

**Leopard**  
parts catalogue

**Leyland**  
**BUS**  
Genuine Parts

# introduction

## replacement parts

When replacement parts are required, it is essential that only 'Leyland Bus Genuine Parts' are used. Attention is particularly drawn to the following points.

Reliability, performance, safety features and corrosion prevention treatments embodied in the vehicle may be impaired if other than 'Leyland Bus Genuine Parts' are fitted. In certain territories, legislation prohibits the fitting of parts not to manufacturers specification.

The terms of the vehicle Warranty may be invalidated by fitting other than 'Leyland Bus Genuine Parts'.

The Parts Catalogue issued by Leyland Bus is the only authorised reference for genuine Leyland Bus parts. To ensure easy and accurate parts identification it is essential that the Chassis Serial Number is used to access the Parts Catalogue.

## non-standard equipment

This catalogue covers standard and commonly used optional equipment as supplied by Leyland Bus Limited.

Any extra special equipment or modifications fitted by the operating company are not covered. It is the responsibility of the operating company to provide information on such equipment.

## specifications

Leyland Bus Limited are constantly seeking to improve the specification, design and production of their vehicles, and alterations take place accordingly.

Whilst every effort has been made to ensure the accuracy of this Publication, it should not be regarded as an infallible guide to current specifications of any particular vehicle. Neither Leyland Bus Limited, nor the supplier of this Publication shall in any circumstances be held liable for any inaccuracy or the consequences thereof.

The information applies to a range of vehicles and not to a specific vehicle.

For the specification of a particular vehicle, users should refer to the relevant Chassis Build Sheet.

## copyright

All rights reserved. No part of this publication may be reproduced, stored in a retrieval system, transmitted or copied in any way without permission from Leyland Bus Limited.

© Leyland Bus Limited 1990

Compiled, published and issued by:  
Product Support Group  
Leyland Bus Limited  
Golden Hill Lane  
Leyland  
Preston  
PR5 1YP

## INTRODUCTION

This Parts Catalogue has been compiled on the loose leaf principle. The basic vehicle specifications have been broken down into Unit sections in which closely associated components are grouped together under a Unit Number.

The various units have been divided into ELEVEN main groups as follows with a thumb index between each.

### UNIT GROUPS

- A - ENGINE
- B - ENGINE MOUNTING, CLUTCH, COOLING, HEATING
- C - GEARBOX, PROPELLER SHAFT, CHANGE SPEED
- D - REAR AXLE, REAR SUSPENSION, REAR WHEELS
- E - FRONT AXLE, FRONT SUSPENSION, FRONT WHEEL, STEERING
- F - BRAKES, BRAKE CONTROLS
- G - FRAME AND FITTINGS, FUEL SYSTEM, AIR SYSTEM
- H - ELECTRICAL SYSTEM
- J - CAB, CAB FITTINGS, SEATING
- K - BODY (PASSENGER VEHICLES)
- P - This group at the rear of the book contains details of spare parts available for certain proprietary assemblies listed in the main groups, e.g. Air Valves, Hydraulic Cylinders.

To check if breakdown parts are available for a proprietary assembly note the part number of the assembly and refer to the INDEX OF PROPRIETARY ASSEMBLIES at the front of GROUP P.

Preceding these is a MASTER INDEX CHART listing all the units applicable to the chassis type.

Minor variations in Units are indicated by the use of an oblique stroke followed by a figure:

e.g. CLUTCH UNIT C.115/6 is a variant of base CLUTCH UNIT C.115.

When a variant is indicated in the MASTER INDEX CHART a 'DIFFERENCE LIST' will appear in front of the base unit.

e.g. DIFFERENCE LIST C.115/6 will precede Unit C.115, and will list the differences between C.115/6 and C.115.

DM001/A29

## INSTRUCTIONS FOR THE USE OF THE PARTS CATALOGUE

First find out in which main group the part or component appears by referring to the Group Index.

Check the unit number using the MASTER INDEX CHART.

Turn to the sub group and identify the correct unit by the unit number in the top right hand corner.

### UNIT AND ASSEMBLY DETAILS

Where a part number is quoted for a complete unit or assembly, the individual components are readily recognisable by the fact that they are displaced to the right in the text below. This may be carried to two or even three 'indents' when components are supplied in various stages of assembly. With this system it is possible to ascertain the individual parts of any assembly that are supplied as spares.

For the information of operators both Home and Overseas, the terms L H (Left Hand) and R H (Right Hand) are used to indicate the position of the parts as seen from the Driver's Seat looking forward.

### ABBREVIATIONS

The following abbreviations may appear in the part number column:

NS - NOT SERVICED

NSS - NOT SUPPLIED SEPARATELY

These are used when it is necessary to illustrate a non serviced item in order to assist in locating a serviced item.

Whilst every effort is made to ensure the accuracy of the particulars contained in this Catalogue, neither the Manufacturer nor the Distributor or Dealer concerned, shall in any circumstances be held liable for any inaccuracies or the consequences thereof.

### NOTE

If it is intended to use the catalogue bound as supplied, the staples, which are used to clip the unit sections, should be removed.

Compiled, printed and issued

by

Technical Publications Department

LEYLAND PARTS

EXAMPLE ONLY - NOT TO BE USED FOR ORDERING PARTS

INDENTATION  
 SUB GROUP  
 ILLUSTRATION PLATE NUMBER  
 REFERENCE NUMBER  
 SPECIFICATION  
 TITLE

ENGINE STANDARD PARTS  
 ESP.62  
 PL 305071  
 P3182

D106/B04

Illust. ref.	Part	Description	Quantity per unit
		Sub Group A.1B	
		MISCELLANEOUS GROUP	
	614789	VALVE oil relief sub assembly	1
1	227771	BODY valve	1
2	602736	VALVE oil relief	1
3	260513	SPRING	1
4	614733	PLUG	1
5	60207	WASHER	1
6	X84441	WASHER	1
7	608845	JOINT oil relief valve	1
8	CWJ1008	COVER front	1
9	234378	JOINT front cover to crankcase	1
		FIXINGS	
	SH405071	SCREW 5/16" B.S.F. x 7/8" ) Oil relief	4
	WL600051	LOCKWASHER 5/16" ) valve	4
	SH405041	SCREW 5/16" B.S.F. ) Venturi	2
	205159	x 1/2" ) breather	2
		WASHER ) facing	2
	BH405071	BOLT 5/16" B.S.F. ) Front cover	4
	WS600051	x 7/8" ) to crankcase	4
		WASHER 5/16" spring )	4

TP/LE/0179\*

Always quote Chassis No. when ordering parts

A1B.1

PAGE NUMBER  
 DATE OF COMPILATION  
 AE - AEC  
 LE - LEYLAND  
 LN - LEYLAND NATIONAL  
 GU - GUY  
 TECHNICAL PUBLICATIONS

FASTENERS CODING SYSTEM  
PART IDENTIFICATION LETTER REFERENCE CODE

Standard fasteners have a part number comprising 2 prefix letters and a 6 digit number.

The prefix letters identify the specific type of fastener and the following list gives a basic alphabetical index of these identifying letters.

Fastener descriptions in the parts lists are limited to basic type and reference should be made to this list if further details are required.

- AB Screw, self-tapping, recessed pan head, type AB thread/point
- AC Screw, self-tapping, recessed countersunk head, type AB thread/point
- AD Screw, self-tapping, recessed raised countersunk head, type AB thread/point
  
- AJ Nut spring
- AK Nut spring
- AL Nut spring
- AM Nut spring
  
- BH Bolt, hexagon head, precision (medium tensile)
- BP Bolt, hexagon head, pointed (medium tensile)
- BT Bolt, short-threaded, hexagon head, precision (medium tensile)
- BU Bolt, short-threaded, hexagon head, high tensile
- BW Bolt, weld (often termed weld screws)
- BX Bolt, hexagon head, high tensile
  
- CA Clip, hose - Wire type (Type A)
- CB Clip, hose - Band type (Type B)
- CC Clip, hose - Band type (Type C)
- CJ Clip, hose - Worm drive type
- CW Clip, wiring or pipe (for welding)
  
- GC Grub screw, slotted (cone point end - 118°)
- GN Grub screw, slotted (cone point end - 90°)
- GP Grub screw, slotted (cup point end - 118°)
- GS Grub screw, slotted (spherical radius end)
  
- KA Key, parallel, Form A (rounded ends)
- KB Key, parallel, Form B (plain ends)
- KC Key, parallel, Form C (one rounded end, one plain end)
  
- NA Nut, wing (cold forged)
- NB Nut, wing (hot stamped or cast)
- NC Nut, hexagon castle
- ND Nut, hexagon slotted (thick)
- NF Nut, clinch (locating type)
- NG Nut, weld, square type
- NH Nut, plain hexagon (normal)
- NJ Nut, retainer
- NK Nut, grip
- NL Nut, hexagon slotted (normal)

NM Nut, machine screw, hexagon head  
 NN Nut, blind anchor (Nutsert type)  
 NP Nut, pierce (piercenut)  
 NR Nut, plain hexagon (thick)  
 NS Nut, machine screw, square head  
 NT Nut, plain hexagon (thin)  
 NV Nut, deformed thread  
 NW Nut, weld, hexagon type  
 NY Nut, nylon insert  
 NZ Nut, nylon insert (thin)

PA Pin, spring, slotted type ) Often termed  
 PB Pin, spring, coiled type ) tension pins  
 PC Pin, clevis  
 PS Pin, split cotter (mild steel type)

RB Rivet, bifurcated, ordinary oval head  
 RC Rivet, solid, countersunk head, 90°  
 RD Rivet, solid, countersunk head, 60°  
 RE Rivet, solid, for friction linings  
 RF Rivet, solid, flat head  
 RG Rivet, solid, countersunk head, 120°  
 RL Rivet, tubular, for friction linings  
 RM Rivet, solid, mushroom head  
 RR Rivet, solid, round or snap head  
 RS Rivet, special head, for friction linings  
 RT Rivet, semi-tubular, oval head

SA Screw, machine, slotted countersunk head  
 SB Screw, hexagon socket button head  
 SC Screw, machine, slotted cheese head  
 SD Screw, machine, slotted raised countersunk head  
 SE Screw, machine, recessed pan head  
 SF Screw, machine, recessed countersunk head  
 SG Screw, machine, recessed raised countersunk head  
 SH Screw, hexagon head precision, medium tensile  
 SJ Screw, hexagon socket countersunk head  
 SK Setscrew, hexagon socket (cup point)  
 SL Screw, Taptite, recessed pan head  
 SM Screw, Taptite, recessed countersunk head  
 SN Screw, Taptite, indented washer hexagon head  
 SP Screw, machine, slotted pan head  
 SR Screw, hexagon head, pointed, medium tensile  
 SS Screw, cap, hexagon socket head  
 ST Setscrew, hexagon socket (cone point)  
 SU Setscrew, hexagon socket (flat point)  
 SV Setscrew, hexagon socket (dog point)  
 SW Screw, machine, slotted raised cheese head  
 SX Screw, hexagon head, high tensile  
 SY Screw, machine, recessed raised cheese head

TD Stud, precision (Metal end thread length = 1d)  
 TE Stud, precision (Metal end thread length = 1½d)  
 TF Stud, high tensile (Metal end thread length = 1d)  
 TG Stud, high tensile (Metal end thread length = 1½d)

- WA Washer, plain, steel (Form A)-Normal outside diameter, normal thickness range
- WB Washer, plain, steel (Form B)-Normal outside diameter, light thickness range
- WC Washer, plain, steel (Form C)-Large outside diameter, normal thickness range
- WD Washer, plain, steel (Form D)-Large outside diameter, light thickness range
- WE Washer, shakeproof, multi-tooth type, external teeth
- WF Washer, shakeproof, multi-tooth type, internal teeth
- WL Washer, lock, steel, single coil, rectangular section
- WM Washer, lock, steel, single coil, square section
- WS Washer, spring, steel (double coil)

Washer mounting

Washer

Radiator piping

Washer mounting

Washer fan shaft

Washer fan drive

Washer

Speedometer Drive

Propeller shaft

Change speed

Washer mounting

Washer axle

Washer wheel

Washer spring

Washer axle

Washer gear

Washer steering equipment

Washer link

Washer wheel

Washer spring

Washer shock absorber

Washer brake

Washer

Washer equipment

Washer gear

Washer tack

Washer piping

Washer piping

Washer piping

Washer and exhaust

Washer wheel carrier

Washer wheel

Washer lubrication

Washer index

Washer parts index

## SERVICE PARTS LIST

Customer: United Counties

Sales Order: 00475

MODEL	PSU3G/4R	CHASSIS No.	DATE DELIVERED
Group	Description	Unit	PL Number
A	Engine Index	EO.680/4011/1	309468
A12	Engine air filter	EAF.347	To follow
A12A	Sundries & finishes engine	SFE.1	308163
B1	Clutch	C.66B	101120
B3	Engine mounting	ME.133	200746
B4	Radiator	R.481	To follow
B5	Radiator piping	RP.508	To follow
B7	Dynamo mounting	DM.32/1	301153/1
B9	Dynamo fan shaft	DFS.23	200845
B10	Dynamo fan drive	DFD.34	To follow
C1	Gearbox	GB.350D	100826/D
C3	Speedometer drive	SD.461	To follow
C4	Propeller shaft	PS.517A	102462
C6	Change speed	CS.143/1	101472/1
C11	Gearbox mounting	GBM.33	102234
D1	Rear axle	BA.2058/1	To follow
D2	Rear wheel	RW.211/134	301816
D3	Rear spring	RS.329	105168
E1	Front axle	FA.719/2	To follow
E2	Steering gear	SG.474/1	To follow
E3	Power steering equipment	PSE.327	To follow
E4	Drag link	DL.216	To follow
E5	Front wheel	FW.211/125	103255
E6	Front spring	FS.290B	107256
E7	Front shock absorber	FSA.43	105098
F2	Footbrake	FB.926/3	305271/3
G1	Frame	F.1840/11	To follow
G4	Chassis equipment	CE.675	301639
G5	Control gear	CG.408	302781
G7	Fuel tank	OT.317/1	200263/1
G8	Fuel piping	PF.323	200850
G9	Exhaust piping	PE.162	104570
G10	Air piping	PA.1068/7	305267/7
G12	Silencer and exhaust	SE.274/3	104571/3
G14	Spare wheel carrier	SWC.230	107312
G19	Spare wheel	SW.211/64	103260
G25	Chassis lubrication	CL.506/2	To follow
H	Electrical index	EC.2354/14	To follow
P	Proprietary parts index		Refer Index

**A - ENGINE**

D437/B05

ENGINE  
EO.680/4011/1  
PL 309468

INDEX  
of Units for  
LEYLAND ENGINE EO.680/4011/1  
Rating: 185 bhp at 2,200 rev/min

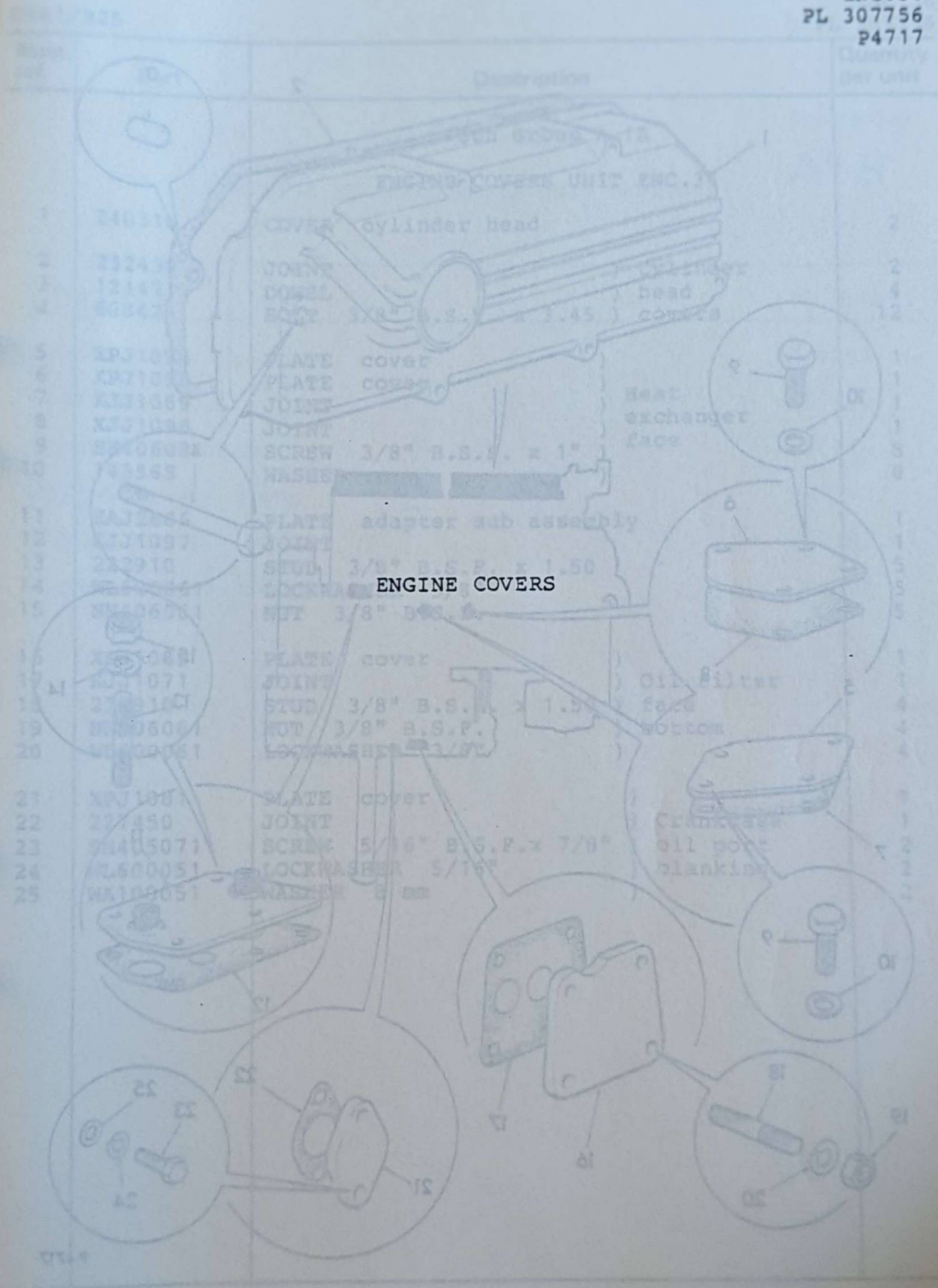
Group

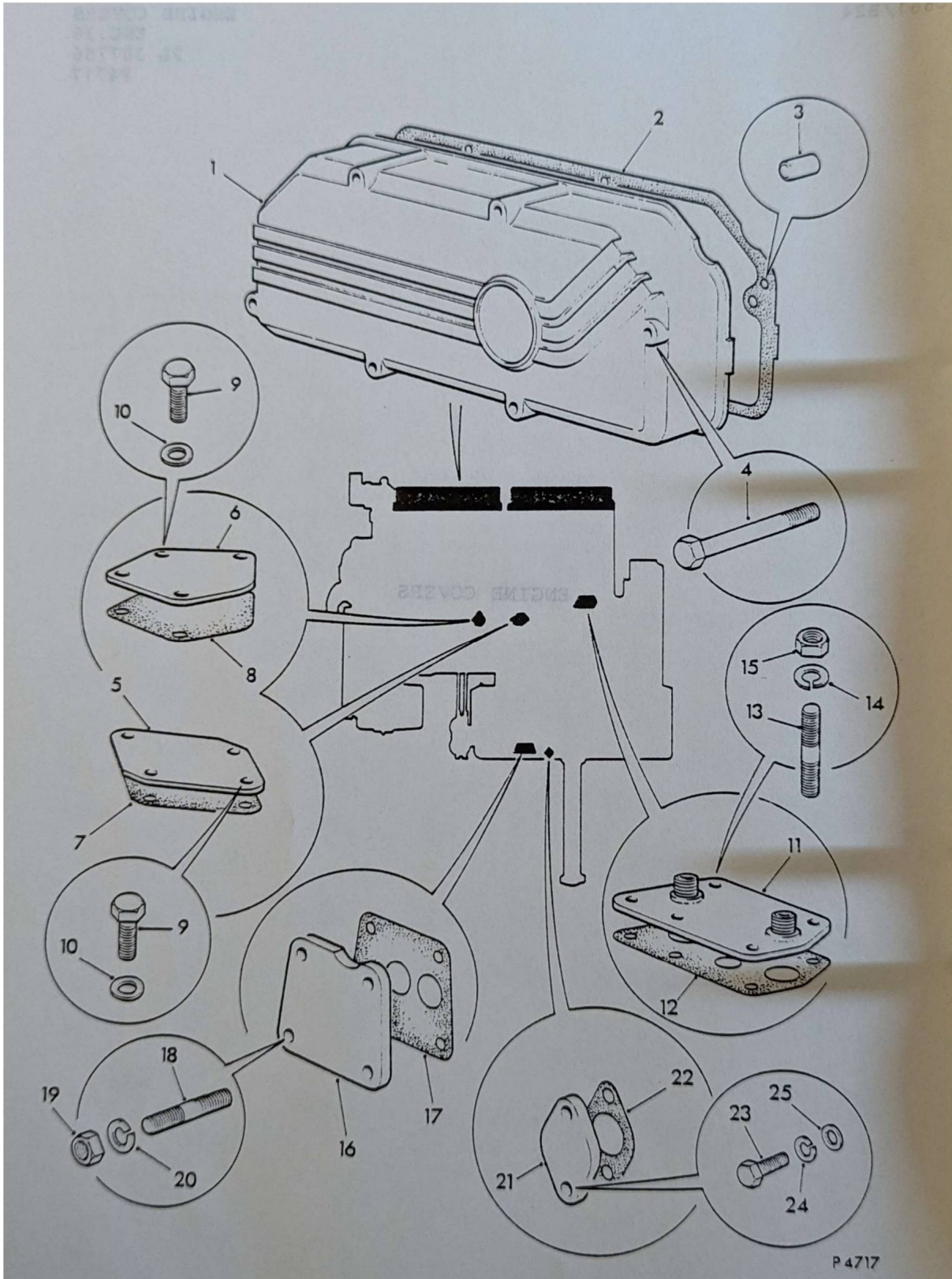
**A**

Sub Group	Description	Unit	PL Number
A1A	Engine covers	ENC.36	307756
A1B	Engine standard parts	ESP.186	307783
A2A	Engine manifolds	EMN.99	307755
A3A	Pulley and damper	EPD.4	200490
A3B	Flywheel housing	FH 8/10	200499/10
A5	Timing case	ETC.146	308157
A6A	Sump and oil pump	ESOP.93	308158
A7	Water pump	EWP.253/3	307758/3
A9B	Engine pump controls	EPC.91	308159
A10A	Fuel injection equipment	FIE.148/2	308160/2
A11	Compressor	ECR.127	200502
A13	Oil filter	EOF.119	307759
A16	Starter motor	SM.142	200497
A26	Sundries and finishes	ESF.54	308161
	Gasket kits	Part	
	Overhaul ... ..	10906989	
	Decarbonisation ...	10906988	

D661/B24

ENGINE COVERS  
ENC. 36  
PL 307756  
P4717





D661/B25

ENGINE COVERS  
ENC.36  
PL 307756

Illust. ref.	Part	Description	Quantity per unit
Sub Group A.1A			
ENGINE COVERS UNIT ENC.36			
1	240316	COVER cylinder head	2
2	232430	JOINT ) Cylinder	2
3	121421	DOWEL ) head	4
4	608421	BOLT 3/8" B.S.F. x 3.45 ) covers	12
5	XPJ1094	PLATE cover )	1
6	XPJ1095	PLATE cover )	1
7	XJJ1069	JOINT ) Heat	1
8	XJJ1096	JOINT ) exchanger	1
9	SH406081	SCREW 3/8" B.S.F. x 1" ) face	8
10	145565	WASHER )	8
11	HAJ2606	PLATE adapter sub assembly	1
12	KJJ1097	JOINT	1
13	222910	STUD 3/8" B.S.F. x 1.50	5
14	WL600061	LOCKWASHER 3/8"	5
15	NH406061	NUT 3/8" B.S.F.	5
16	XPJ1089	PLATE cover )	1
17	KJJ1071	JOINT ) Oil filter	1
18	222910	STUD 3/8" B.S.F. x 1.50 ) face	4
19	NH406061	NUT 3/8" B.S.F. ) bottom	4
20	WL600061	LOCKWASHER 3/8" )	4
21	XPJ1081	PLATE cover )	1
22	227450	JOINT ) Crankcase	1
23	SH405071	SCREW 5/16" B.S.F. x 7/8" ) oil port	2
24	WL600051	LOCKWASHER 5/16" ) blanking	2
25	WA108051	WASHER 8 mm )	2

TP/LE/0181\*

Always quote Chassis No. when ordering parts

A1A.3

D662/B14

ENGINE STANDARD PARTS  
ESP.186  
PL 307783

INDEX  
of Units for  
ENGINE STANDARD PARTS UNIT ESP.186

Sub Group

**A1B**

---

Description	PL Number
Crankcase group	307784
Camshaft group	307859
Crankshaft group	307860
Cylinder head group	307787
Piston group	307788
Miscellaneous group	307789

---

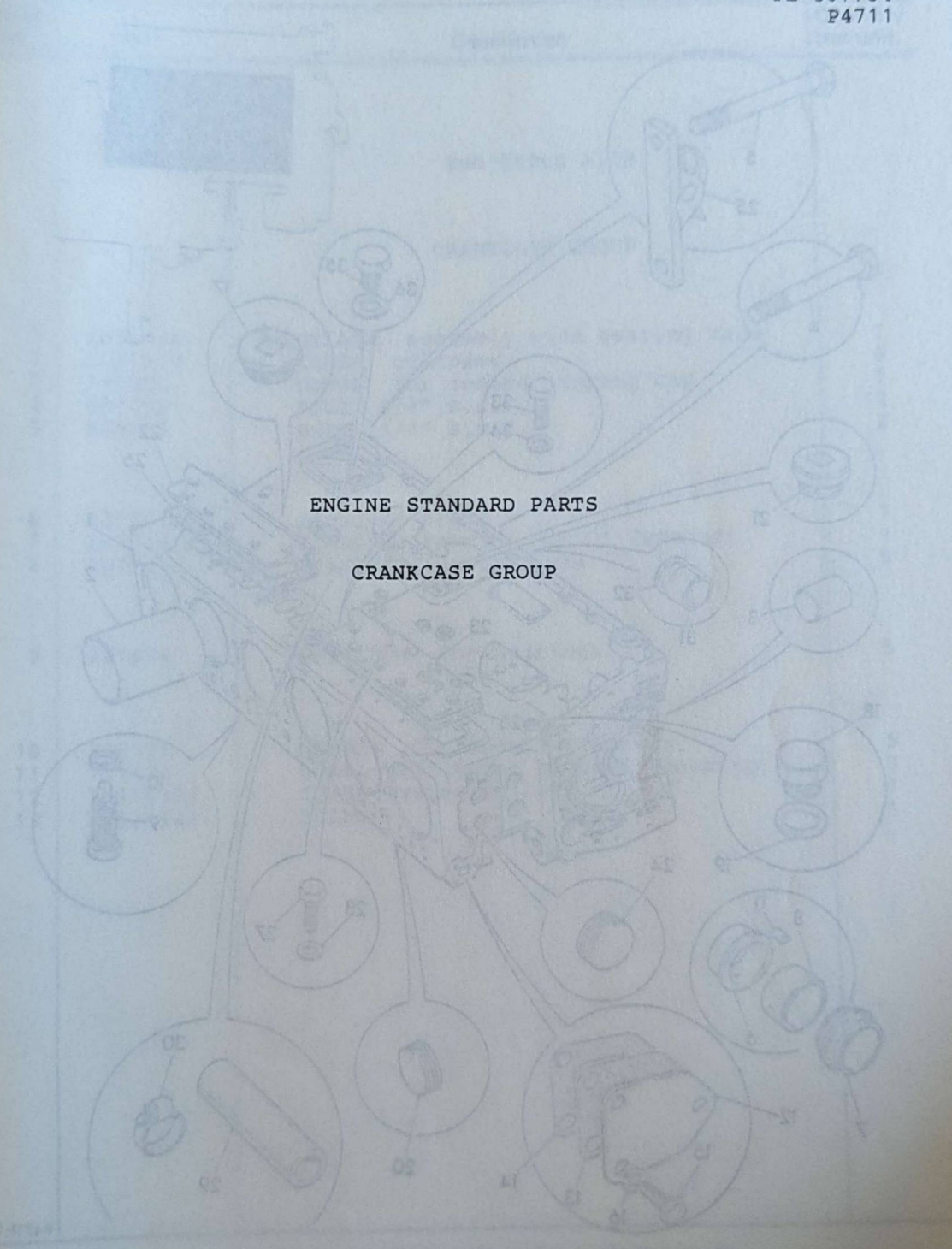
ENGINE STANDARD PARTS  
CRANKCASE GROUP

TP/LN/0181\*

A1B.1

D662/A26

ENGINE STANDARD PARTS  
ESP.186  
PL 307784  
P4711

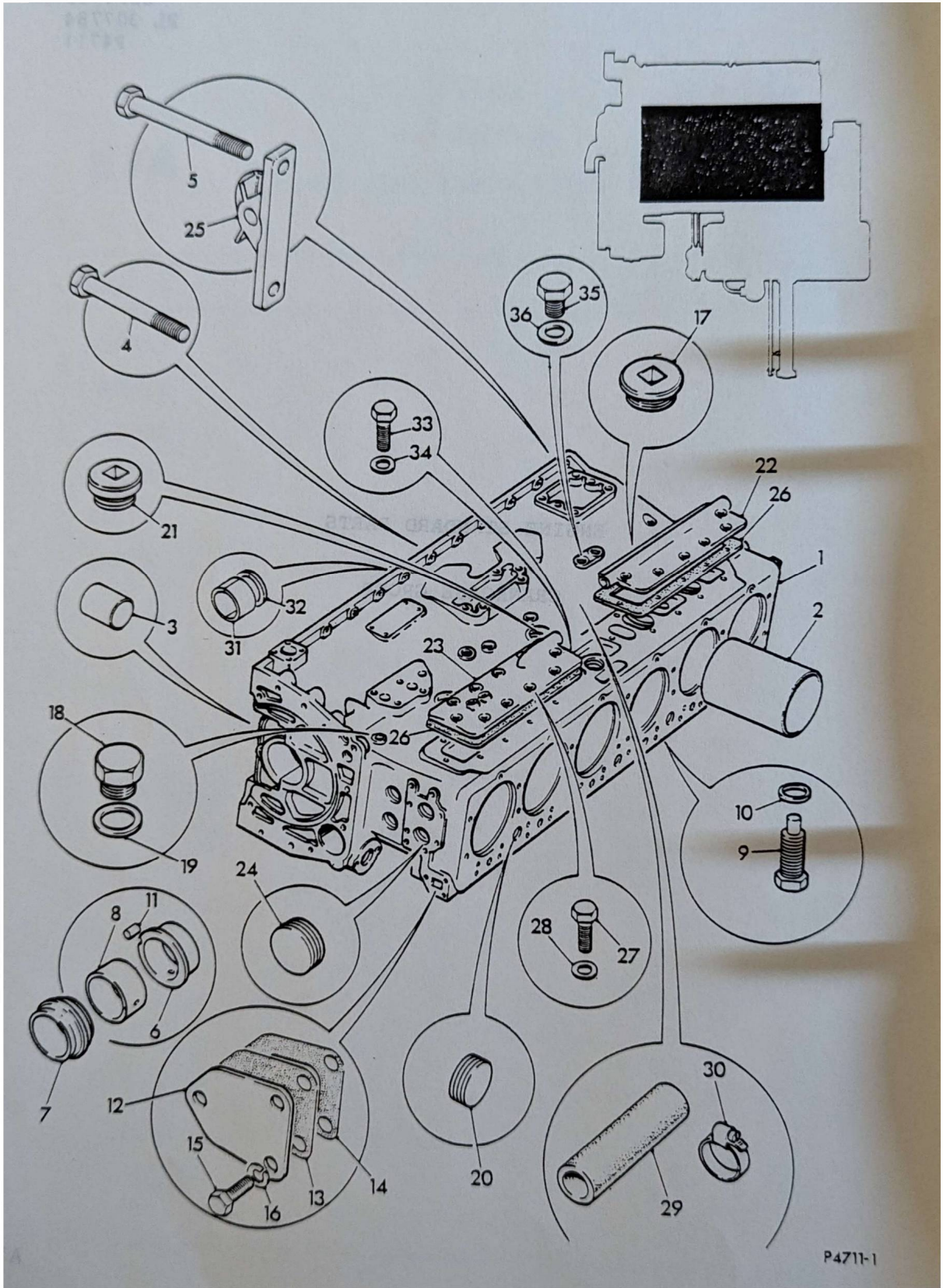


ENGINE STANDARD PARTS

CRANKCASE GROUP

TP/LN/0583

A1B.1



D662/A27

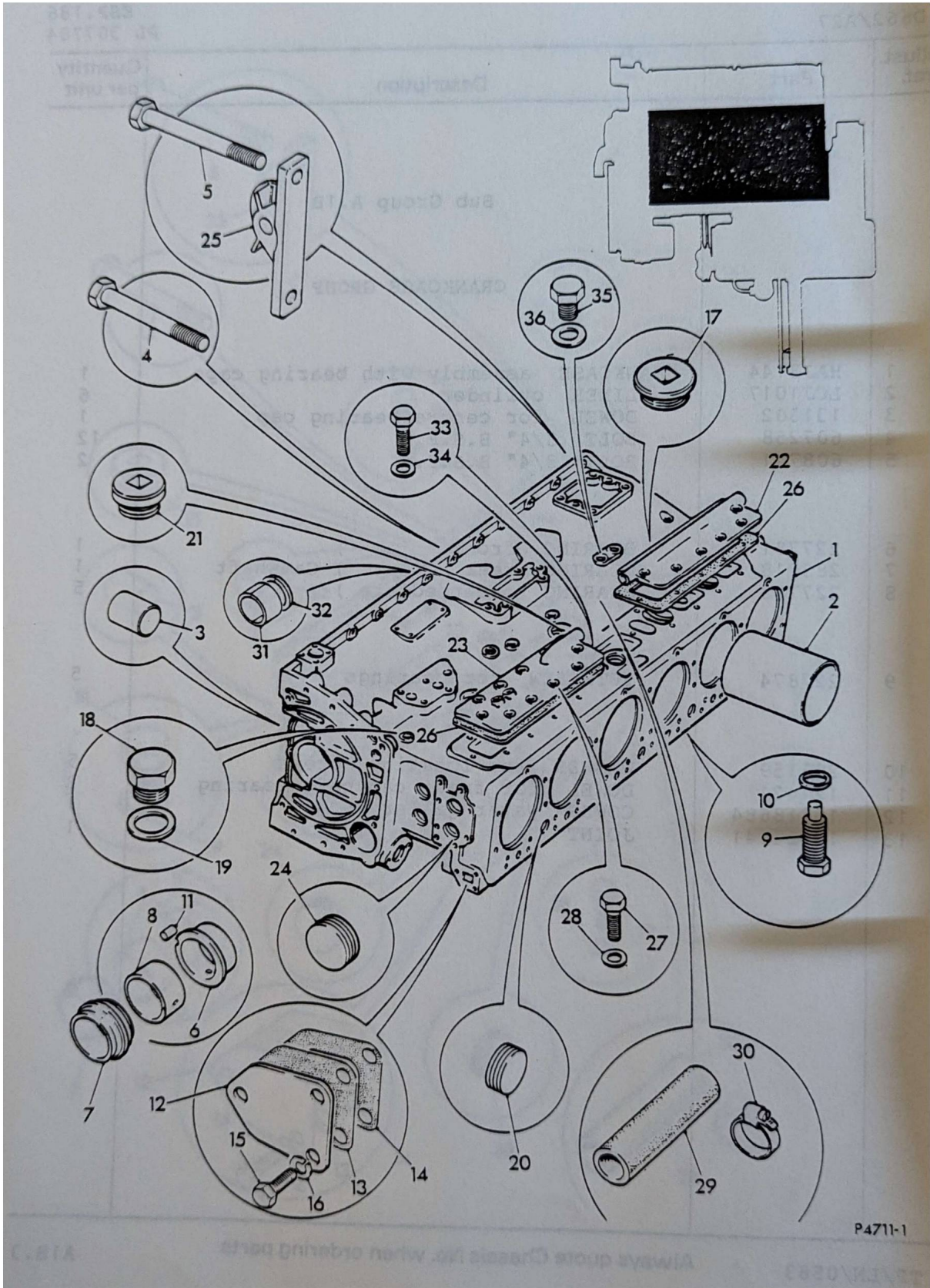
ENGINE STANDARD PARTS  
ESP.186  
PL 307784

Illust. ref.	Part	Description	Quantity per unit
		Sub Group A.1B	
		CRANKCASE GROUP	
1	HAJ3144	CRANKCASE assembly with bearing caps	1
2	LCJ1017	LINER cylinder	6
3	131302	DOWEL for centre bearing cap	1
4	607258	BOLT 3/4" B.S.F.	12
5	608741	BOLT 3/4" B.S.F.	2
6	227781	BEARING front )	1
7	283718	BEARING rear ) Camshaft	1
8	227783	BEARING intermediate )	5
9	227874	SETSCREW for bearings	5
10	205159	WASHER for locating screws	5
11	121421	DOWEL for front camshaft bearing	3
12	10618684	COVER water gallery	1
13	10624641	JOINT	1

TP/LN/0583

Always quote Chassis No. when ordering parts

A1B.3



D662/A28

## ENGINE STANDARD PARTS

ESP.186

PL 307784

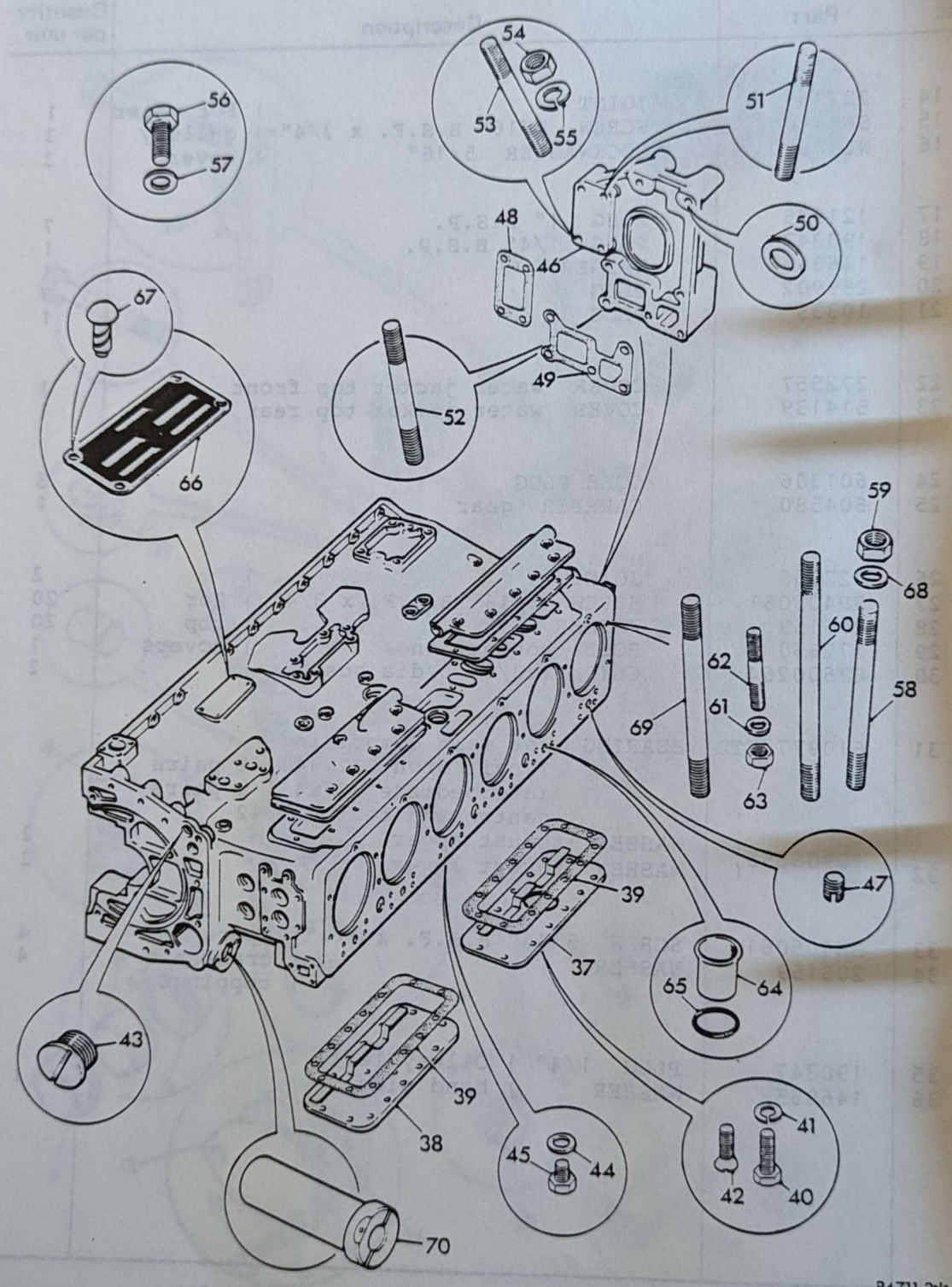
Illust. ref.	Part	Description	Quantity per unit
14	227753	JOINT ) For water	1
15	SH405061	SCREW 5/16" B.S.F. x 3/4" ) gallery	3
16	WL600051	LOCKWASHER 5/16" ) cover	3
17	121975	PLUG 1" B.S.P.	7
18	190347	PLUG 1/4" B.S.P.	1
19	146855	WASHER	1
20	289902	PLUG	3
21	10335	PLUG	1
22	272557	COVER water jacket top front	1
23	514139	COVER water jacket top rear	1
24	601306	CORE PLUG	5
25	604580	CARRIER gear	1
26	227855	JOINT )	2
27	SH405061	SCREW 5/16" B.S.F. x 3/4" ) For	20
28	205159	WASHER ) top	20
29	272650	HOSE connection ) covers	1
30	CJ600264	CLIP 1.3/8" o/dia hose )	2
31	610977/STD	BEARING set main comprising: 1 pair front 227840, 4 pairs intermediate 227841, 2 pairs centre and rear 227842	
32	10906555 (	WASHER thrust upper	2
	(	WASHER thrust lower	2
33	SH405061	SCREW 5/16" B.S.F. x 3/4" ) Spare	4
34	205159	WASHER ) crankcase	4
		) toppings	
35	190347	PLUG 1/4" ) Oilway left	1
36	146855	WASHER ) hand side	1

TP/LN/0583

Always quote Chassis No. when ordering parts

A1B.5

Always quote chassis No. when ordering parts  
P4711-2\*

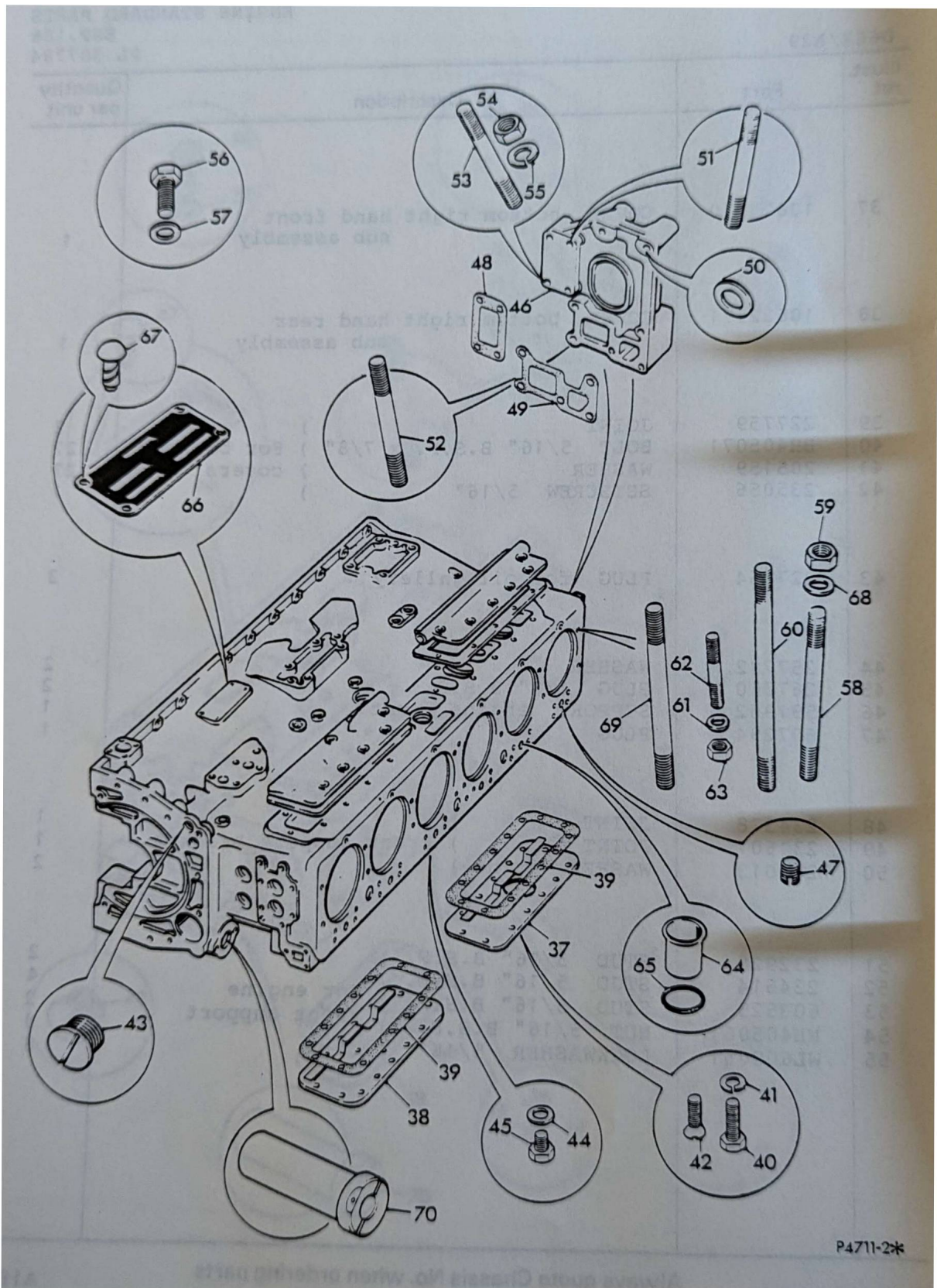


P4711-2\*

ENGINE STANDARD PARTS  
ESP.186  
PL 307784

D662/A29

Illust. ref.	Part	Description	Quantity per unit
37	10622570	COVER bottom right hand front sub assembly	1
38	10622571	COVER bottom right hand rear sub assembly	1
39	227759	JOINT )	2
40	BH405071	BOLT 5/16" B.S.F. x 7/8" ) For bottom	27
41	205159	WASHER ) covers	27
42	235056	SETSCREW 5/16" )	1
43	227864	PLUG for oil gallery	3
44	257782	WASHER	2
45	267350	PLUG 1/8" B.S.P.	2
46	591962	SUPPORT engine front	1
47	607294	PLUG	1
48	234378	JOINT )	1
49	231607	JOINT ) Front support bracket	1
50	243013	WASHER joint )	2
51	232928	STUD 5/16" B.S.F. )	2
52	234614	STUD 5/16" B.S.F. )	4
53	603525	STUD 5/16" B.S.F. ) For engine	2
54	NH405061	NUT 5/16" B.S.F. ) front support	8
55	WL600051	LOCKWASHER 5/16" )	8



D662/A30

ENGINE STANDARD PARTS  
ESP.186  
PL 307784

Illust. ref.	Part	Description	Quantity per unit
56	SH405041	SCREW 5/16" B.S.F. ) Venturi x 1/2" ) breather	2
57	205159	WASHER joint ) face	2
58	NAJ1325	STUD 5/8" B.S.F. )	26
59	NAJ1254	NUT 5/8" B.S.F. )	34
60	NAJ1326	STUD 5/8" B.S.F. )	2
61	CBL5048	WASHER 7/16" )	12
62	NDJ1047	STUD 7/16" B.S.F. ) For cylinder	12
63	CBL3569	NUT 7/16" B.S.F. ) head	12
64	613420	FERRULE )	6
65	CBL6805	O-RING )	6
66	613874	PLATE serial engine )	1
67	AU604041	SCREW )	4
68	NAJ1300	WASHER )	34
69	NAJ2121	STUD 5/8" B.S.F. )	6
CAMSHAFT GROUP			
70	326020	BUSH for oil pump drive shaft	1

TP/LN/0583\*

Always quote Chassis No. when ordering parts

A1B.9

D662/B18

ENGINE STANDARD PARTS  
 ESP.186  
 PL 307859  
 P4614

D662/B18

Quant. req.	Part	Description	Per unit
		SOB GROUP A-18	
		CAMSHAFT GROUP	
1	10322295	CAMSHAFT and assembly	1
2	10322294	GEAR driving oil pump	1
3	563162	GEAR driving camshaft	1
4	227112	BOLT (7/16" S.S.F.) for gears to	4
5	227113	WASHER tab	2
6	227715	WASHER	1
7	242607	SKIN	1
8	226613	BOLT 3/8" S.S.F.	4
9	WF600061	LOCKWASHER	4
10	232482	GEAR intermediate	1
11	233364	ROSK	1
12	234853	SPINDLE idler	1
13	234854	BOLT	1
14	234855	NUT	1
15	234856	WASHER	1
16	233365	WASHER	1
17	PS606091	SPLIT PIN 3/16" x 1.125"	1
18	234879	PLUG )	1
19	234878	DOWEL ) Camshaft	1
20	234880	ROD push	1
21	234881	ROD push	1

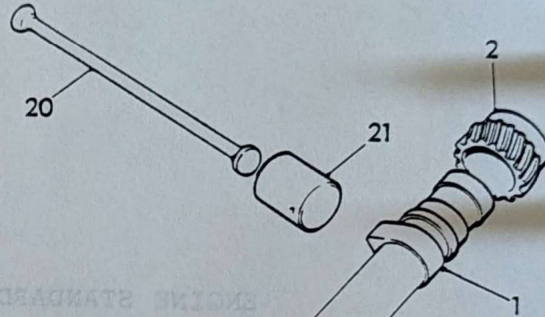
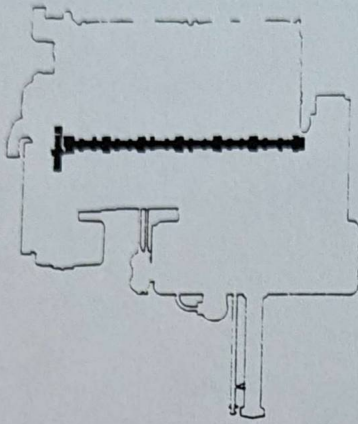
ENGINE STANDARD PARTS

CAMSHAFT GROUP

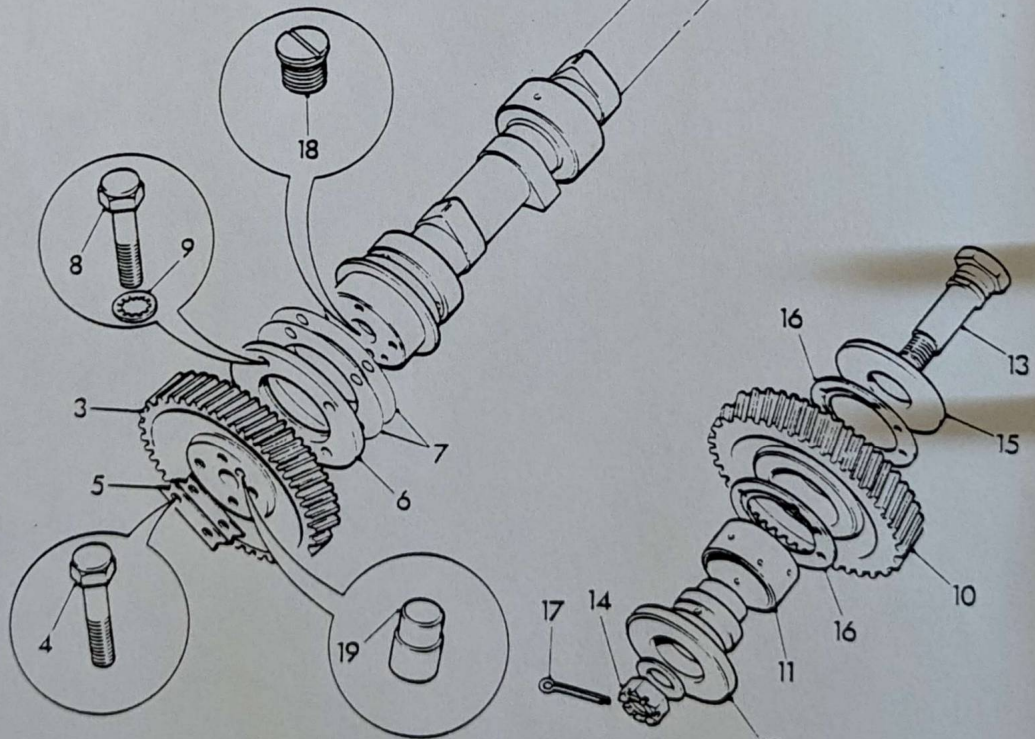
TP/LN/0181

Always quote Chassis No. when ordering parts

A1B.1



ENGINE STANDARD PARTS  
CAMSHAFT GROUP



D662/B19

Illust. ref.	Part	Description	Quantity per unit
		Sub Group A.1B	
		CAMSHAFT GROUP	
1	10332295	CAMSHAFT sub assembly	1
2	10332294	GEAR driving oil pump	1
3	568662	GEAR driving camshaft	1
4	238832	BOLT 7/16" B.S.F.) For gears to	4
5	227776	WASHER tab ) camshaft	2
6	227775	WASHER thrust	1
7	242667	SHIM	as reqd
8	236513	BOLT 3/8" B.S.F.	4
9	WF600061	LOCKWASHER 3/8"	4
10	232482	GEAR intermediate	2
11	233364	BUSH	2
12	234853	SPINDLE idler	2
13	234854	BOLT	2
14	234855	NUT	2
15	234856	WASHER	2
16	233365	WASHER thrust	4
17	PS606091	SPLIT PIN 3/32" x 1.1/8"	2
18	234379	PLUG ) Camshaft	1
19	602170	DOWEL )	1
20	227750	ROD push	12
21	227751	TAPPET	12

D662/B22

ENGINE STANDARD PARTS

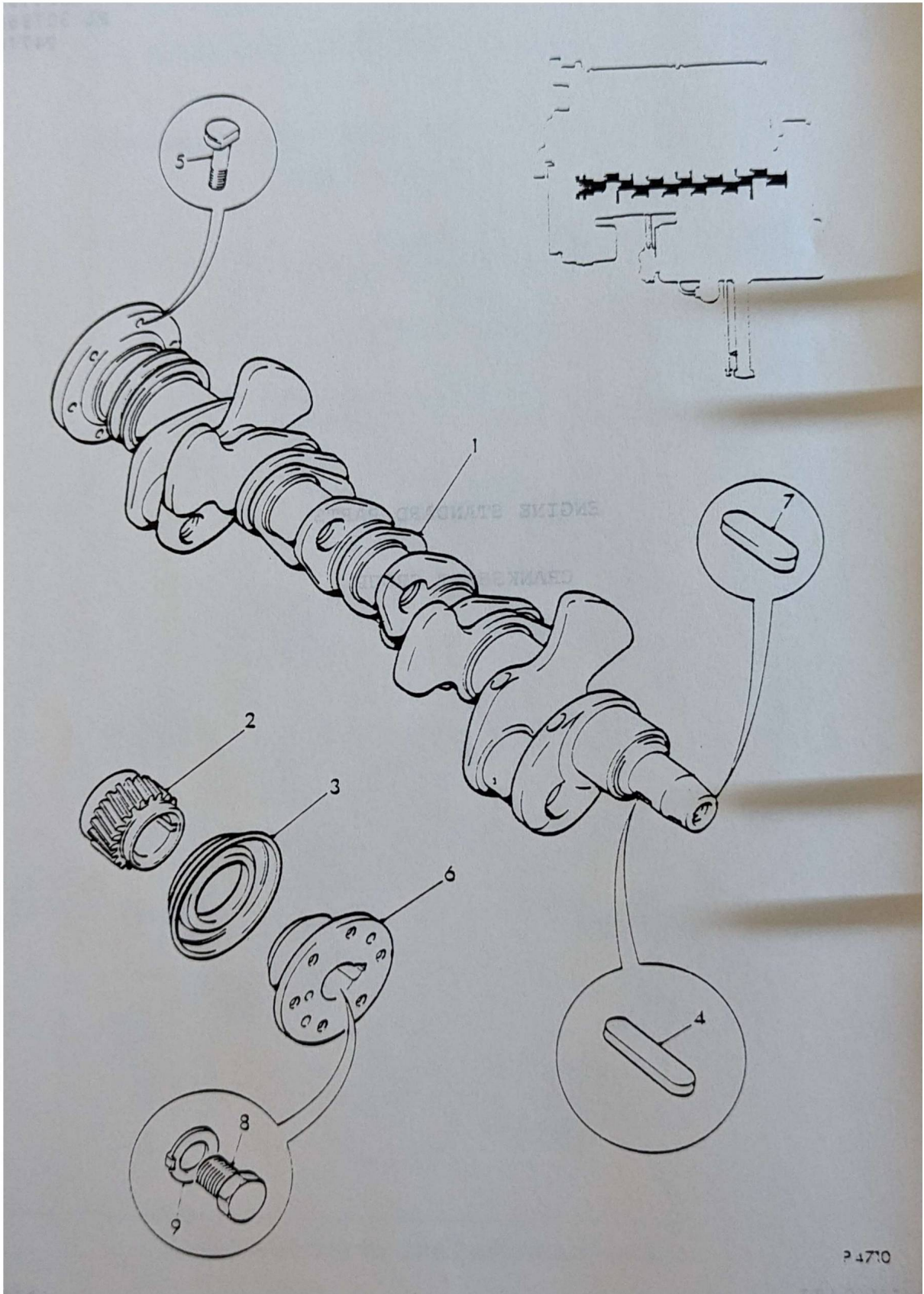
ESP.186  
PL 307860  
P4710

D662/B22

Sheet ref.	Part	Description	Quantity per unit
		Sub Group A.13	
		CRANKSHAFT GROUP	
1	10622050	CRANKSHAFT	1
2	227788	GEAR timing	1
3	2324204	THROWER oil	1
4	WAS1757	KEY timing gear	1
5	133709	BOLT 5/8" B.S.F. x 1.1/2" 1 to cranks	6
6	519083	FLANGE driving	1
7	CRK3819	KEY	1
8	518420	BOLT driving flange	1
9	309375	WASHER	1

ENGINE STANDARD PARTS

CRANKSHAFT GROUP



ENGINE STANDARD PARTS  
 ESP.186  
 PL 307860

D662/B23

Illust. ref.	Part	Description	Quantity per unit
		Sub Group A.1B	
		CRANKSHAFT GROUP	
1	10622853	CRANKSHAFT	1
2	227789	GEAR timing	1
3	232480	THROWER oil	1
4	NAJ1757	KEY timing gear	1
5	133709	BOLT 5/8" B.S.F. x 1.1/2" flywheel to crankshaft	6
6	529065	FLANGE driving	1
7	CBL3610	KEY )	1
8	518424	BOLT ) Driving flange	1
9	509375	WASHER )	1

TP/LN/0181\*

Always quote Chassis No. when ordering parts

A1B.3

Part No.	Part	Description
----------	------	-------------

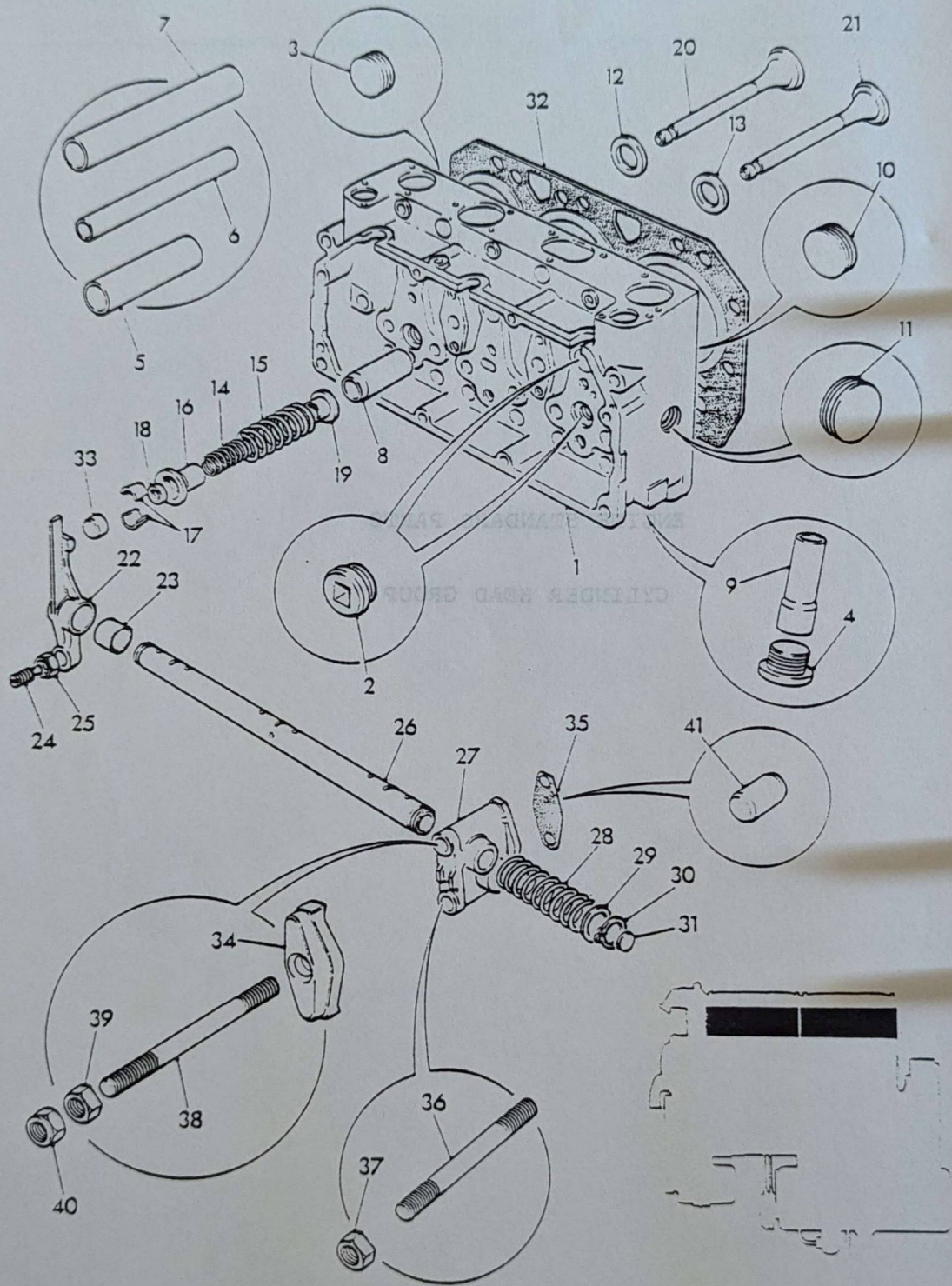


ENGINE STANDARD PARTS

CYLINDER HEAD GROUP

12	0831005	SEAT inlet valve
13	0831010	SEAT exhaust valve
14	0831533	SPRING valve inlet
15	0831532	SPRING valve outlet
16	600745	COLLAR valve spring
17	236541	CONE valve spring
18	190832	SEAL valve
19	600745	COLLAR
20	600532	VALVE
21	0831005	VALVE exhaust

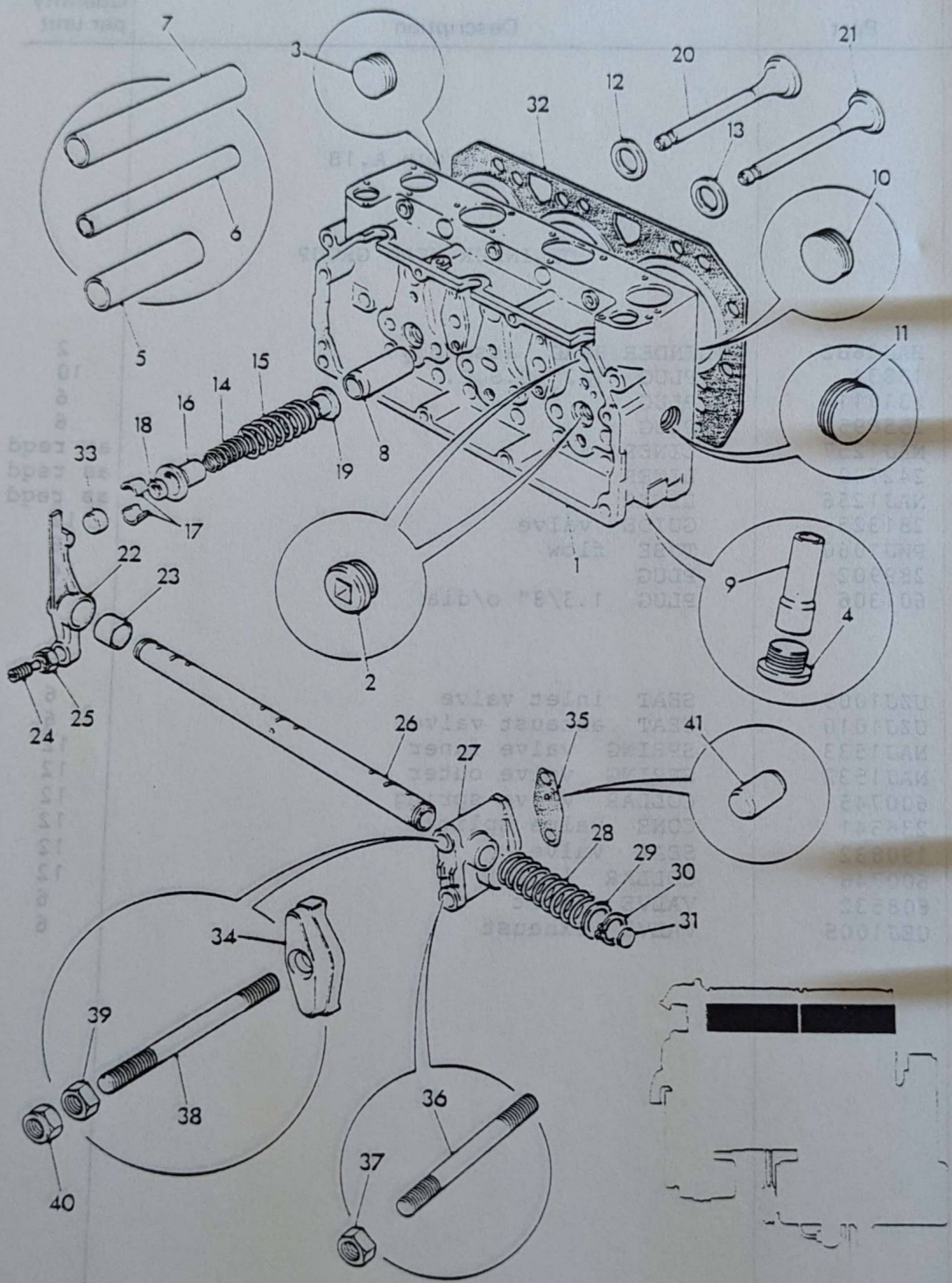
ENGINE STANDARD PARTS  
191-192  
PART 24  
P4709



P4709

D662/B08

Illust. ref.	Part	Description	Quantity per unit
Sub Group A.1B			
CYLINDER HEAD GROUP			
1	H AJ2682	CYLINDER HEAD assembly	2
2	13834	PLUG 1/2" B.S.P.	10
3	X31911	PLUG	6
4	255695	PLUG	6
5	NAJ1257	LINER	as reqd
6	242709	LINER	as reqd
7	NAJ1256	LINER	as reqd
8	281325	GUIDE valve	12
9	PWJ1060	TUBE flow	6
10	289902	PLUG	14
11	601306	PLUG 1.3/8" o/dia	2
12	UZJ1009	SEAT inlet valve	6
13	UZJ1010	SEAT exhaust valve	6
14	NAJ1533	SPRING valve inner	12
15	NAJ1532	SPRING valve outer	12
16	600745	COLLAR valve spring	12
17	236541	CONE valve split	12
18	190832	SEAL valve	12
19	600746	COLLAR lower	12
20	608532	VALVE inlet	6
21	UEJ1005	VALVE exhaust	6



D662/B09

ENGINE STANDARD PARTS  
ESP.186  
PL 307787

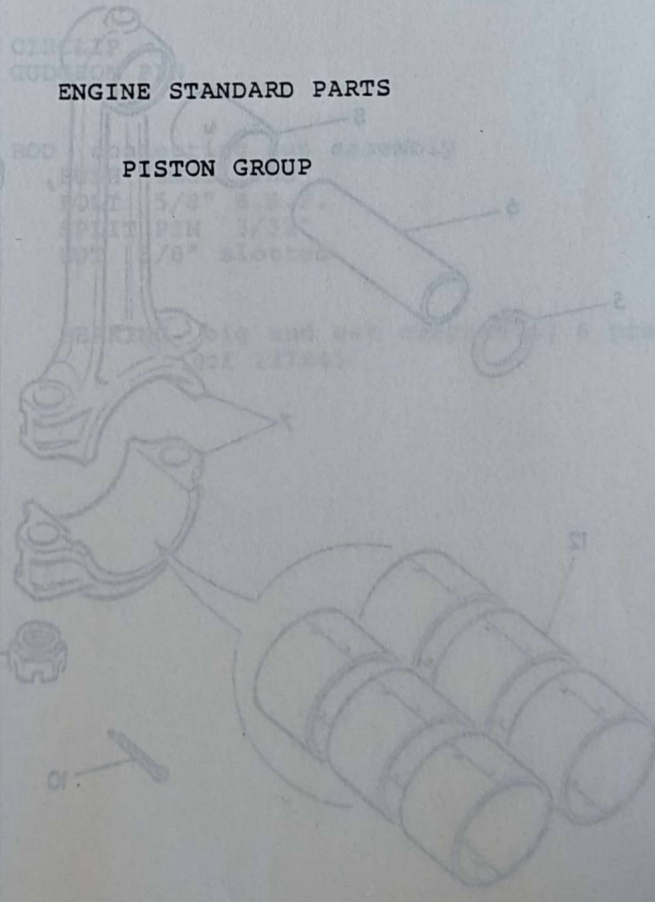
Illust. ref.	Part	Description	Quantity per unit
22	246048	LEVER rocker sub assembly	12
23	223256	BUSH rocker lever	12
24	227737	ADJUSTER ball end	12
25	227738	LOCKNUT	12
26	10622522	SHAFT rocker	2
27	NAJ1249	BRACKET rocker shaft	6
28	60166	SPRING	4
29	10617715	WASHER for springs	12
30	219072	CIRCLIP	4
31	60207	WASHER	4
32	NAJ1255	GASKET cylinder head	2
33	315440	CAP valve	12
34	231613	CLAMP	6
35	227913	JOINT )	6
36	227763	STUD 1/2" B.S.F. ) For rocker	6
37	NH408061	NUT 1/2" B.S.F. ) bracket	6
38	231614	STUD 1/2" B.S.F. ) Rocker bracket	6
39	NH408061	NUT 1/2" B.S.F. ) and nozzle	6
40	227761	NUT special ) clamps	6
41	121421	DOWEL for rocker bracket	2

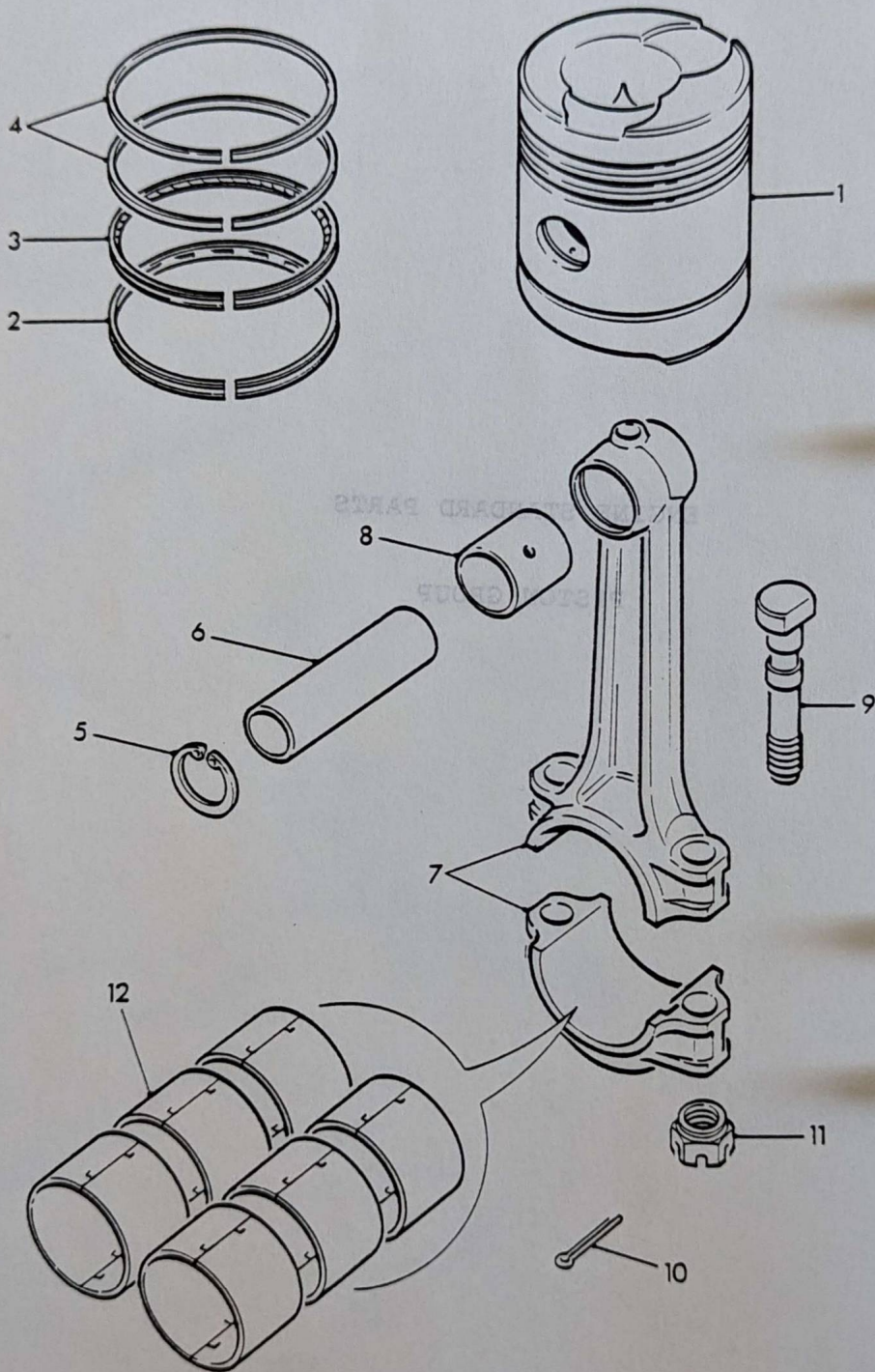
TP/LN/0181\*

Always quote Chassis No. when ordering parts

A1B.5

Part No.	Part	Description	Quantity per Unit
		Sub Group A1B	
		PISTON GROUP	
10489131	PISTON sub assembly (kit)		
281253	PISTON		
281253	Ring scraper		
811533	RING oil control		
		RING 1st and 2nd groove	
310674	CIRCLIP		
291416	GUIDE PIN		
<b>ENGINE STANDARD PARTS</b>			
		ROD sub assembly	
		<b>PISTON GROUP</b>	
227866	BOLT 5/8" x 2 1/2"		
227835	SPLIT PIN 3/32"		
227828	BOLT 5/8" slotted		
811572	WASHER 5/16" and 3/4" dia		





D662/B12

ENGINE STANDARD PARTS  
ESP.186  
PL 307788

Illust. ref.	Part	Description	Quantity per unit
		Sub Group A.1B	
		PISTON GROUP	
1	10889131 NSS	PISTON sub assembly (kit)	6
2	281283	PISTON	6
3	HBJ2525	RING scraper	6
4	611533	RING oil control	6
		RING 1st amd 2nd grooves	12
5	116674	CIRCLIP	12
6	281416	GUDGEON PIN	6
7	227866	ROD connecting sub assembly	6
8	NAJ1411/S	BUSH small end	6
9	227635	BOLT 5/8" B.S.F.	12
10	PS106220	SPLIT PIN 3/32"	12
11	227634	NUT 5/8" slotted	12
12	611572	BEARING big end set comprising 6 prs of 227845	1 set

TP/LN/0181\*

Always quote Chassis No. when ordering parts

A1B.3

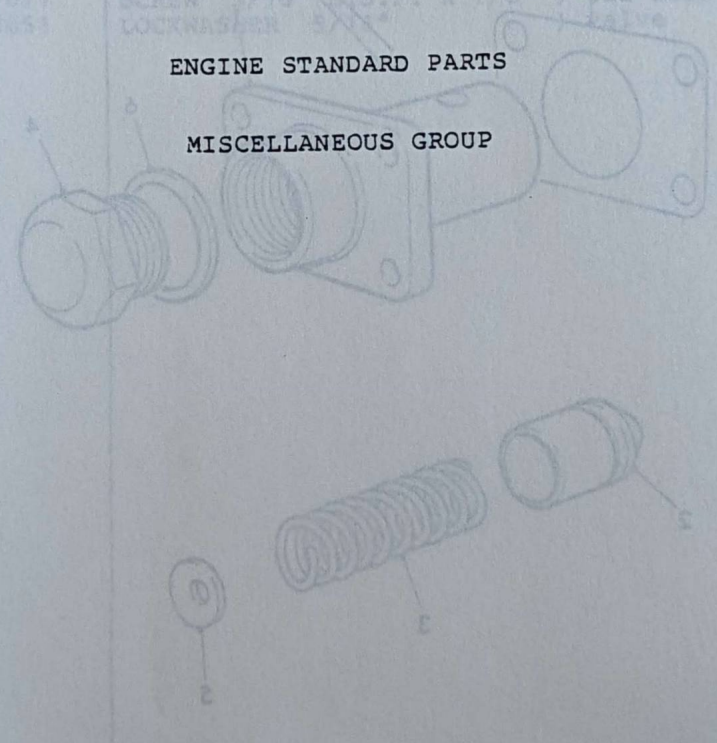
D662/A23

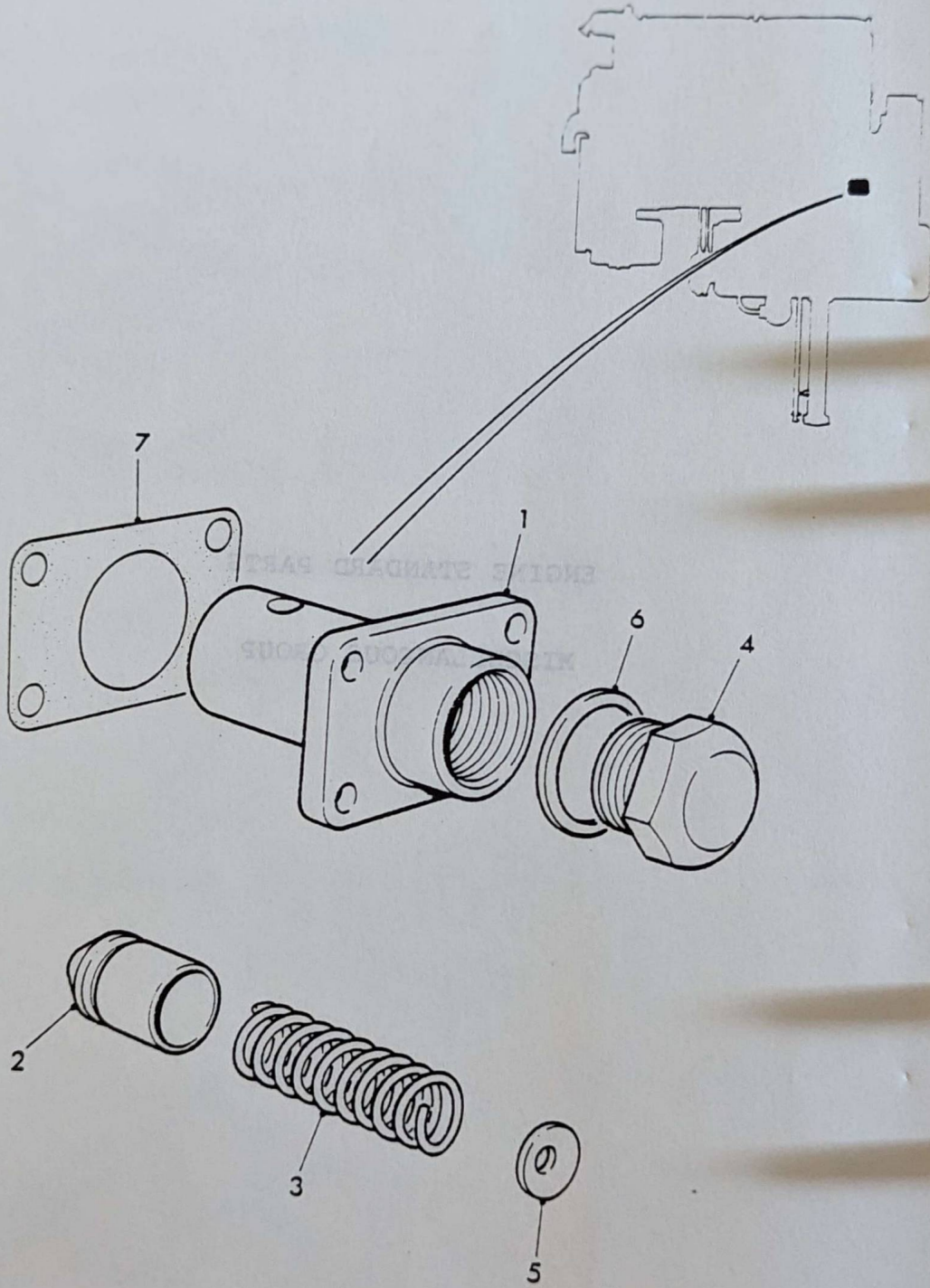
ENGINE STANDARD PARTS  
ESP.186  
PL 307789  
P4713

Part	Description	Quantity
Sub Group A.12 MISCELLANEOUS GROUP		
171	BODY valve	
172	VALVE oil relief	
173	SPRING	
174	PLUG	
175	WASHER Welch	
176	WASHER	
177	JOINT oil relief valve	1
FIXINGS		
178	SCREEN 3/16" S.P. x 7/8" oil relief	4
179	LOCKWASHER 5/16"	4

ENGINE STANDARD PARTS

MISCELLANEOUS GROUP





0861/214

ENGINE STANDARD PARTS

ESP.186

PL 307789

D662/A24

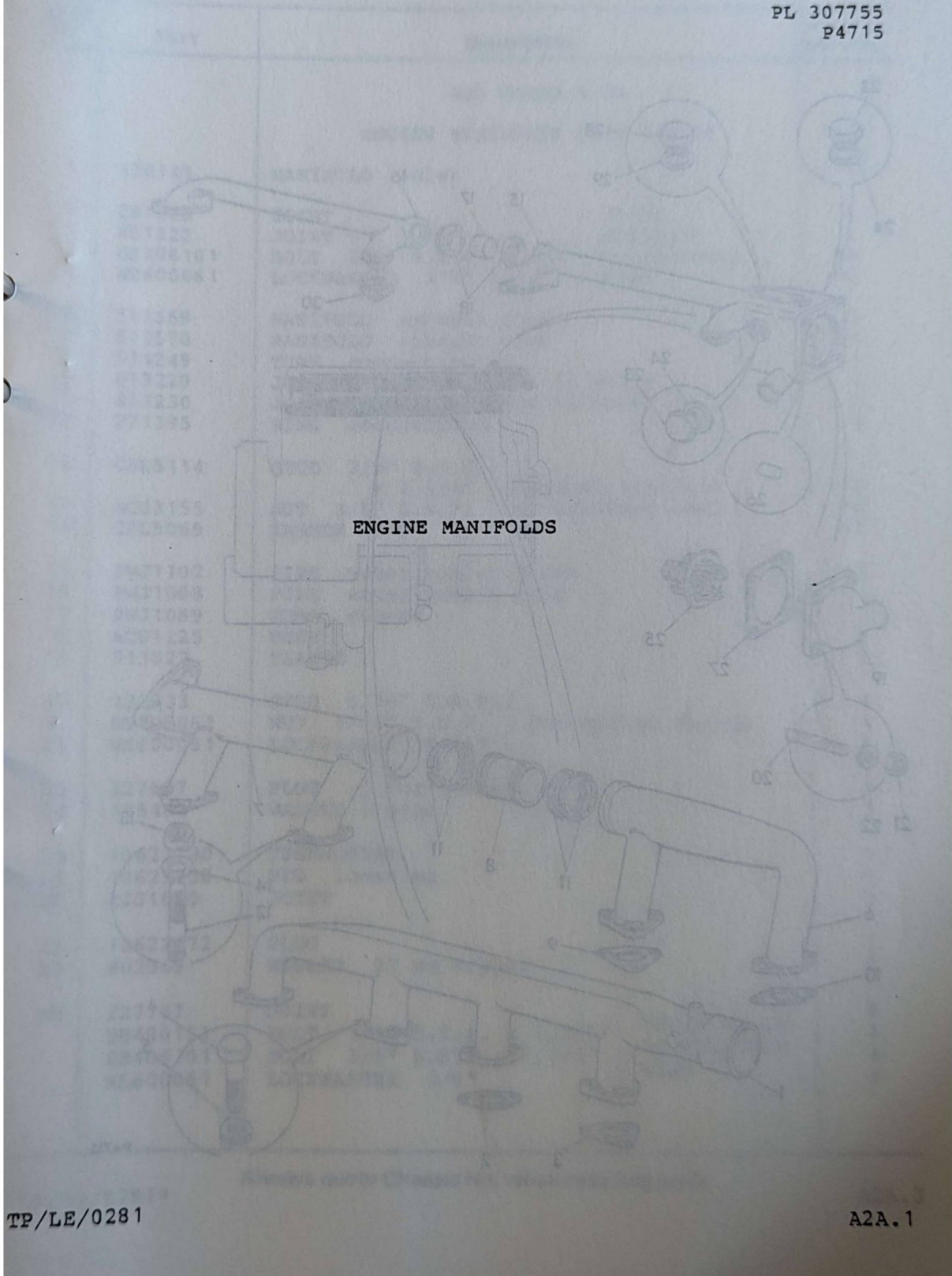
Illust. ref.	Part	Description	Quantity per unit
Sub Group A.1B			
MISCELLANEOUS GROUP			
1	227771	BODY valve	1
2	602736	VALVE oil relief	1
3	260513	SPRING	1
4	614733	PLUG	1
5	NAJ1243	WASHER welch	1
6	X84441	WASHER	1
7	608845	JOINT oil relief valve	1
FIXINGS			
	SH405071	SCREW 5/16" B.S.F. x 7/8" ) Oil relief	4
	WL600051	LOCKWASHER 5/16" ) valve	4

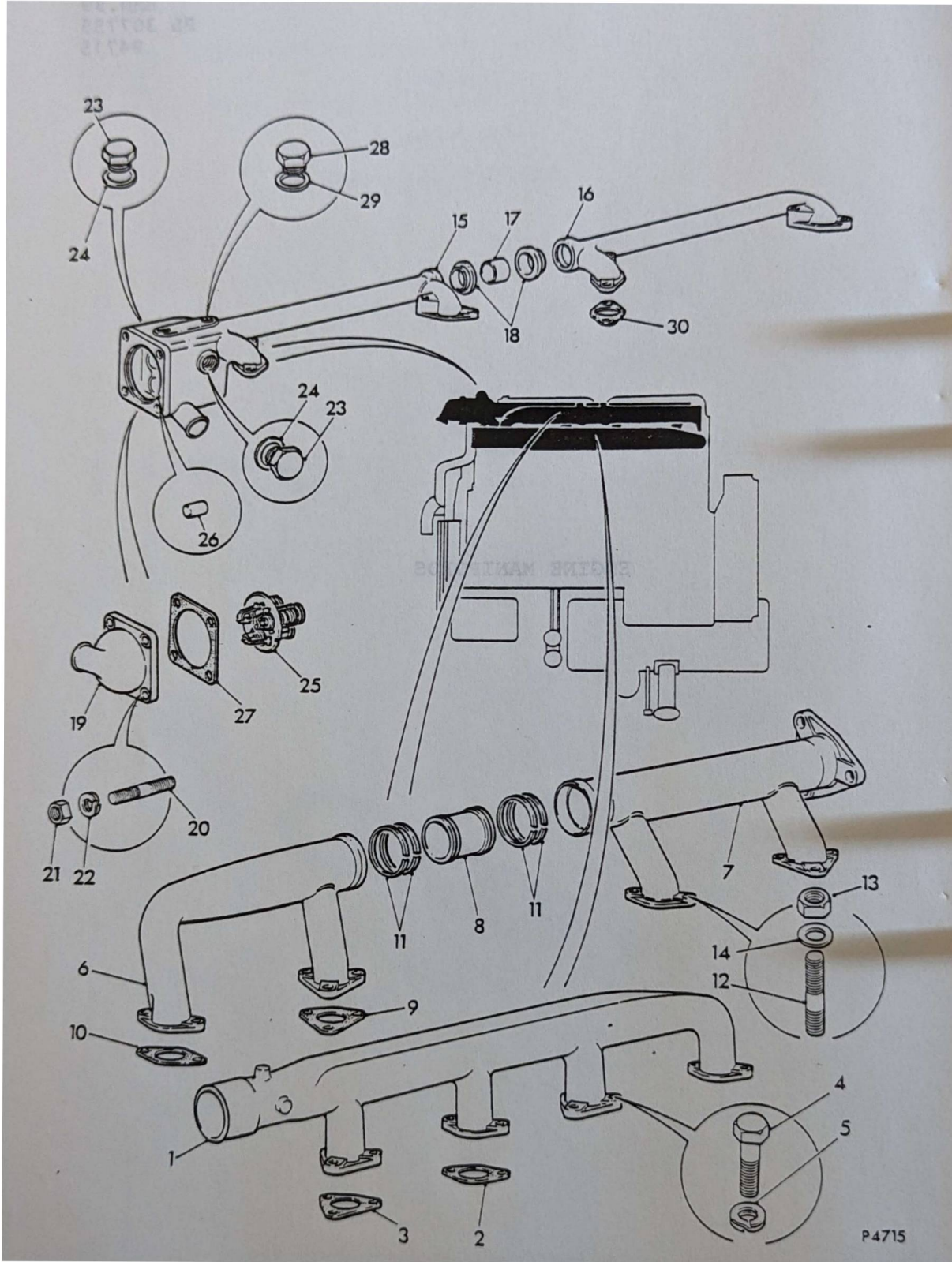
ENGINE MANIFOLDS

TP/LN/0181\*

Always quote Chassis No. when ordering parts

A1B.3





D661/B15

ENGINE MANIFOLDS  
EMN.99  
PL 307755

Illust. ref.	Part	Description	Quantity per unit
Sub Group A.2A			
ENGINE MANIFOLDS UNIT EMN.99			
1	539149	MANIFOLD inlet	1
2	281323	JOINT ) Inlet	2
3	281322	JOINT ) manifold	2
4	BH406101	BOLT 3/8" B.S.F. 1.1/4") to cylinder	10
5	WS600061	LOCKWASHER 3/8" B.S.F. ) head	10
6	513569	MANIFOLD exhaust front	1
7	513570	MANIFOLD exhaust rear	1
8	514249	TUBE connecting	1
9	613229	JOINT exhaust flange (3 hole)	2
10	613230	JOINT exhaust flange (2 hole)	2
11	271395	RING compression	4
12	CBL5114	STUD 3/8" B.S.F.) x 1.3/4" ) Exhaust manifold	10
13	ACU3155	NUT 3/8" B.S.F. ) to cylinder head	10
14	CBL5069	WASHER 3/8" )	10
15	PWJ1102	PIPE water outlet front	1
16	PWJ1088	PIPE water outlet rear	1
17	PWJ1089	TUBE centre	1
18	ACU1225	BUSH	2
19	513822	FLANGE	1
20	227933	STUD 5/16" B.S.F.)	4
21	NH405061	NUT 5/16" B.S.F. ) For outlet flange	4
22	WS600051	LOCKWASHER 5/16" )	4
23	227607	PLUG ) For outlet	2
24	185484	WASHER ) pipe	2
25	10623740	THERMOSTAT	1
26	10623738	PEG locating	1
27	KJJ1020	JOINT	1
28	10622172	PLUG	1
29	802069	WASHER 22 mm copper	2
30	227767	JOINT )	4
	BH406151	BOLT 3/8" B.S.F. x 1.7/8") Water outlet	4
	BH406101	BOLT 3/8" B.S.F.x 1.1/4" ) to cylinder	4
	WL600061	LOCKWASHER 3/8" ) head	8

TP/LE/0281\*

Always quote Chassis No. when ordering parts

A2A.3

D2101/A28

PULLEY AND DAMPER

EPD.4

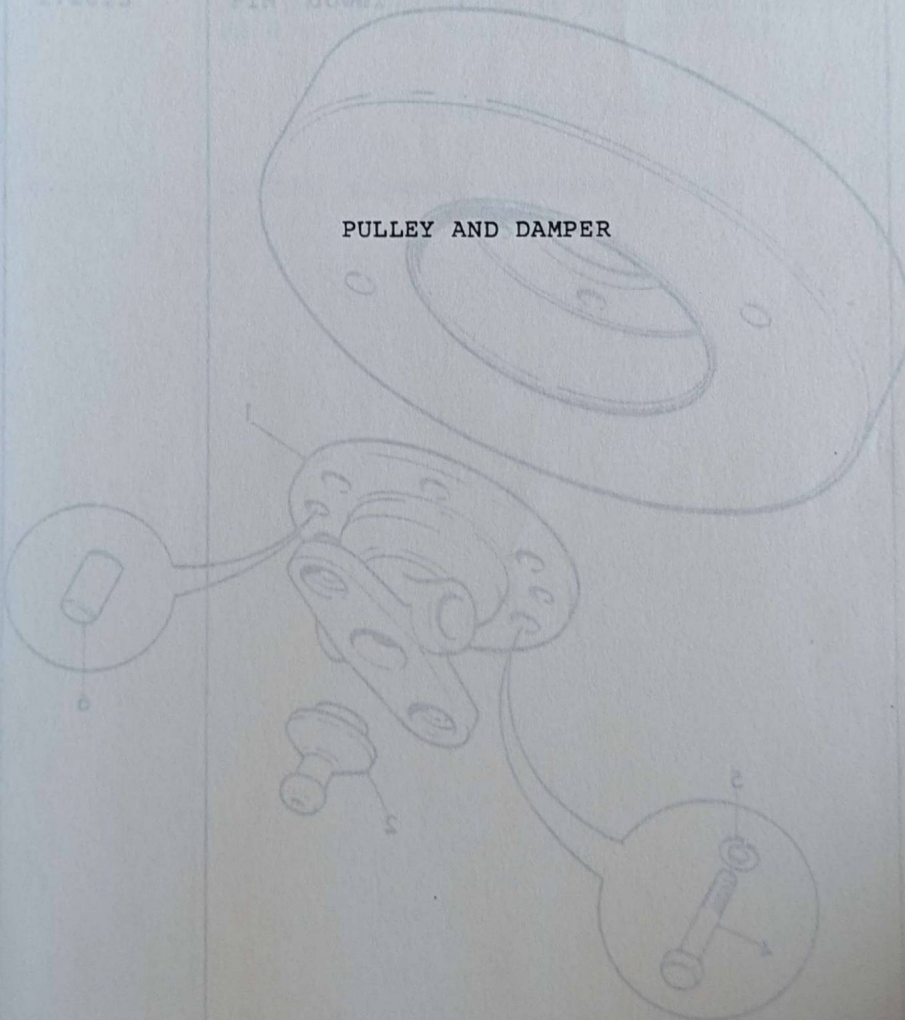
PL 200490

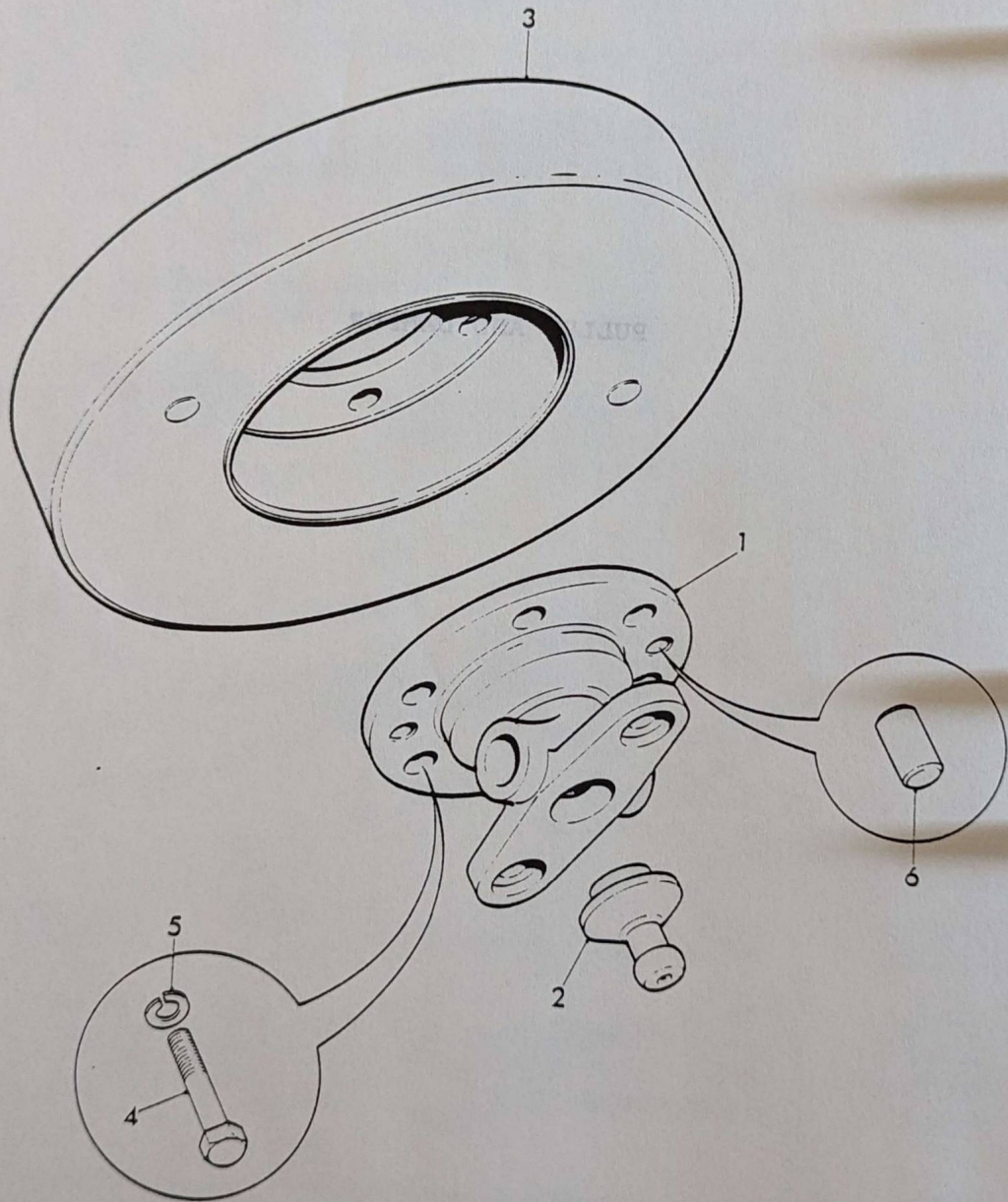
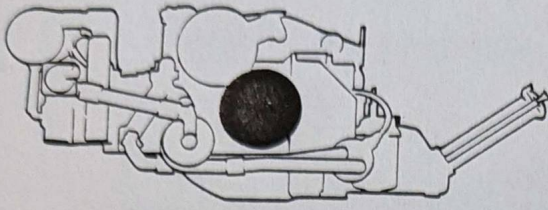
P4804

D2101/A29

Quant. Per Unit	Part	Description	Quant. per Unit
		Sub Group A.3A	
		PULLEY AND DAMPER	
1	840903	COUPLING sub-assembly	1
2	505626	COUPLING	2
3	840902	PEG bell	3
3	605287	DAMPER	3
6	88407091	SCREW 7/16" 8 <sup>1</sup> / <sub>2</sub> S.P. x 1.1/8"	6
6	W2600071	LOCKWASHER 7/16"	6
2	272623	PIN dowel	2

PULLEY AND DAMPER





P4804

D2101/A29

Illust. ref.	Part	Description	Quantity per unit
Sub Group A.3A			
PULLEY AND DAMPER UNIT EPD.4			
1	840903	COUPLING sub assembly	1
2	505626	COUPLING driving	1
	840902	PEG ball	1
3	605287	DAMPER	1
4	SH407091	SCREW 7/16" B.S.F. x 1.1/8"	6
5	WL600071	LOCKWASHER 7/16"	6
6	272623	PIN dowel	2
REPLACEMENT PARTS			
	AAL3368	CASING flywheel replaces AAL3364	1

D437/B11

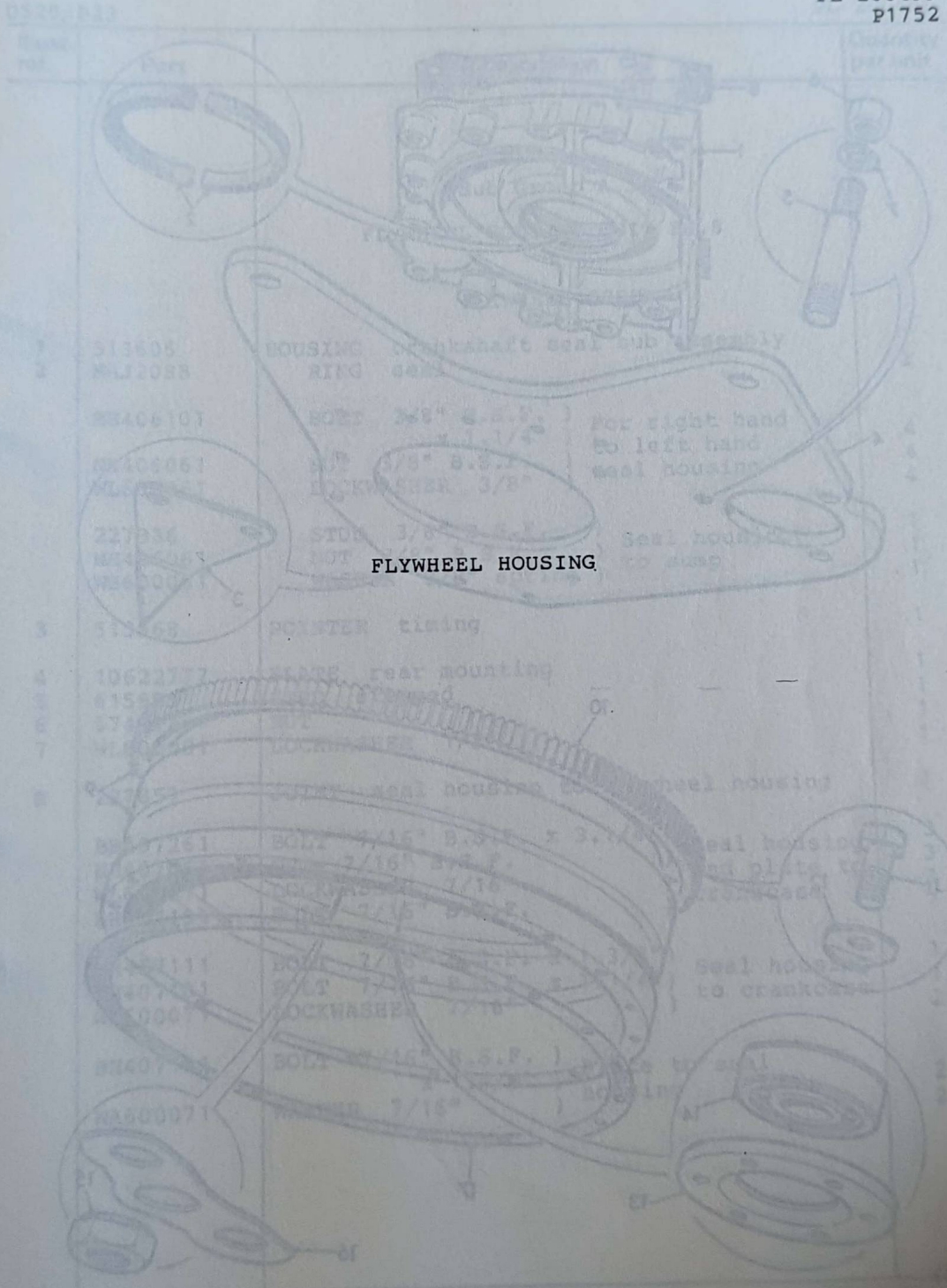
FLYWHEEL HOUSING  
FH.8/10  
PL 200499/10

Illust. ref.	Part	Description	Quantity per unit
		Sub Group A.3B  FLYWHEEL HOUSING UNIT FH.8/10  All parts as quoted on unit specification FH.8 with the following exceptions:  REPLACEMENT PARTS	
	AAL3368	CASING flywheel replaces AAL3364	1

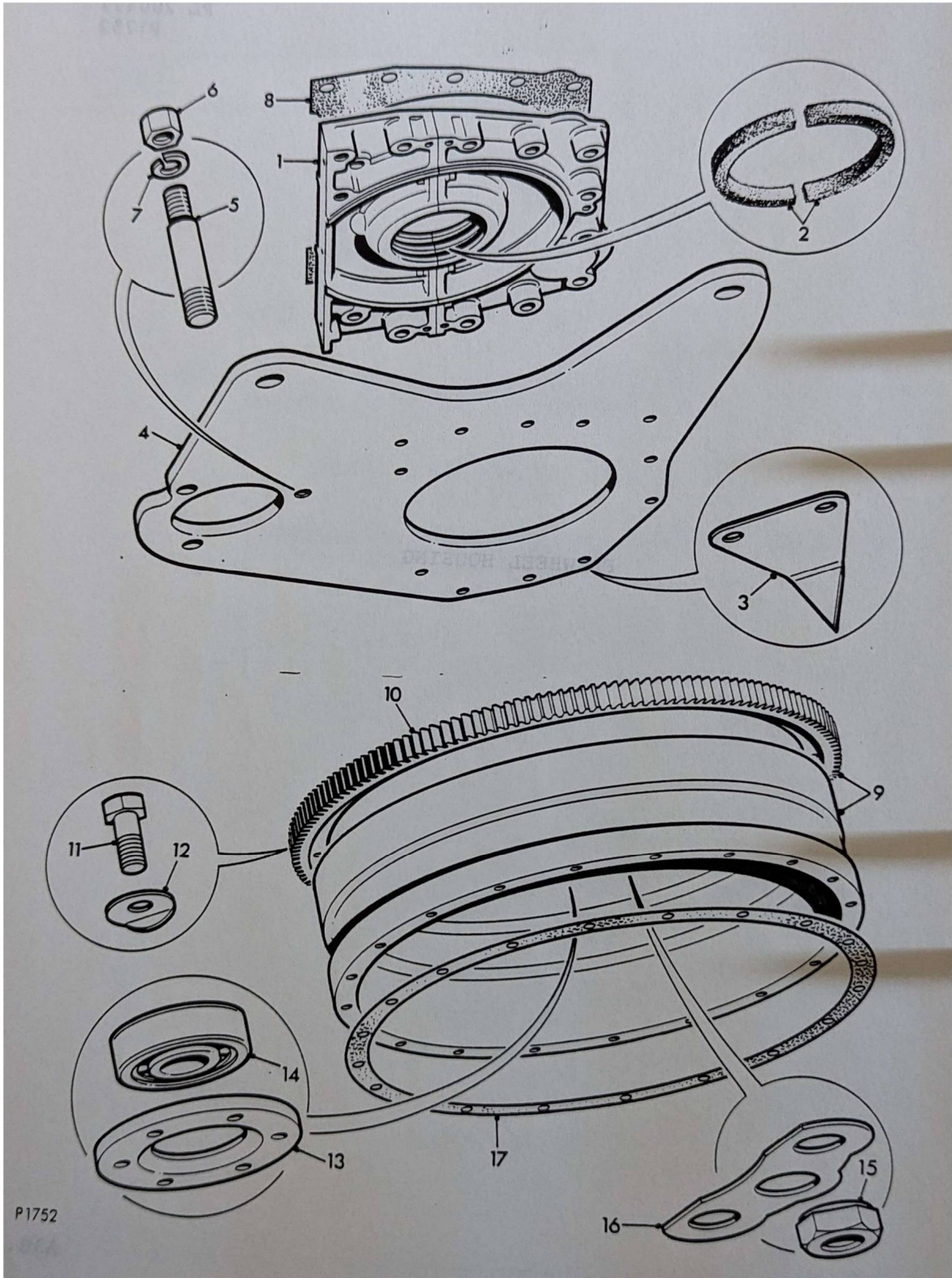
TP/LE/0382\*

Always quote Chassis No. when ordering parts

A3B.1



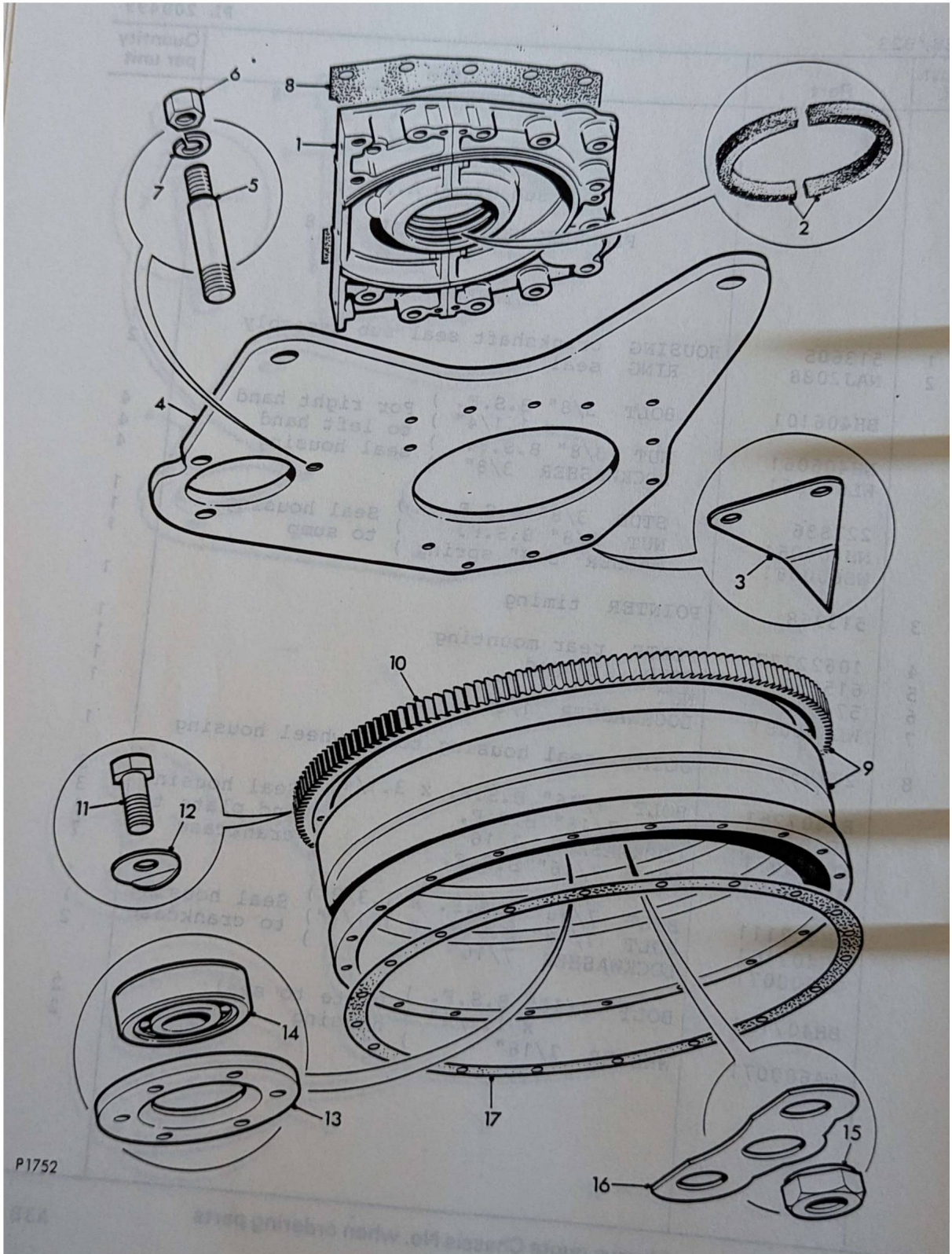
FLYWHEEL HOUSING



P1752

D528/B23

Illust. ref.	Part	Description	Quantity per unit
		Sub Group A.3B	
		FLYWHEEL HOUSING UNIT FH.8	
		FLYWHEEL GROUP	
1	513605	HOUSING crankshaft seal sub assembly	1
2	NAJ2088	RING seal	2
	BH406101	BOLT 3/8" B.S.F. ) x 1.1/4" )	6
	NH406061	NUT 3/8" B.S.F. )	4
	WL600061	LOCKWASHER 3/8" )	4
	227836	STUD 3/8" B.S.F. )	1
	NH406061	NUT 3/8" B.S.F. )	1
	WS600061	WASHER 3/8" spring )	1
3	513968	POINTER timing	1
4	10622777	PLATE rear mounting	1
5	615959	STUD stepped	1
6	574914	NUT	1
7	WL600081	LOCKWASHER 1/2"	1
8	227857	JOINT seal housing to flywheel housing	1
	BH407261	BOLT 7/16" B.S.F. x 3.1/4" )	3
	NH407061	NUT 7/16" B.S.F. )	3
	WL600071	LOCKWASHER 7/16" )	3
	BH407191	BOLT 7/16" B.S.F. )	7
	BH407111	BOLT 7/16" B.S.F. x 1.3/8" )	1
	BH407101	BOLT 7/16" B.S.F. x 1.1/4" )	1
	WL600071	LOCKWASHER 7/16" )	2
	BH407101	BOLT 7/16" B.S.F. )	2
	WA600071	x 1.1/4" )	2
		WASHER 7/16" )	2



D528/B24

Illust. ref.	Part	Description	Quantity per unit
FLYWHEEL GROUP			
9	AAL3364	CASING flywheel sub assembly	1
10	614289	RING starter	1
11	243477	BOLT 3/8" B.S.F.	6
12	257686	PLATE locking	6
	SH404061	SETSCREW 1/4" B.S.F. x 3/4"	6
	WL600041	LOCKWASHER 1/4"	6
13	841766	PLATE clamp	1
14	842360	BEARING roller	1
15	133710	NUT 5/8" B.S.F. )	6
16	CAL7091	PLATE locking ) Flywheel casing	3
17	10624403	JOINT ) to crankshaft	1

D431/A21

TIMING CASE  
ETC.146  
PL 308157

TIMING CASE

TP/LE/0383

A5.1

D431/A22

TIMING CASE  
ETC.146  
PL 308157

Illust. ref.	Part	Description	Quantity per unit
Sub Group A.5			
TIMING CASE UNIT ETC.146			
534510		CASE timing	1
601873		SEAL oil crankshaft	1
511946		JOINT timing case	1
511349		BACKPLATE timing	1
227856		JOINT backplate	1
116734		DOWEL	1
SH405061		SCREW 5/16" B.S.F. x 3/4")	6
234917		SCREW 5/16" B.S.F. )	1
WL600051		LOCKWASHER 5/16" )	6
		Backplate to crankcase	
BH405091		BOLT 5/16" B.S.F. x 1.1/8")	7
BH405221		BOLT 5/16" B.S.F. x 2.3/4")	1
WL600051		LOCKWASHER 5/16" )	8
		Timing case & backplate to crankcase	
BH405081		BOLT 5/16" B.S.F. x 1" )	4
BH405211		BOLT 5/16" B.S.F. x 2.5/8")	4
WL600051		LOCKWASHER 5/16" )	8
NH405061		NUT 5/16" B.S.F. )	8
		Timing case to backplate	

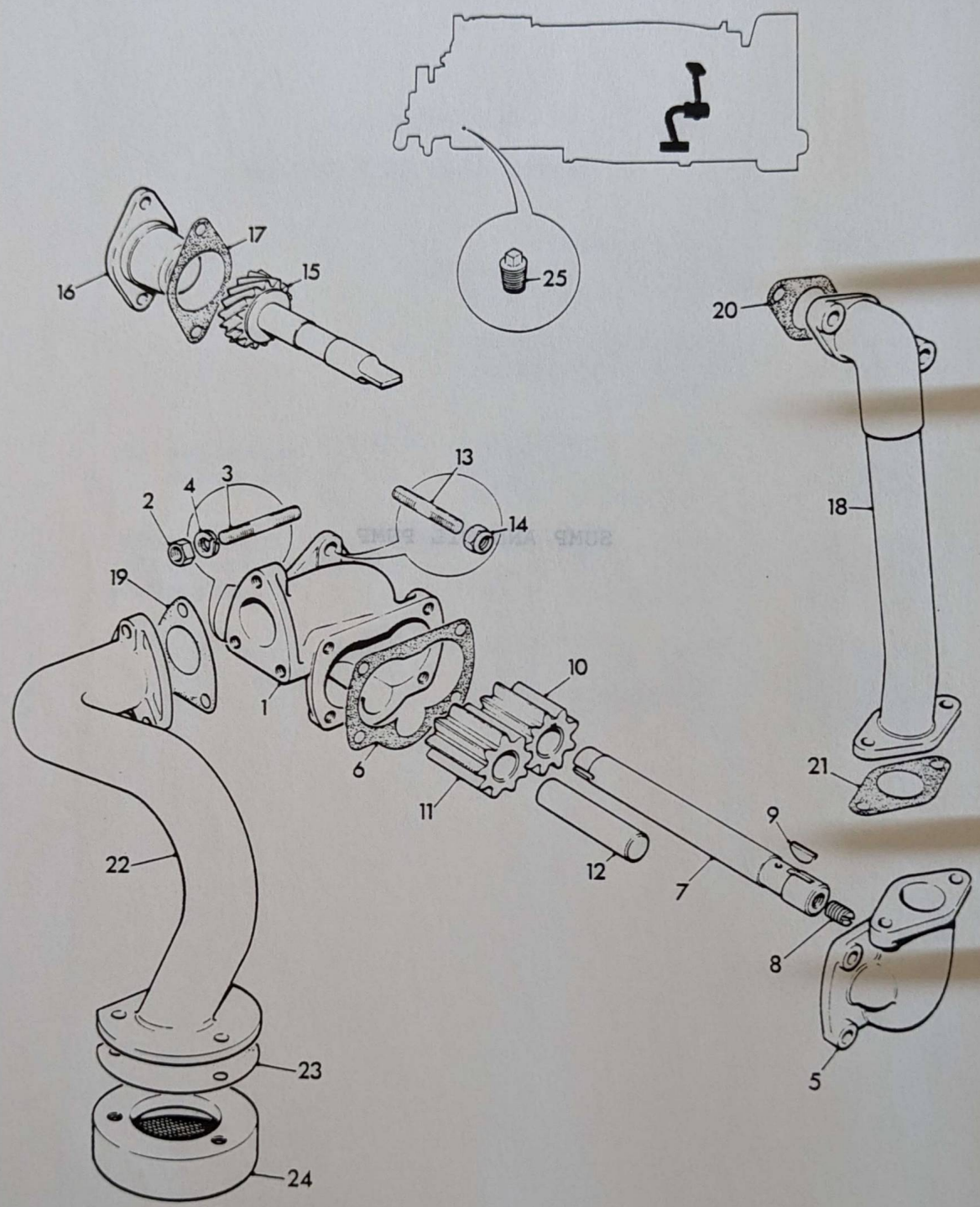
TP/LE/0383\*

Always quote Chassis No. when ordering parts

A5.3

Sheet of	Part	Description	Quantity per Unit
		Sub Group A.6a	
		SUMP AND OIL PUMP UNIT ESOP.93	
1	10621279 612146	PUMP oil assembly BODY	1
2	NR40724	NUT 5/16" B.S.F. ) For oil pump	3
3	227833	STUD 5/16" B.S.F. ) to oil pump	3
4	W5000051	LOCKWASHER 5/16" ) body	3
5	222796	COVER oil pump	1
6	10251496	JOINT	1
7	W4L4809	SHAFT SUMP AND OIL PUMP	1
8	CB13803	PLUG 1/2" B.S.F.	1
9	104102	KEY	1
10	10332985	GEAR oil pump	1
11	10332986	GEAR oil pump	1
12	227681	SPINDLE	1
	55404871	SCREW 5/8" B.S.F. ) Oil pump cover	4
	W1600051	LOCKWASHER 5/16" ) to oil pump	4
	227833	STUD 3/8" B.S.F. ) For oil pump body	3
	313803	LOCKNUT 3/8" B.S.F. ) to crankcase	3
13	1032293	SHAFT oil pump drive	1
14	227832	CAP thrust	1

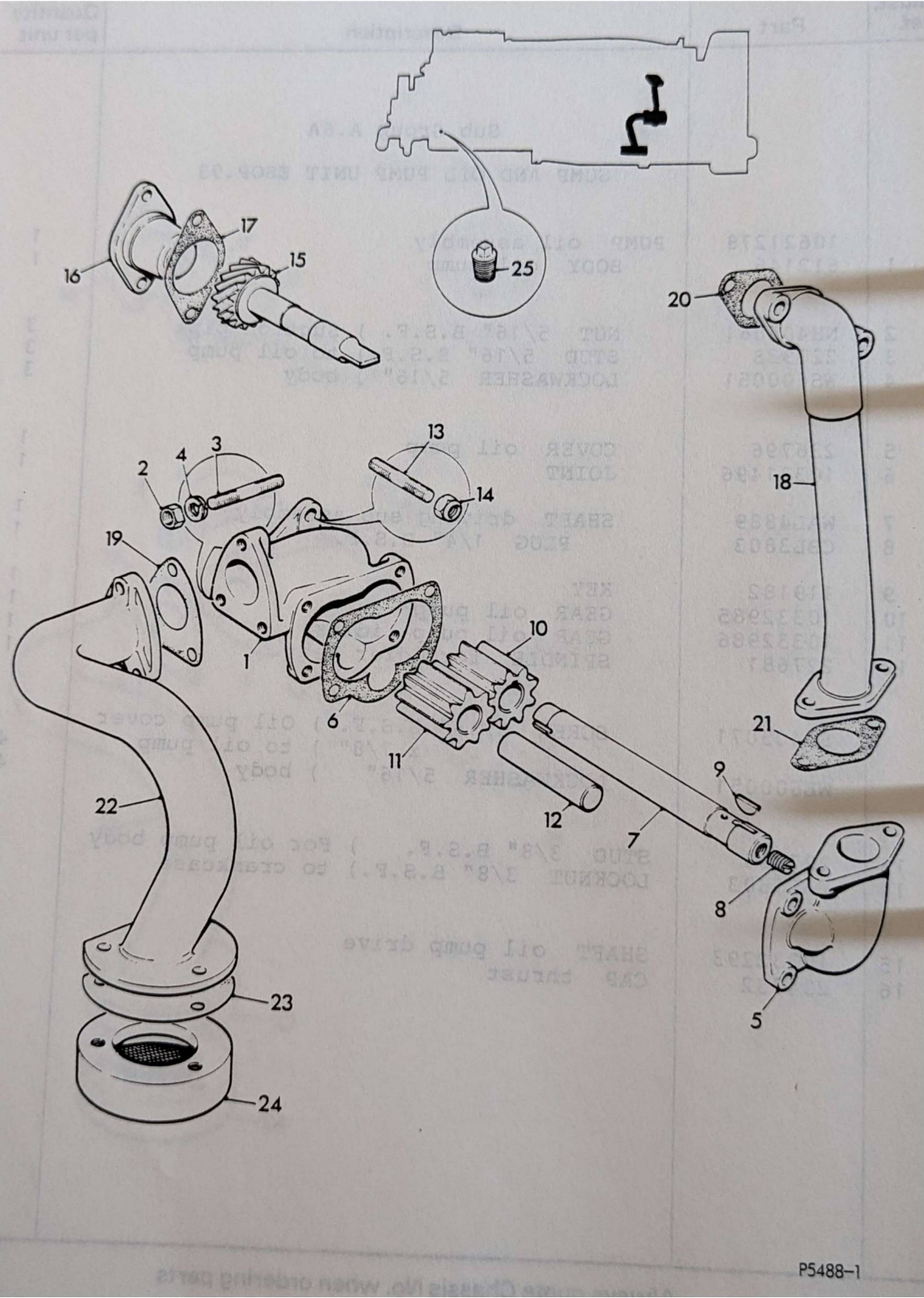
921802-19  
P5488  
884-29



SUMP AND OIL PUMP  
 ESOP.93  
 PL 308158

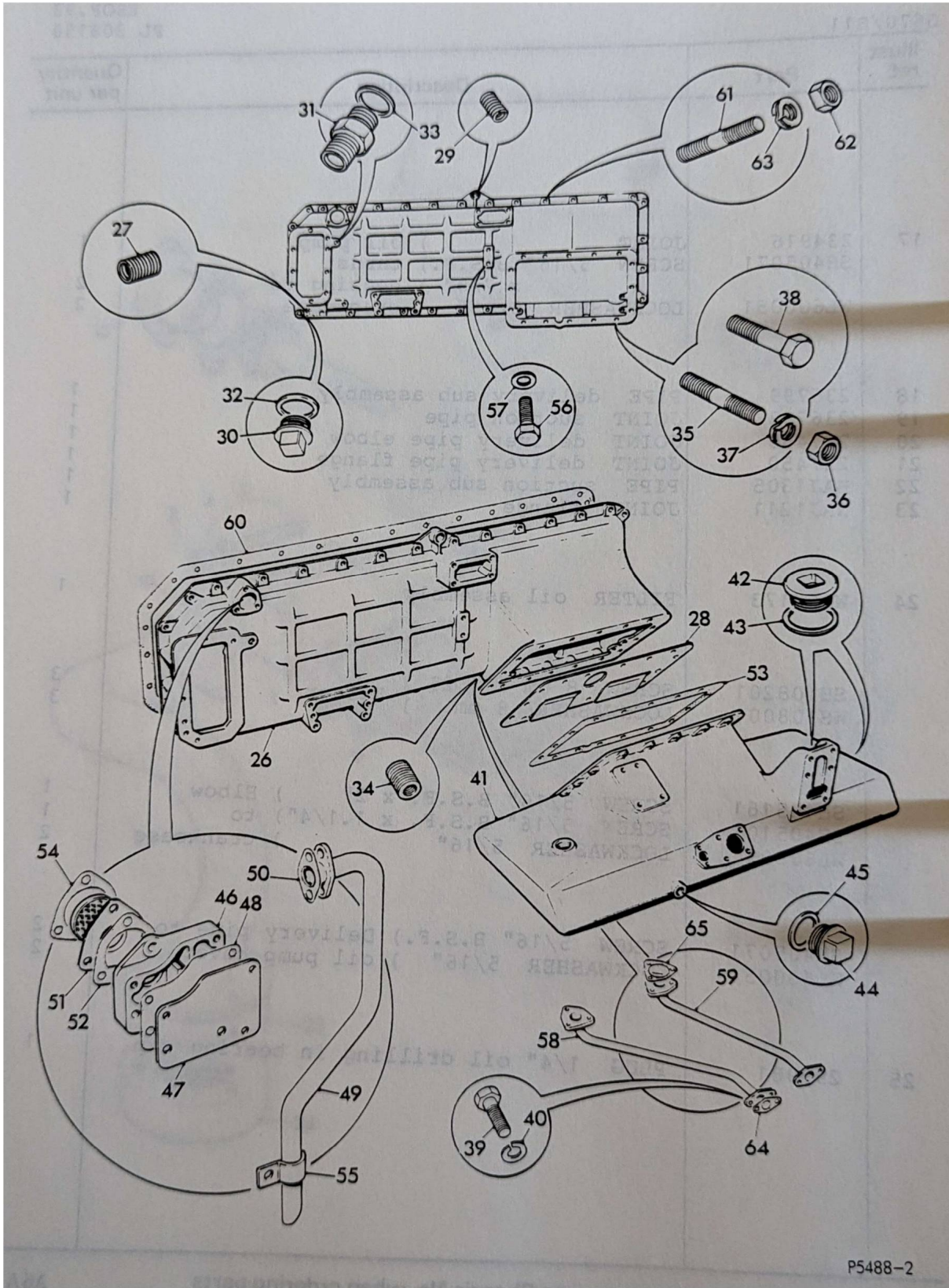
D670/B10

Illust. ref.	Part	Description	Quantity per unit
Sub Group A.6A			
SUMP AND OIL PUMP UNIT ESOP.93			
1	10621278	PUMP oil assembly	1
	612146	BODY oil pump	1
2	NH405061	NUT 5/16" B.S.F. ) Suction pipe	3
3	227933	STUD 5/16" B.S.F.) to oil pump	3
4	WS600051	LOCKWASHER 5/16" ) body	3
5	236796	COVER oil pump	1
6	10331496	JOINT	1
7	WAL4889	SHAFT driving sub assembly	1
8	CBL3803	PLUG 1/4" B.S.F.	1
9	119182	KEY	1
10	10332985	GEAR oil pump	1
11	10332986	GEAR oil pump (idler)	1
12	227681	SPINDLE for idler gear	1
	SH405071	SCREW 5/16" B.S.F. ) Oil pump cover x 7/8" ) to oil pump	4
	WL600051	LOCKWASHER 5/16" ) body	4
13	227836	STUD 3/8" B.S.F. ) For oil pump body	3
14	CAL5803	LOCKNUT 3/8" B.S.F.) to crankcase	3
15	10332293	SHAFT oil pump drive	1
16	234732	CAP thrust	1



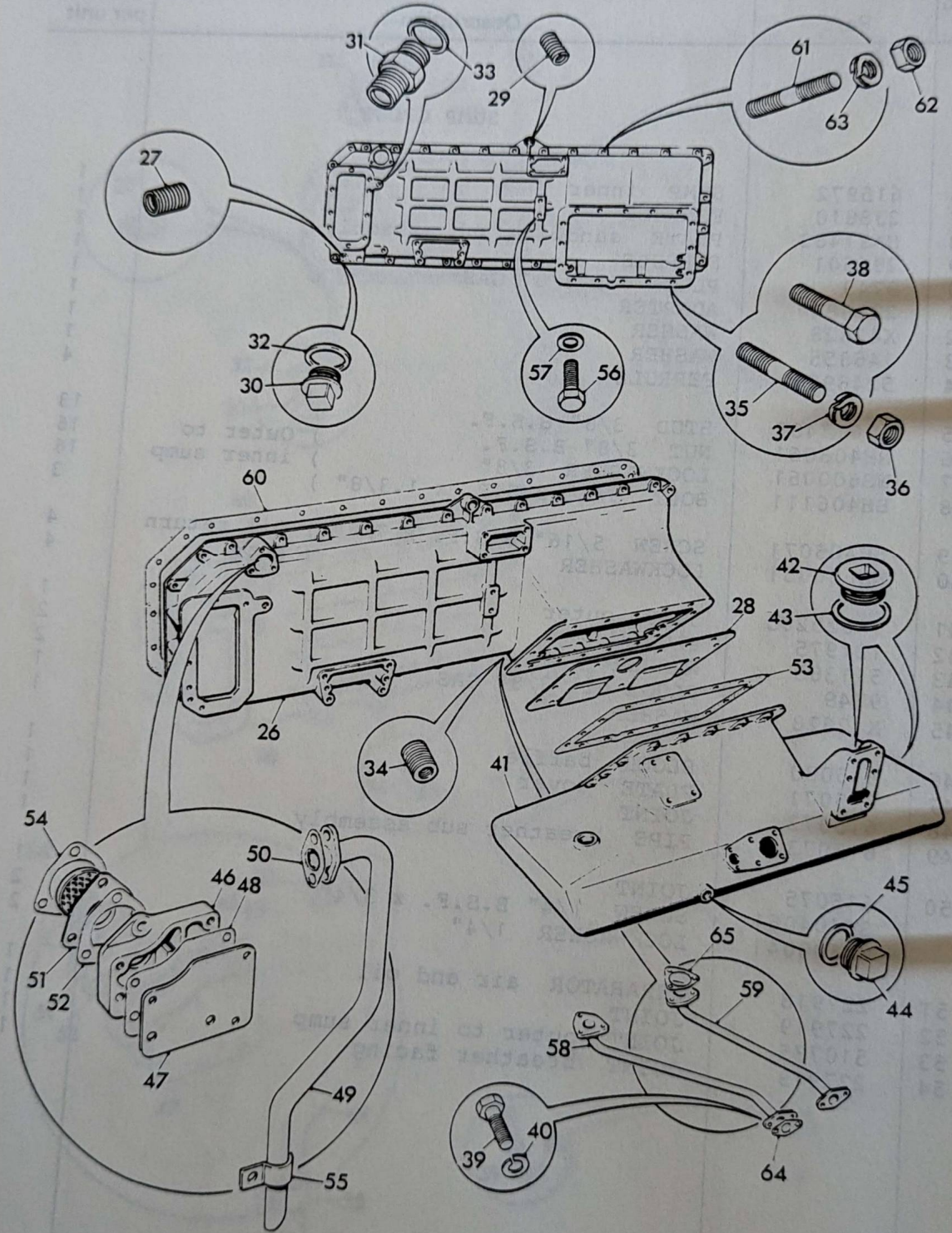
D670/B11

Illust. ref.	Part	Description	Quantity per unit
17	234916 SH405071	JOINT ) Oil pump SCREW 5/16" B.S.F.) thrust x 7/8" ) housing to	1
	WL600051	LOCKWASHER 5/16" ) crankcase	2
18	236799	PIPE delivery sub assembly	1
19	236798	JOINT suction pipe	1
20	227450	JOINT delivery pipe elbow	1
21	227450	JOINT delivery pipe flange	1
22	HAJ1305	PIPE suction sub assembly	1
23	NAJ1211	JOINT flange	1
24	WAL3173	FILTER oil assembly	1
	SH108201 WS108001	SCREW 8 mm x 1.25 ) Filter LOCKWASHER 8 mm )	3
	SH405161 SH405101 WL600051	SCREW 5/16" B.S.F. x 2" ) Elbow SCREW 5/16" B.S.F. x 1.1/4" ) to LOCKWASHER 5/16" ) crankcase	1
			1
			2
	SH405071 WL600051	SCREW 5/16" B.S.F.) Delivery pipe to LOCKWASHER 5/16" ) oil pump cover	2
			2
25	299981	PLUG 1/4" oil drilling in bearing cap	1



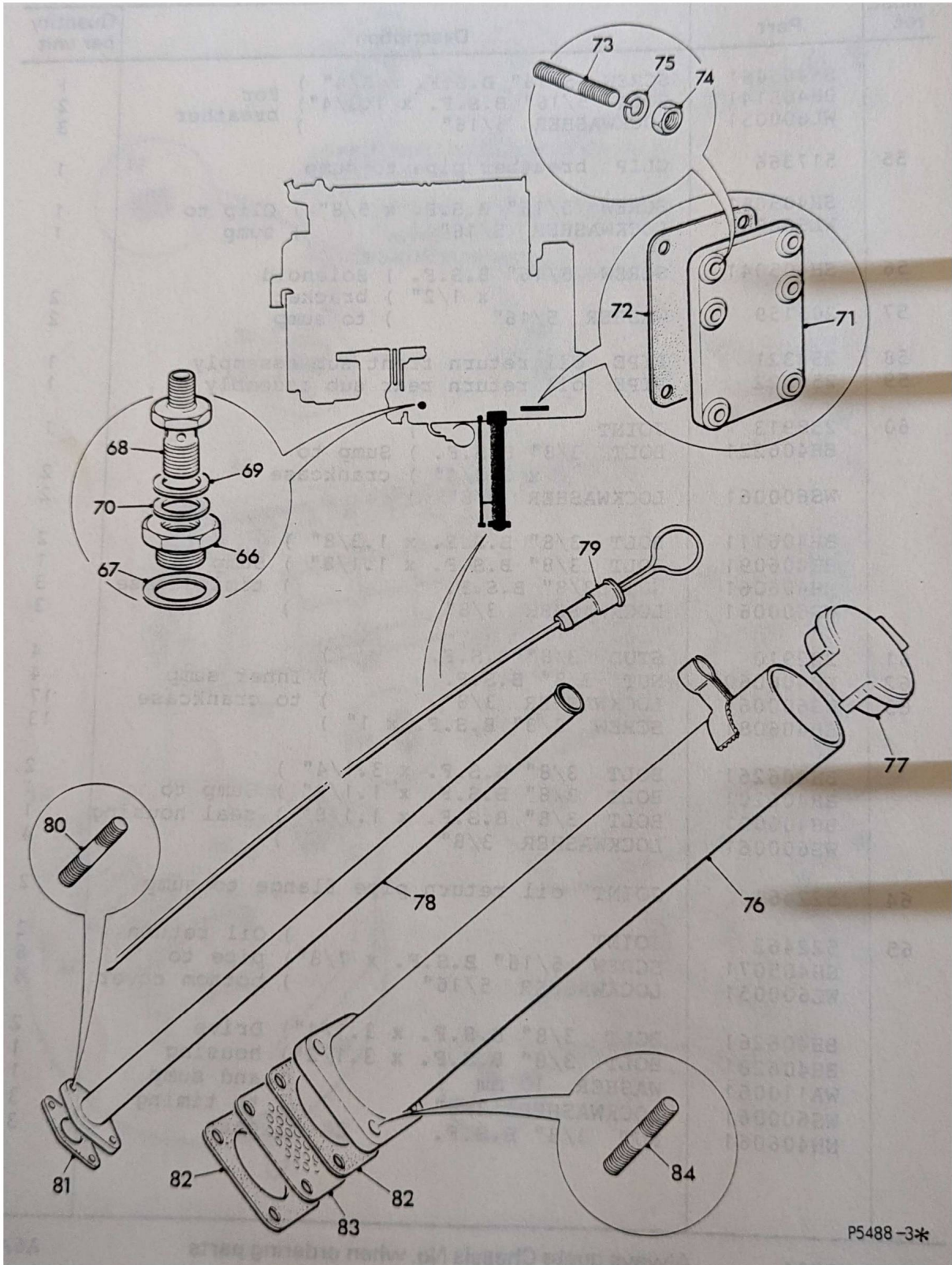
D670/B12

Illust. ref.	Part	Description	Quantity per unit
		SUMP GROUP	
26	615972	SUMP inner	1
27	238810	FERRULE	1
28	HAI1483	PLATE sandwich sub assembly	1
29	286501	FERRULE	1
30	9749	PLUG oil 3/8" GAS	1
31	229684	ADAPTER	1
32	X42628	WASHER	1
33	146855	WASHER	1
34	524692	FERRULE	4
35	10617487	STUD 3/8" B.S.F. )	13
36	NH406061	NUT 3/8" B.S.F. ) Outer to	16
37	WS600061	LOCKWASHER 3/8" ) inner sump	16
38	BH406111	BOLT 3/8" B.S.F. x 1.3/8" )	3
39	SH405071	SCREW 5/16" B.S.F. x 7/8" ) Oil return	4
40	WL600051	LOCKWASHER ) pipe	4
41	10625205	SUMP outer	1
42	121975	PLUG	2
43	511365	WASHER	2
44	9749	PLUG oil 3/8" GAS	1
45	X42628	WASHER	1
46	615030	BLOCK baffle	1
47	615071	PLATE cover	1
48	615072	JOINT	1
49	615073	PIPE breather sub assembly	1
50	615075	JOINT	1
	SH404061	SCREW 1/4" B.S.F. x 3/4"	2
	WL600041	LOCKWASHER 1/4"	2
51	227918	SEPARATOR air and oil	1
52	227919	JOINT	1
53	510785	JOINT outer to inner sump	1
54	227919	JOINT breather facing	1



D670/B13

Illust. ref.	Part	Description	Quantity per unit
	SH405061	SCREW 5/16" B.S.F. x 3/4" )	1
	BH405141	BOLT 5/16" B.S.F. x 1.3/4" )	2
	WL600051	LOCKWASHER 5/16" )	3
		For breather	
55	517366	CLIP breather pipe to sump	1
	SH405051	SCREW 5/16" B.S.F. x 5/8" )	1
	WL600051	LOCKWASHER 5/16" )	1
		Clip to sump	
56	SH405041	SCREW 5/16" B.S.F. ) Solenoid	2
		x 1/2" ) bracket	
57	205159	WASHER 5/16" ) to sump	2
58	258321	PIPE oil return front sub assembly	1
59	258322	PIPE oil return rear sub assembly	1
60	258913	JOINT )	1
	BH406221	BOLT 3/8" B.S.F. ) Sump to	2
		x 2.3/4" ) crankcase	
	WS600061	LOCKWASHER 3/8" )	2
	BH406111	BOLT 3/8" B.S.F. x 1.3/8" )	2
	BH406091	BOLT 3/8" B.S.F. x 1.1/8" ) Sump to	1
	NH406061	NUT 3/8" B.S.F. ) timing case	3
	WS600061	LOCKWASHER 3/8" )	3
61	222910	STUD 3/8" B.S.F. )	4
62	NH406060	NUT 3/8" B.S.F. ) Inner sump	4
63	WS600061	LOCKWASHER 3/8" ) to crankcase	17
	SH406081	SCREW 3/8" B.S.F. x 1" )	13
	BH406261	BOLT 3/8" B.S.F. x 3.1/4" )	2
	BH406201	BOLT 3/8" B.S.F. x 1.1/2" ) Sump to	1
	BH406091	BOLT 3/8" B.S.F. x 1.1/8" ) seal housing	1
	WS600061	LOCKWASHER 3/8" )	4
64	522461	JOINT oil return pipe flange to sump	2
65	522462	JOINT ) Oil return	2
	SH405071	SCREW 5/16" B.S.F. x 7/8" ) pipe to	6
	WL600051	LOCKWASHER 5/16" ) bottom cover	6
	BH406261	BOLT 3/8" B.S.F. x 3.1/4" ) Drive	2
	BH406281	BOLT 3/8" B.S.F. x 3.1/2" ) housing	1
	WA110061	WASHER 10 mm ) and sump	1
	WS600061	LOCKWASHER 3/8" ) to timing	3
	NH406061	NUT 3/8" B.S.F. ) case	3



D670/B14

Illust. ref.	Part	Description	Quantity per unit
66	325407	ADAPTER )	1
67	511365	WASHER )	1
68	NAJ1945	ADAPTER special ) Fuel pump and	1
69	X84440	WASHER ) oil filter drain	1
70	X42628	WASHER )	1
71	540490	COVER )	1
72	519077	JOINT ) Centrifugal	1
73	227836	STUD 3/8" B.S.F.) filter	6
74	NH406061	NUT 3/8" B.S.F.) face cover	6
75	WS600061	LOCKWASHER 3/8" )	6
	SH404061	SCREW 1/4" B.S.F. x 3/4" ) Breather	3
	WL600041	LOCKWASHER 1/4" ) assembly	3
76	HAJ3051	TUBE oil filler sub assembly	1
77	10882322	CAP filler assembly	1
78	519268	TUBE dipstick assembly	1
79	10621944	DIPSTICK sub assembly	1
80	227933	STUD 5/16" B.S.F.)	2
81	102786	GASKET ) Dipstick tube	1
	NH405061	NUT 5/16" B.S.F.) to sump	2
	WL600051	LOCKWASHER 5/16" )	2
82	258900	JOINT )	2
83	10803527	PERFORATED PLATE )	1
84	227873	STUD 3/8" B.S.F.) Oil filler	4
	NH406061	NUT 3/8" B.S.F.) to sump	4
	WL600061	LOCKWASHER 3/8" )	4
	SH405051	SCREW 5/16" B.S.F. x 3/4" )	1
	NH405061	NUT 5/16" B.S.F. ) Steady	1
	WA110061	WASHER 10 mm ) bracket	1
	609912	JOINT )	1
	60544	DOWEL ) Fuel pump	2
	227836	STUD 3/8" B.S.F.) drive housing	5
	WS600061	LOCKWASHER 3/8" ) to sump	5
	NH406061	NUT 3/8" B.S.F.)	5

D432/A06

WATER PUMP  
EWP.253/3  
PL 307758/3

Illust. ref.	Part	Description	Quantity per unit
		Sub Group A.7	
		WATER PUMP UNIT EWP.253/3	
		All parts as quoted on unit specification EWP.253 with the following exceptions:	
		REPLACEMENT PARTS	
	HAJ3379	PUMP water assembly replaces HAJ1805	1
	NAJ2069	IMPELLER replaces 321548	1
	511339	COVER end replaces NAJ1280	1
		WATER PUMP	

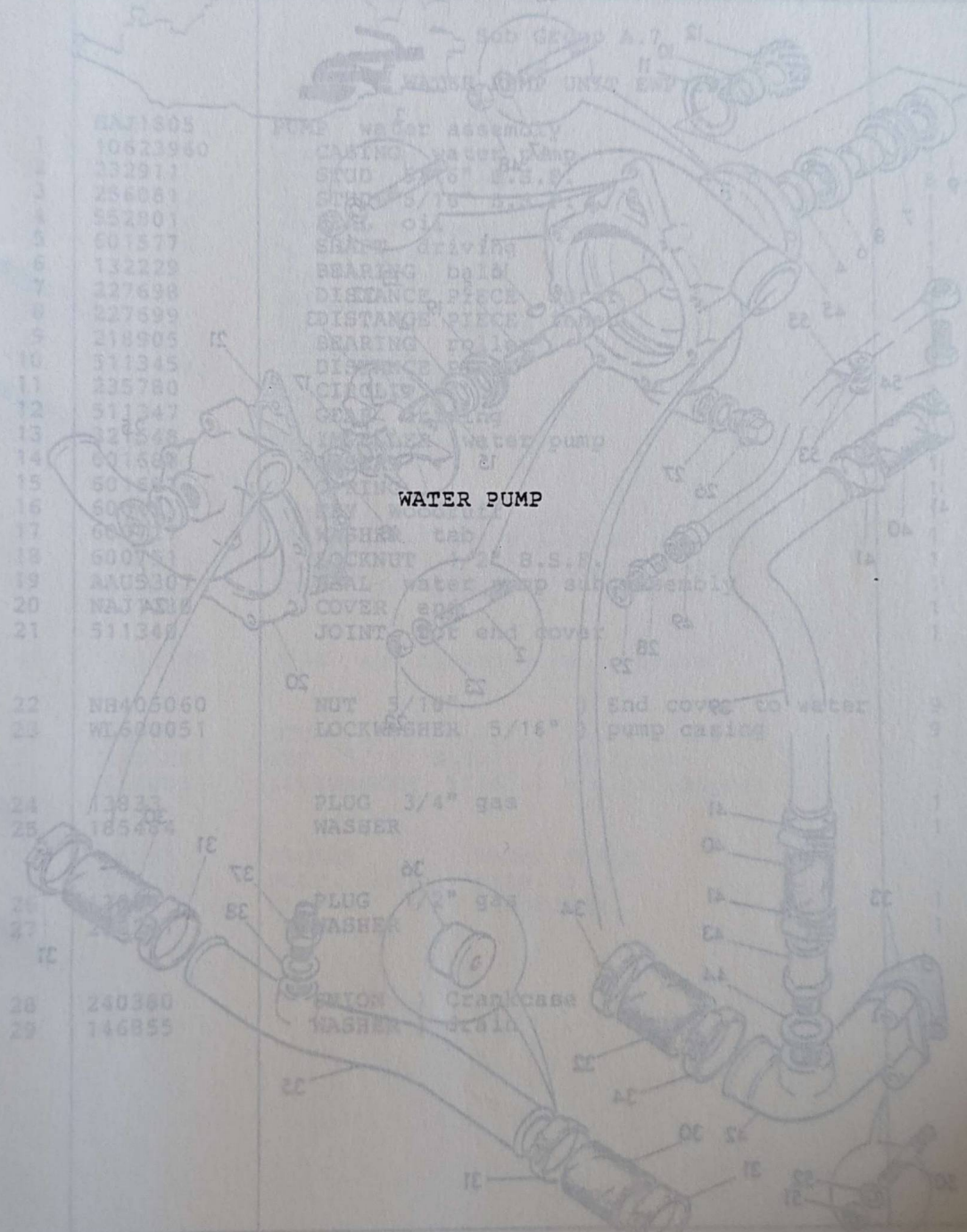
TP/LE/0581\*

Always quote Chassis No. when ordering parts

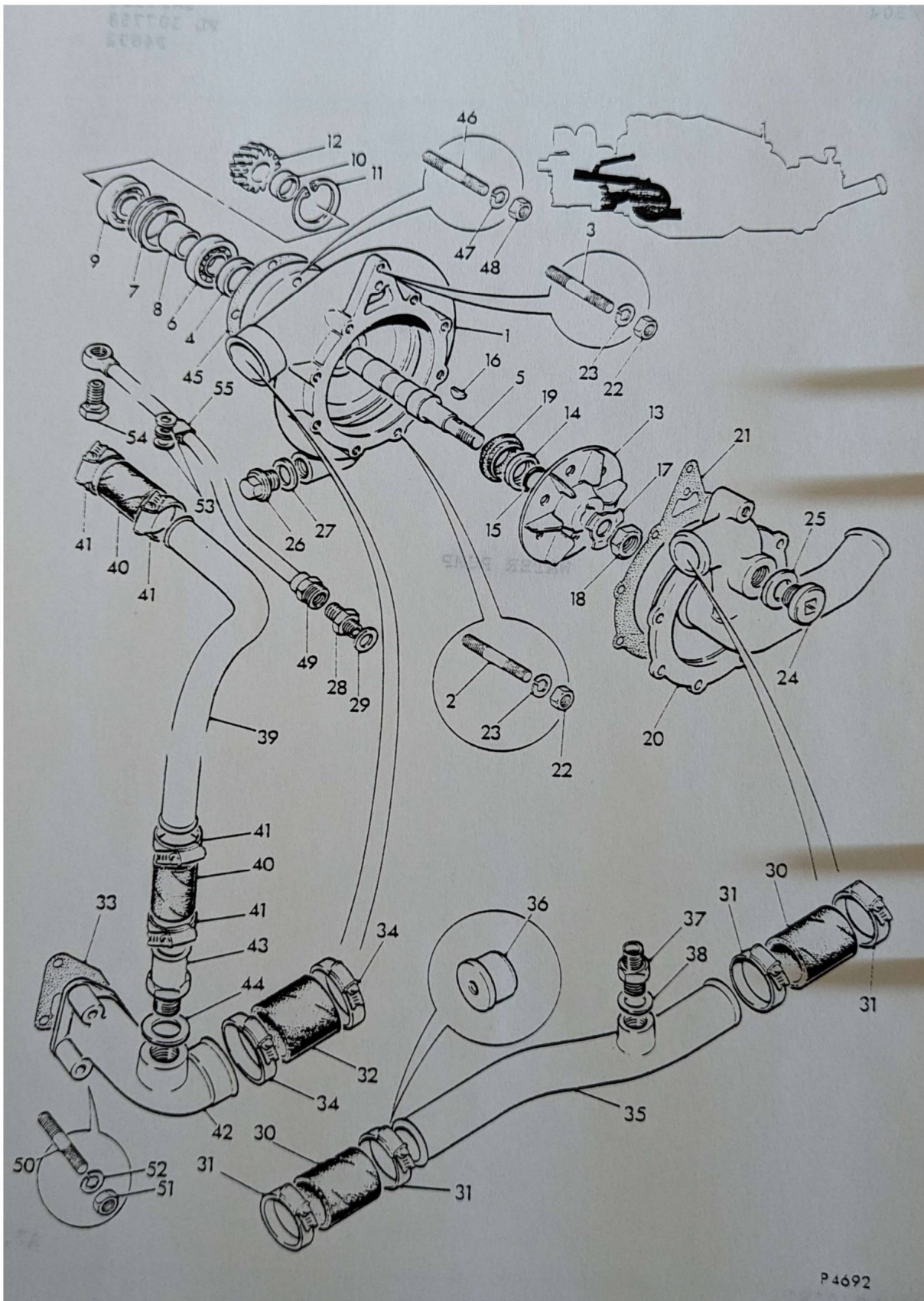
A7.1

D661/B04

Sheet No.	Part	Description	Quantity per Unit
-----------	------	-------------	-------------------



1	NAJ1305	PUMP water assembly	
2	10623960	CASING water pump	
3	232911	SCUD 5/16" B.S.F.	
4	256081	SHIM 5/16" B.S.F.	
5	552801	SHIM oil	
6	601577	SHIM driving	
7	132229	BEARING ball	
8	227698	DISTANCE PIECE	
9	227699	DISTANCE PIECE	
10	218905	BEARING ball	
11	511345	DISTANCE PIECE	
12	235780	CRANK	
13	511347	CRANK	
14	228548	WATER PUMP	
15	601569	SHIM	
16	601570	SHIM	
17	600751	WASHER tab	
18	600751	LOCKNUT 2" B.S.F.	
19	AAUS307	SEAL water pump sub-assembly	
20	NAJAS10	COVER end	
21	511348	JOINT bot end cover	
22	NB405060	NUT 5/16" End cover to water	9
23	WL600051	LOCKWASHER 5/16" pump casing	9
24	13833	PLUG 3/4" gas	1
25	185484	WASHER	1
26	30751	PLUG 1/2" gas	1
27	30751	WASHER	1
28	240360	CRANKCASE	
29	146855	WASHER strain	



D661/B05

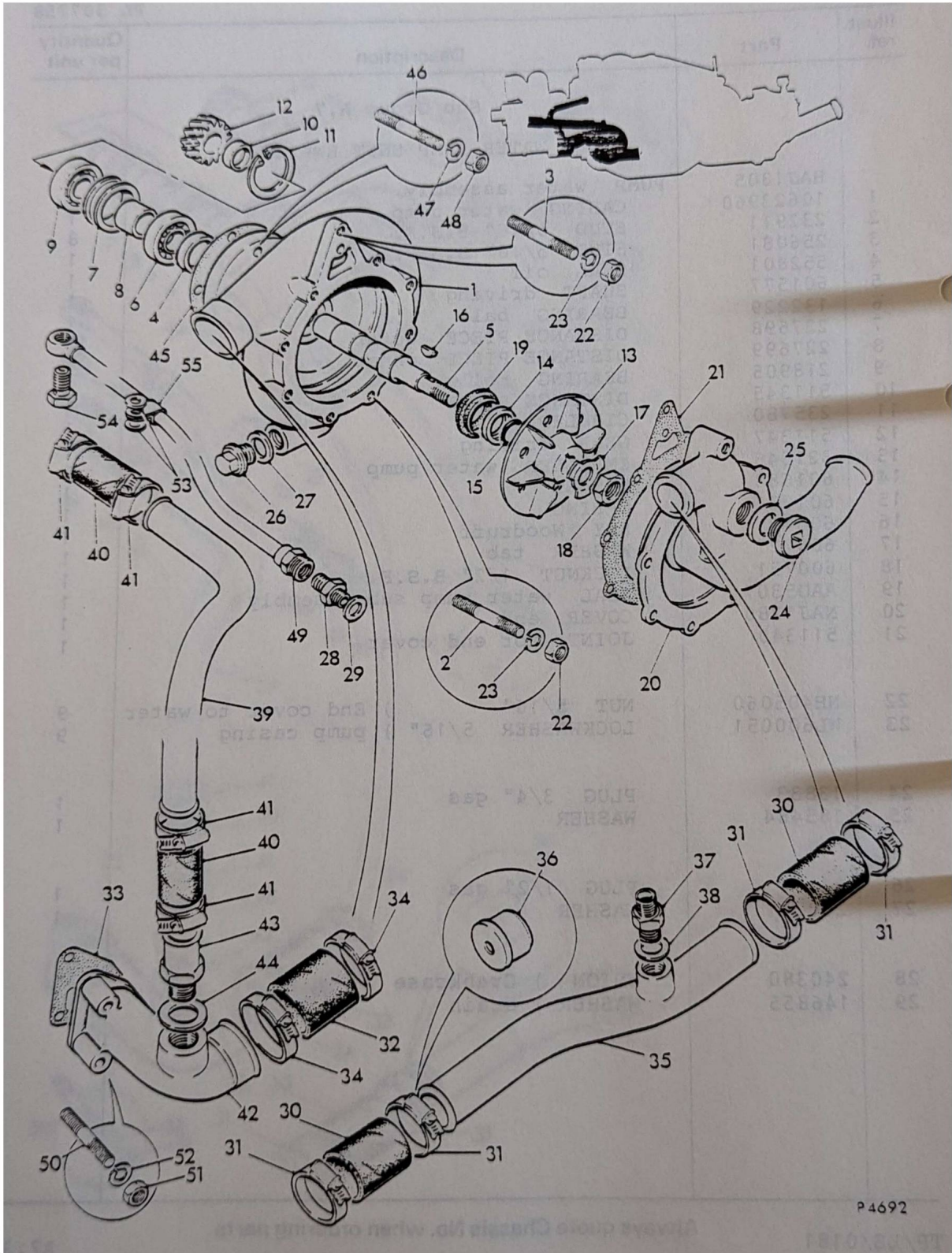
WATER PUMP  
EWP.253  
PL 307758

Illust. ref.	Part	Description	Quantity per unit
		Sub Group A.7	
		WATER PUMP UNIT EWP.253	
1	HAJ1805	PUMP water assembly	1
2	10623960	CASING water pump	1
3	232911	STUD 5/16" B.S.F.	8
4	256081	STUD 5/16" B.S.F.	1
5	552801	SEAL oil	1
6	601577	SHAFT driving	1
7	132229	BEARING ball	1
8	227698	DISTANCE PIECE outer	1
9	227699	DISTANCE PIECE inner	1
10	218905	BEARING roller	1
11	511345	DISTANCE PIECE	1
12	235780	CIRCLIP	1
13	511347	GEAR driving	1
14	321548	IMPELLER water pump	1
15	601688	INSERT	1
16	601687	O-RING	1
17	60042	KEY Woodruff	1
18	600727	WASHER tab	1
19	600751	LOCKNUT 1/2" B.S.F.	1
20	AAU5307	SEAL water pump sub assembly	1
21	NAJ1280	COVER end	1
22	511340	JOINT for end cover	1
22	NH405060	NUT 5/16" ) End cover to water	9
23	WL600051	LOCKWASHER 5/16" ) pump casing	9
24	13833	PLUG 3/4" gas	1
25	185484	WASHER	1
26	13834	PLUG 1/2" gas	1
27	260241	WASHER	1
28	240380	UNION ) Crankcase	1
29	146855	WASHER ) drain	2

TP/LE/0181

Always quote Chassis No. when ordering parts

A7.3



D661/B06

WATER PUMP  
EWP.253  
PL 307758

Illust. ref.	Part	Description	Quantity per unit
30	X21393	CONNECTION rubber	2
31	CJ600344	CLIP hose	4
32	X41625	CONNECTION hose	1
33	511346	JOINT for elbow	1
34	CJ600444	CLIP hose	2
35	WAL2186	PIPE sub assembly by-pass	1
36	NAJ1478	PLUG special	1
37	233512	ADAPTER union	1
38	X42628	WASHER	1
39	547142	PIPE water delivery	1
40	272651	CONNECTION hose	2
41	CJ600264	CLIP hose	4
42	547141	ELBOW inlet	1
43	514010	ADAPTER elbow	1
44	185484	WASHER adapter	1
45	505688	JOINT )	1
46	227839	STUD 5/16" B.S.F.) Water pump to	4
47	WL600051	LOCKWASHER 5/16" ) timing case	4
48	NH405061	NUT 5/16" B.S.F. )	4
49	10622783	PIPE sub assembly water drain	1
50	258368	STUD 5/16" B.S.F.) Inlet elbow	3
51	NH405061	NUT 5/16" B.S.F. ) to front	3
52	WL600051	LOCKWASHER 5/16" ) engine support	3
53	146855	WASHER ) Water drain	2
54	604925	BOLT banjo ) pipe to	1
55	516251	CLIP ) crankcase	1

TP/LE/0181\*

Always quote Chassis No. when ordering parts

A7.5

Part No.	Part	Description	Quantity
Sub Group A.5B			
ENGINE PUMP CONTROLS UNIT EPC.91			
KAJ1031		BRACKET throttle and solenoid	1
HMJ1938		BRACKET cross-shaft	1
262358		HOUSING bearing	2
272524		PLATE blanking	2
184716		BEARING self-aligning	2
554316		SEAL oil	4
233023		PLUG 3/8" B.S.F.	2
6001B		WASHER	2
81992		CIRCLEP	2
K12755		ANCHOR washer	1
609401		CROSS-SHAFT	1
262343		LEVER	1
184535		LEVER	1
505811		ROD control	1
WH405061		NUT 5/16" B.S.F.	2
184718		BALL	1
539668		BALL	1
ENGINE PUMP CONTROLS			
910548		SOLENOID assembly	1
521433		ROD operating	1
12920559/4		BALL joint } for	1
WT695041		NUT 5/16" UNF } solenoid	1
279170		ANCHOR spring	1
222908		STUD 3/8" B.S.F. solenoid bracket to sump	4
25363226		SPRING	1
279170		ANCHOR return spring	1
FIXINGS			
BH404131		BOLT 1/4" B.S.F. x 1.7/8" )	3
BH404141		BOLT 1/4" B.S.F. x 1.3/4" )	1
WL600041		LOCKWASHER 1/4" )	4
WH404051		NUT 1/4" B.S.F. )	4
Bearing housings to cross-shaft			
BH404101		BOLT 1/4" B.S.F. x 1.1/4" )	2
WL600041		LOCKWASHER 1/4" )	2
WH404061		NUT 1/4" B.S.F. )	2
For levers			

D449/A03

ENGINE PUMP CONTROLS  
EPC.91  
PL 308159

Illust. ref.	Part	Description	Quantity per unit
Sub Group A.9B			
ENGINE PUMP CONTROLS UNIT EPC.91			
EBJ1031		BRACKET throttle and solenoid	1
NAJ1938		BRACKET cross-shaft	1
262358		HOUSING bearing	2
272524		PLATE blanking	2
184716		BEARING self aligning	2
554316		SEAL oil	4
233023		PLUG 3/8" B.S.F.	2
60010		WASHER	2
81992		CIRCLIP	2
K12755		ANCHOR washer	1
609401		CROSS-SHAFT	1
262343		LEVER	1
184535		LEVER	1
505811		ROD control	1
NH405061		NUT 5/16" B.S.F.	2
184718		BALL joint	1
539668		BALL joint	1
510549		SOLENOID assembly	1
521433		ROD operating )	1
10920559/4		BALL joint ) For	1
NT605041		NUT 5/16" UNF ) solenoid	1
279170		ANCHOR spring )	1
222908		STUD 3/8" B.S.F. solenoid bracket to sump	4
25263226		SPRING	1
279170		ANCHOR return spring	1
FIXINGS			
BH404131		BOLT 1/4" B.S.F. x 1.7/8" )	3
BH404141		BOLT 1/4" B.S.F. x 1.3/4" )	1
WL600041		LOCKWASHER 1/4" )	4
NH404061		NUT 1/4" B.S.F. )	4
		Bearing housings to cross-shaft	
BH404101		BOLT 1/4" B.S.F. x 1.1/4" )	2
WL600041		LOCKWASHER 1/4" )	2
NH404061		NUT 1/4" B.S.F. )	2
		For levers	

TP/LE/0383

Always quote Chassis No. when ordering parts

A9B.3

Illust. ref.	Part	Description	Quantity per unit
NH405061		NUT 5/16" B.S.F. )	1
WL600051		LOCKWASHER 5/16" ) For ball	1
NH404061		NUT 1/4" B.S.F. ) joints	1
WL600041		LOCKWASHER 1/4" )	1
WL600061		LOCKWASHER 3/8" ) Solenoid bracket	4
NH406061		NUT 3/8" B.S.F. ) to sump	4
SH405041		SCREW 5/16" B.S.F. ) Blanking	
		x 1/2" ) inner sump	2
205159		WASHER ) tappings	2
WL600051		LOCKWASHER 5/16" ) Return spring	1
NH405061		NUT 5/16" B.S.F. ) anchor	1
NH605041		NUT 5/16" B.S.F. ) Ball joint	1
WL600051		LOCKWASHER 5/16" ) to stop lever	1

D437/B19

FUEL INJECTION EQUIPMENT  
FIE.148/2  
PL 308160/2

Illust. ref.	Part	Description	Quantity per unit
		Sub Group A.10A FUEL INJECTION EQUIPMENT UNIT FIE.148/2 All parts as quoted on unit specification FIE.148 with the following exceptions:	
		REPLACEMENT PARTS	
	HAJ5065	PUMP •fuel injection F & M replaces ACU4326	1
	HAJ5591	PIPE sub assembly nozzle leak off replaces HAJ3140	2
	10805920	WASHER replaces 191588	6
	CBL6471	BOLT banjo fuel filter agglomerator replaces 606533	1
		ADDITIONAL PARTS	
	NAJ1415Y02	INJECTOR 17 mm	6
	NAJ1572	NUT union ) Leak off pipes	6
	NAJ1573	OLIVE ) to injectors	6
		PARTS DELETED	
	558670	NOZZLE sub assembly	6

TP/LE/0382\*

Always quote Chassis No. when ordering parts

A10A.1

D431/B03

FUEL INJECTION EQUIPMENT  
 FIE.148  
 PL 308160

D431/B04

Part No.	Part	Description	Quantity per unit
Sub Group A.10A			
FUEL INJECTION EQUIPMENT UNIT FIE.148			
FUEL PUMP GROUP			
ACU4326	PUMP	fuel injection (F & S)	1
ABU9824	LIFT PUMP		1
ABU7749	GASKET		1
534814	ADAPTER	) Fuel pipe	3
802068	WASHER	) connections	3
ABU7793	PLUG	) Oil drain	1
601389	WASHER	) Oil drain	1
ACU1578	PLUG	)	1
239098	WASHER	) Blanking gallery	1
ACU4280	PLUG	) Tappings	2
802063	WASHER	)	2
FUEL INJECTION EQUIPMENT			
WA2793	PIPE	sub assembly No.1-2-3 ) injection ) Pump to	3
WA2794	PIPE	sub assembly No.3-4-5 ) injection ) bracket	3
609523	BRACKET	support )	1
273284	UNION	) Injection pipe	6
273321	NUT	14 mm ) junction	6
WZ600091	LOCKWASHER	9/16" )	6
609686	PIPE	No.1 sub assembly )	1
609687	PIPE	No.2 sub assembly )	1
609688	PIPE	No.3 sub assembly ) Bracket to	1
609689	PIPE	No.4 sub assembly ) injectors	1
609690	PIPE	No.5 sub assembly )	1
609691	PIPE	No.6 sub assembly )	1
614543	BRACKET	)	1
218F20	CLAMPING PIECE	(triple) ) Injection	2
113827	BUSH	rubber ) pipes	6
WZ600081	LOCKWASHER	3/16" ) to pump	4
WH405061	NUT	5/16" B.S.F. ) flange and	4
SH406101	BOLT	3/8" B.S.F. x 1.1/4" ) crankcase	3
WZ600061	LOCKWASHER	3/8" )	3
SH406061	SCREEN	) Blanking fuel pump	1
145565	WASHER	) feeding spare tappets	2

TP/LE/0382

Always quote Chassis No. when ordering parts

A10A.1

FUEL INJECTION EQUIPMENT  
 FIE.148  
 PL 308160

D431/B04

Illust. ref.	Part	Description	Quantity per unit
		Sub Group A.10A	
		FUEL INJECTION EQUIPMENT UNIT FIE.148	
		FUEL PUMP GROUP	
ACU4326		PUMP fuel injection (F & M)	1
ABU9624		LIFT PUMP	1
ABU7749		GASKET	1
534814		ADAPTER ) Fuel pipe	3
802065		WASHER ) connections	3
ABU7793		PLUG ) Oil drain	1
601389		WASHER )	1
ACU1578		PLUG )	1
239098		WASHER ) Blanking gallery	1
ACU4280		PLUG ) tappings	2
802063		WASHER )	2
WA2793		PIPE sub assembly No.1-2-3 ) injection ) Pump to	3
WA2794		PIPE sub assembly No.3-4-5 ) bracket injection )	3
609523		BRACKET support )	1
273284		UNION ) Injection pipe	6
273321		NUT 14 mm ) junction	6
WF600091		LOCKWASHER 9/16" )	6
609686		PIPE No.1 sub assembly )	1
609687		PIPE No.2 sub assembly )	1
609688		PIPE No.3 sub assembly ) Bracket to	1
609689		PIPE No.4 sub assembly ) injectors	1
609690		PIPE No.5 sub assembly )	1
609691		PIPE No.6 sub assembly )	1
614543		BRACKET )	1
218K20		CLAMPING PIECE (triple) ) Injection	2
1138Z7		BUSH rubber ) pipes	6
WS600051		LOCKWASHER 5/16" ) to sump	4
NH405061		NUT 5/16" B.S.F. ) flange and	4
BH406101		BOLT 3/8" B.S.F. x 1.1/4" ) crankcase	3
WL600061		LOCKWASHER 3/8" )	3
SH406061		SCREW ) Blanking fuel pump	2
145565		WASHER ) facing spare tappings	2

FUEL INJECTION EQUIPMENT  
 FIE.148  
 PL 308160

D431/B05

Illust. ref.	Part	Description	Quantity per unit
614544		BRACKET )	2
218K20		CLAMPING PIECE (triple) )	2
1138Z7		BUSH rubber ) Injection	6
WS600051		LOCKWASHER 5/16" ) pipes to	4
NH405061		NUT 5/16" B.S.F. ) crankcase	8
WL600051		LOCKWASHER )	4
609525		STUD collared )	4
HAJ3019		BRACKET fuel pump mounting	1
323747		DOWEL	2
10624907		FLYWHEEL fuel pump	1
BH405261		BOLT 5/16" B.S.F. x 3.1/4" ) Pump to	4
WS600051		LOCKWASHER ) bracket	4
10807937		BRACKET timing )	1
BH406271		BOLT 3/8" B.S.F. x 3.3/8" )	1
605339		STUD 3/8" B.S.F. )	3
578865		WASHER 3/8" (special) ) Bracket	4
WL600061		LOCKWASHER 3/8" ) to sump	4
NH406061		NUT 3/8" B.S.F. )	3
60544		DOWEL )	2
258598		JOINT )	1
229684		ADAPTER ) Oil supply tapping	1
146855		WASHER ) in crankcase	1
HAJ3105		PIPE 1/4" sub assembly adapter to adapter block (sump)	1
245147		CLIP oil pipe to crankcase	1
CBL3372		ADAPTER block )	1
146855		WASHER ) To inner	2
266675		CAP nut ) sump flange	1
190347		PLUG 1/4" B.S.P.)	1
9545		PLUG drain 1/4" B.S.P.) To inner	1
146855		WASHER ) sump	1
HAJ3102		PIPE 6 mm sub assembly adapter block (sump) to fuel pump (feed)	1
AAU8912		BANJO BOLT ) For oil	1
802063		WASHER ) feed pipe	2

D431/B06

FUEL INJECTION EQUIPMENT  
FIE.148  
PL 308160

Illust. ref.	Part	Description	Quantity per unit
		FUEL FILTER GROUP	
HAJ3103		PIPE 10 mm sub assembly )	1
AAU8911		BANJO BOLT ) Oil drain	1
239098		WASHER replacement ) pipe	2
257693		HOUSING ) Fuel pump	1
170972		SEAL oil ) drive housing	1
10622513		COUPLING sub assembly	1
10806476/		COUPLING	1
43		COUPLING	1
X31724		PLATE driving	6
238711		SLEEVE	8
NAJ1265		PLATE adjusting	1
WA112081		WASHER 12 mm	2
243477		BOLT 3/8" B.S.F.	4
BH406211		BOLT 3/8" B.S.F. x 2.5/8"	2
CAL5803		LOCKNUT 3/8" B.S.F.	6
10806479		WASHER special	4
258438		HOUSING bearing sub assembly	1
262910		GEAR driving	1
257695		HOUSING bearing	1
192680		BEARING ball	1
233025		BEARING roller	1
234897		DISTANCE PIECE	1
234898		DISTANCE PIECE	1
219242		CIRCLIP	1
227899		CIRCLIP	1
609913		JOINT bearing housing to drive housing	1
238710		FLANGE coupling	1
119182		KEY	1
WC112081		WASHER 12 mm	1
861512		LOCKNUT 1/2" B.S.F.	1
SH405061		SCREW 5/16" B.S.F. ) x 3/4" ) Adjusting plate	2
WA108051		WASHER 8 mm ) to fuel pump	2
WL600051		LOCKWASHER 5/16" ) flywheel	2
WB407141		BOLT 7/16" B.S.F. x 1.3/4" ) Fuel	1
WL600071		LOCKWASHER 7/16" ) filter to	1
WB407061		NUT 7/16" B.S.F. ) bracket	1

TP/LE/0382

Always quote Chassis No. when ordering parts

A10A.7

FUEL INJECTION EQUIPMENT  
 FIE.148  
 PL 308160

D431/B07

Illust. ref.	Part	Description	Quantity per unit
		FUEL FILTER GROUP	
		NOZZLE GROUP	
ACU4261		FILTER fuel	1
ABU9642		ELEMENT replacement	2
560/3760		BANJO BOLT )	1
601389		WASHER ) No.1 boss	2
550214		ADAPTER )	1
601389		WASHER ) No.3 boss	1
550214		ADAPTER )	1
AAU3509		VALVE check ) No.4 boss	1
601389		WASHER )	2
37H741		VALVE check	1
606533		BANJO BOLT	1
13H2534		WASHER	3
WAL2801		PIPE 3/8" sub assembly fuel supply to lift pump inlet	1
HAJ3107		PIPE 3/8" sub assembly lift pump to filter No.1	1
HAJ3108		PIPE 3/8" sub assembly ) Filter	1
AAU8911		BANJO BOLT ) No.3 to	1
239098		WASHER ) fuel pump	2
HAJ3109		PIPE 10 mm sub assembly ) Spill	1
ACU2500		BANJO BOLT ) gallery to	1
802065		WASHER ) filter No.4	2
HAJ3446		PIPE 3/16" sub assembly filter bleed to bracket	1
53968		CLIP bleed pipe to sump	1
WAL4569		BRACKET filter support	1
227873		STUD 3/8" B.S.F.) Bracket	4
WL600061		LOCKWASHER 3/8" ) to sump	4
NH406061		NUT 3/8" B.S.F. )	4
BH407141		BOLT 7/16" B.S.F. x 1.3/4" ) Fuel	2
WL600071		LOCKWASHER 7/16" ) filter to	2
NH407061		NUT 7/16" B.S.F. ) bracket	2

TP/LE/0382

Always quote Chassis No. when ordering parts

A10A.9

D431/B08

FUEL INJECTION EQUIPMENT  
FIE.148  
PL 308160

Illust. ref.	Part	Description	Quantity per unit
		NOZZLE GROUP	
558670		NOZZLE sub assembly	6
NJJ1027		INSERT	6
191588		WASHER	6
H AJ3139		VALVE non return )	2
601810		SPRING )	1
239654		BALL 1/4" dia ) Injector	1
270319		WASHER ) leak off	1
600849		UNION adapter ) pipe to	1
		) cylinder	
		) head	
145565		WASHER	2
156885		LOCKNUT 1/8" B.S.P.)	2
H AJ3140		PIPE 3/16" sub assembly nozzle leak off	2
		pipe	
10618884		PIPE 3/16" sub assembly T-piece to	1
		non return valve	
609818		PIPE 3/16" sub assembly adapter to	1
		leak off gallery rear	
WAL5209		PIPE 3/16" sub assembly leak off	1
		gallery to bracket	
53968		CLIP pipe	2
232806		CLIP pipe	1
545470		T-PIECE	1
BFJ1016		BRACKET ) Filter and	1
609496		ADAPTER ) leak off	2
156885		LOCKNUT 1/8" B.S.P.) pipes to	2
WF600061		LOCKWASHER 3/8" ) crankcase	2
BH406101		BOLT 3/8" B.S.F. ) Bracket to	2
		x 1.1/4" ) sump flange	
WL600061		LOCKWASHER 3/8" ) and crankcase	2

TP/LE/0382\*

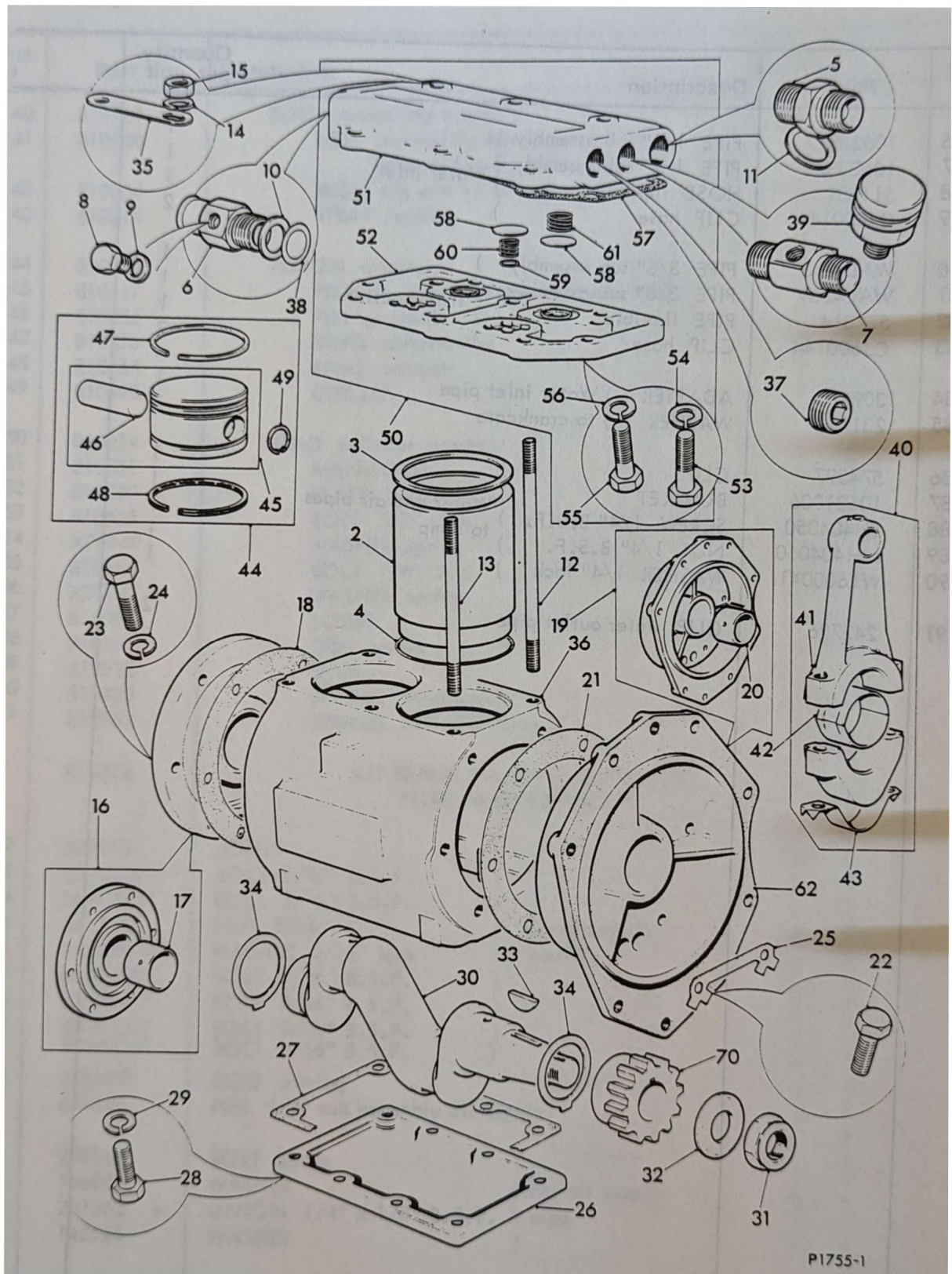
Always quote Chassis No. when ordering parts

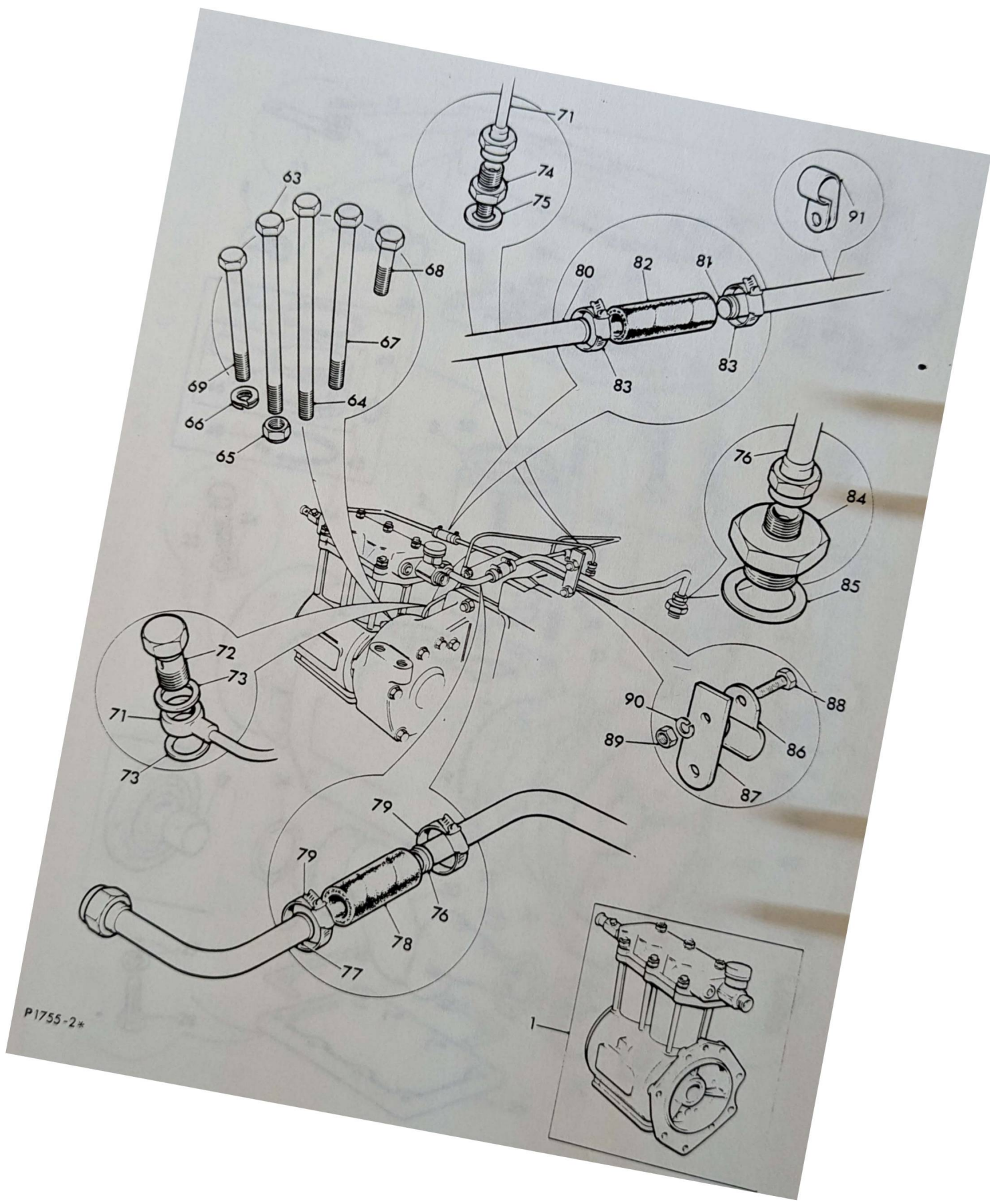
A10A.11

Illus. ref.	Part	Description	Quantity per unit
Sub Group A.11			
COMPRESSOR UNIT ECR. 127			
1	810094	COMPRESSOR assembly	1
2	810345	CYLINDER	2
3	810342	JOINT cylinder head	2 *
4	810558	O-RING	2 *
5	810466	ADAPTER special	2
6	611301	ADAPTER special	1
7	810463	ADAPTER	1
8	810434	PLUG	2
9	810435	WASHER copper	2 *
10	241329	WASHER copper	2 *
11	810572	WASHER copper	2 *
12	810529	STUD 3/8" UNC/UNF	3
13	810473	STUD 3/8" UNC/UNF	3
14	X75949	WASHER spring	6
15	NH606041	NUT 3/8" UNF	6
16	810124	COVER rear end assembly	1
17	810374	BUSH wrapped	1 *
18	810320	JOINT end cover	1 *
19	810112	COVER drive end assembly	1
20	810317	BUSH wrapped	1 *
21	810344	JOINT end cover	1 *
22	SH505061	BOLT 5/16" UNC	6
23	SH505071	BOLT 5/16" UNC	6
24	X75948	WASHER spring	6
25	810321	STRAP locking	3 *
26	810336	PLATE base cover	1
27	810343	JOINT base cover plate	1 *
28	810585	BOLT 1/4" UNC	8
29	X75947	WASHER spring	8
30	810340	CRANKSHAFT	1
31	810394	NUT	1 *
32	810389	WASHER plain	1
33	810429	KEY	1 *
34	810316	WASHER thrust	2 *
35	810443	NAMEPLATE	1
36	810308	CRANKCASE	1
37	810433	PLUG	2
38	810444	SHIM	2 *
39	810180	VALVE safety	1

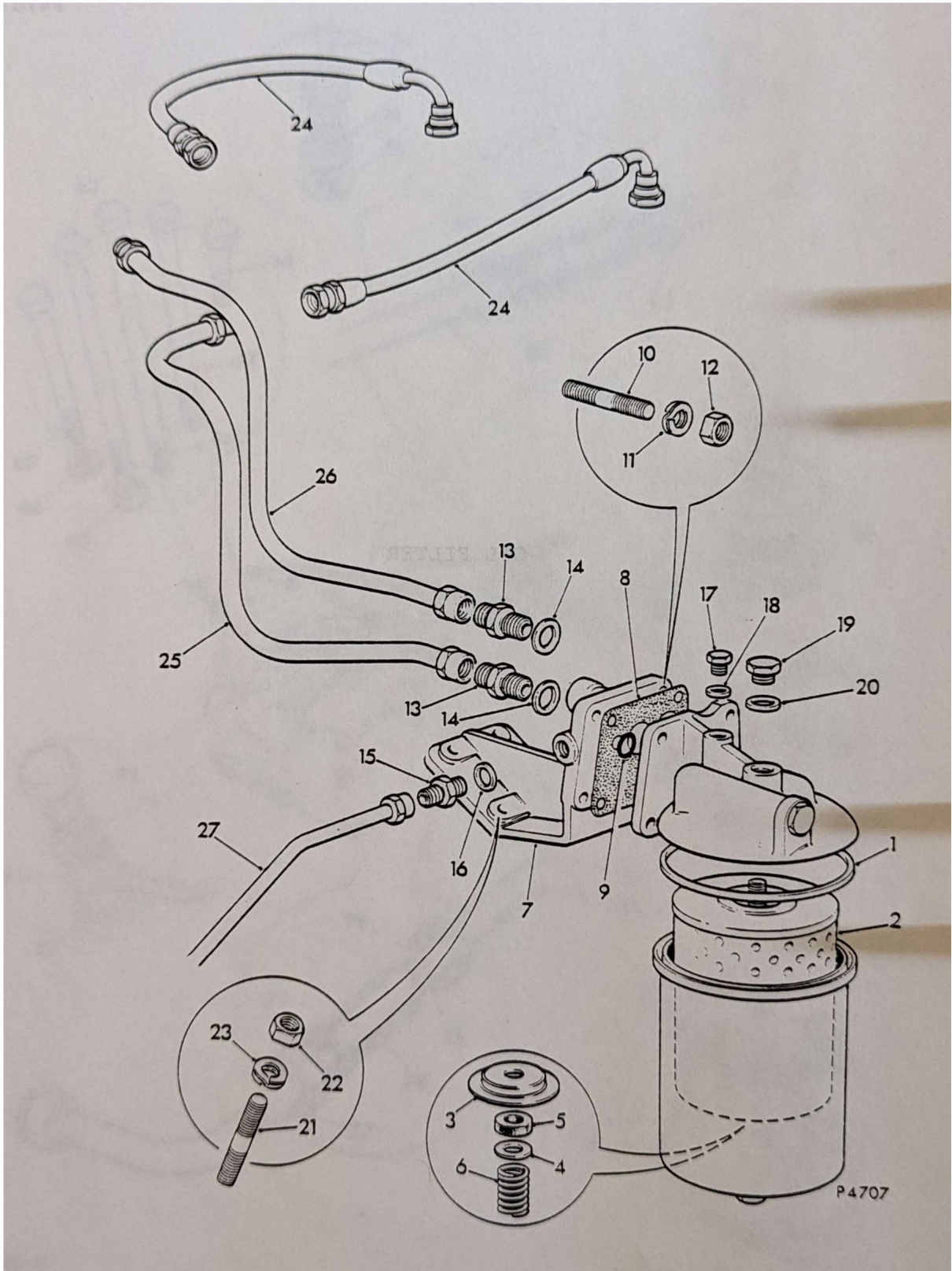
Illus. ref.	Part	Description	Quantity per unit
40	810110	ROD connecting assembly	2
41	810109	ROD connecting sub assembly with bolts and small end bush	2
42	810304	BUSH big end in halves	2 pair *
43	810314	STRAP locking	2 *
44	810113	PISTON assembly	2
45	810117	PISTON complete with gudgeon pin	2
46	810355	PIN gudgeon	2
47	810356	RING compression	8
48	810364	RING scraper	2
49	810398	CIRCLIP	4 *
50	810214	HEAD cylinder assembly	1
51	810559	MANIFOLD	1
52	810560	PLATE base	1
53	810565	BOLT 3/8" UNC	2
54	X75949	WASHER spring	2
55	810564	BOLT 1/4" UNC	2
56	X75947	WASHER spring	2
57	810562	JOINT	1 *
58	810561	DISC valve	4 *
59	810538	SHIM	2
60	810323	SPRING inlet valve	2 *
61	810563	SPRING delivery valve	2 *
	810222	KIT REPAIR MAJOR COMPRISING ITEMS MARKED THUS *	
62	609913	JOINT )	1
63	BH405321	BOLT 5/16" B.S.F. )	3
64	BH405381	BOLT 5/16" B.S.F. )	1
65	861505	NUT 5/16" )	6
66	WL600051	WASHER 5/16" lock )	3
67	BH405301	BOLT 5/16" B.S.F. )	2
68	BH405101	BOLT 5/16" B.S.F. )	1
69	BH405221	BOLT 5/16" B.S.F. )	1
	BH405341	BOLT 5/16" B.S.F. )	1
70	257699	DOG driving	1
71	604608	PIPE 1/4" sub assembly oil supply	1
72	239504	BOLT banjo )	1
73	146855	WASHER ) For oil supply	2
74	231962	UNION 1/4" x 1/8" B.S.P. ) pipe	1
75	145565	WASHER )	1

Illus. ref.	Part	Description	Quantity per unit
76	10623877	PIPE 1/2" sub assembly )	1
77	10623878	PIPE 1/2" sub assembly )	1
78	511331	HOSE flexible )	1
79	CJ600144	CLIP hose )	2
80	WAL4263	PIPE 3/8" sub assembly )	1
81	WAL4264	PIPE 3/8" sub assembly )	1
82	577314	PIPE flexible )	1
83	CJ600144	CLIP hose )	2
84	309870	ADAPTER )	1
85	231746	WASHER )	1
86	574597	CLIP )	1
87	10621006	BRACKET )	1
88	SH404050	SCREW 1/4" B.S.F. )	1
89	NH404060	NUT 1/4" B.S.F. )	1
90	WL600041	WASHER 1/4" lock )	1
91	242726	CLIP water outlet pipe	2





Part No.	Part	Description	Quantity per unit
		Sub Group A.13	
		OIL FILTER UNIT EOF.119	
1	ACH1009	PLATE oil assembly	1
2	ACH7866	O-RING	1
3	ACH7808	ELEMENT	1
4	ACH9808	PLATE Locking	1
5	ACH9809	WASHER rubber	1
6	ACH9910	WASHER	1
6	ACH9911	SPRING	1
7	ACH1861	BRACKET oil filter	1
8	ACH3101	SCREW	1
9	ACH5003	O-RING	1
10	ACH2911	STUD 3/8" B.S.F.	Filter to bracket
11	ACH5006	LOCKWASHER 3/8"	bracket
12	ACH406061	NUT 3/8" B.S.F.	1
13	ACH29723	BODY OIL FILTER	2
14	ACH185484	WASHER	Filter bracket
15	ACH2135ER	ADAPTER	1
16	ACH4262B	WASHER	1
17	ACH5429	PLUG	Filter
18	ACH1462	PLUG	Cappings
19	ACH294996	PLUG	1
20	ACH42629	WASHER	1
21	ACH29723	BODY 3/8"	Filter bracket
22	ACH406061	NUT 3/8"	to sump
23	ACH5006	LOCKWASHER 3/8"	1
24	ACH12927	PIPE sub assembly flexible	2
25	ACH12927	PIPE sub assembly crankcase to filter	1
26	ACH12926	PIPE sub assembly filter to crankcase	1
27	ACH12926	PIPE sub assembly oil filter to sump	1



D662/A03

OIL FILTER  
EOF.119  
PL 307759

Illust. ref.	Part	Description	Quantity per unit
		Sub Group A.13	
		OIL FILTER UNIT EOF.119	
	ACU1009	FILTER oil assembly	1
1	ABU7866	O-RING	1
2	ACU1608	ELEMENT	1
3	ABU9908	PLATE location	1
4	ABU9909	WASHER	1
5	ABU9910	WASHER rubber	1
6	ABU9911	SPRING	1
7	NAJ1841	BRACKET oil filter	1
8	KJJ1071	JOINT	1
9	CAL6003	O-RING	2
10	222911	STUD 3/8" B.S.F.) Filter to	4
11	WS600061	LOCKWASHER 3/8" ) bracket	4
12	NH406061	NUT 3/8" B.S.F. )	4
13	229723	BODY union )	2
14	185484	WASHER ) Filter bracket	2
15	233512	ADAPTER ) tappings	1
16	X42628	WASHER )	1
17	542996	PLUG )	1
18	146855	WASHER ) Filter	1
19	294996	PLUG 1/2" gas ) tappings	1
20	X42629	WASHER )	1
21	222911	STUD 3/8" B.S.F.) Filter bracket	4
22	NH406061	NUT 3/8" B.S.F. ) to sump	4
23	WS600061	LOCKWASHER 3/8" )	4
24	WAL4065	PIPE sub assembly flexible	2
25	HAJ2927	PIPE sub assembly crankcase to filter	1
26	HAJ2928	PIPE sub assembly filter to crankcase	1
27	HAJ2926	PIPE sub assembly oil filter to sump	1

TP/LE/1181\*

Always quote Chassis No. when ordering parts

A13.3

2431/810

STARTER MOTOR  
SM.142  
PL 200497

Illust. ref.	Part	Description	Quantity per unit
		Sub Group A.16	
		STARTER MOTOR UNIT SM.142	
850604		MOTOR starter Butec MS1/3	1
614164		JOINT starter motor flywheel) housing )	1
BH410191		BOLT 5/8" B.S.F. x 2.3/8" ) Starter	1
WL600101		LOCKWASHER 5/8" ) motor to	2
BH410241		BOLT 5/8" B.S.F. x 3" ) distance	1
NH410061		NUT 5/8" B.S.F. ) block	1
613972		BLOCK distance )	1
		SURFACES AND FINISHES	

TP/LE/0379\*

Always quote Chassis No. when ordering parts

A16.1

D431/B10

SUNDRIES AND FINISHES  
 ESF.54  
 PL 308161

Part No.	Part	Description	Quantity per unit
Sub Group A.26			
SUNDRIES AND FINISHES UNIT ESF.54			
13834	PLUG	1/2" B.S.P.) For top water	2
X42629	WASHER	) cover rear	2
283104	HANDLE	lifting	1
BB409221	BOLT	9/16" B.S.F. )	1
		x 2.3/4" )	
BB409201	BOLT	9/16" B.S.F. ) Lifting handle	1
		x 2.1/2" ) to crankcase	
WA600091	WASHER	9/16" )	1
WL600091	LOCKW		2
<b>SUNDRIES AND FINISHES</b>			
SH407061	SCREW	7/16" B.S.F.) Blanking suspension	8
600038	WASHER	) facings	8
BB406041	SCREW	3/8" B.S.F.) Blanking crankcase	20
		x 1/2" ) cappings right	
145565	WASHER	) hand side	20

TP/LE/0383

Always quote Chassis No. when ordering parts

A26.1

SUNDRIES AND FINISHES

ESF.54

PL 308161

D431/B11

Illust. ref.	Part	Description	Quantity per unit
		Sub Group A.26	
		SUNDRIES AND FINISHES ENGINE UNIT ESP.1	
		SWITCH Inval Sub Group A.26	
		WASHER	
		SUNDRIES AND FINISHES UNIT ESF.54	
		CAP protection	
		WASHER	
	13834	PLUG 1/2" B.S.P.) For top water	2
	X42629	WASHER ) cover rear	2
	283104	HANDLE lifting	1
	BH409221	BOLT 9/16" B.S.F. ) x 2.3/4" )	1
	BH409201	BOLT 9/16" B.S.F. ) Lifting handle x 2.1/2" ) to crankcase	1
	WA600091	WASHER 9/16" )	1
	WL600091	LOCKWASHER 9/16" )	2
	SH407061	SCREW 7/16" B.S.F.) Blanking suspension	8
	600038	WASHER ) facings	8
	SH406041	SCREW 3/8" B.S.F.) Blanking crankcase x 1/2" ) tappings right	20
	145565	WASHER ) hand side	20

TP/LE/0383\*

Always quote Chassis No. when ordering parts

A26.3

TP/LE/0381\*

## SUNDRIES &amp; FINISHES ENGINE

SFE.1

PL 308163

D431/B16

Illust. ref.	Part	Description	Quantity per unit
		Sub Group A.12A	
		SUNDRIES AND FINISHES ENGINE UNIT SFE.1	
	310435	SWITCH insulated pressure return	1
	146855	WASHER	1
	617080	SWITCH thermal	1
	10867474	CAP protection	1
	X42629	WASHER	1

Always quote Chassis No. when ordering parts

TP/LE/0381\*

A12A.1

**B - ENGINE MOUNTING,  
CLUTCH, COOLING,  
HEATING**

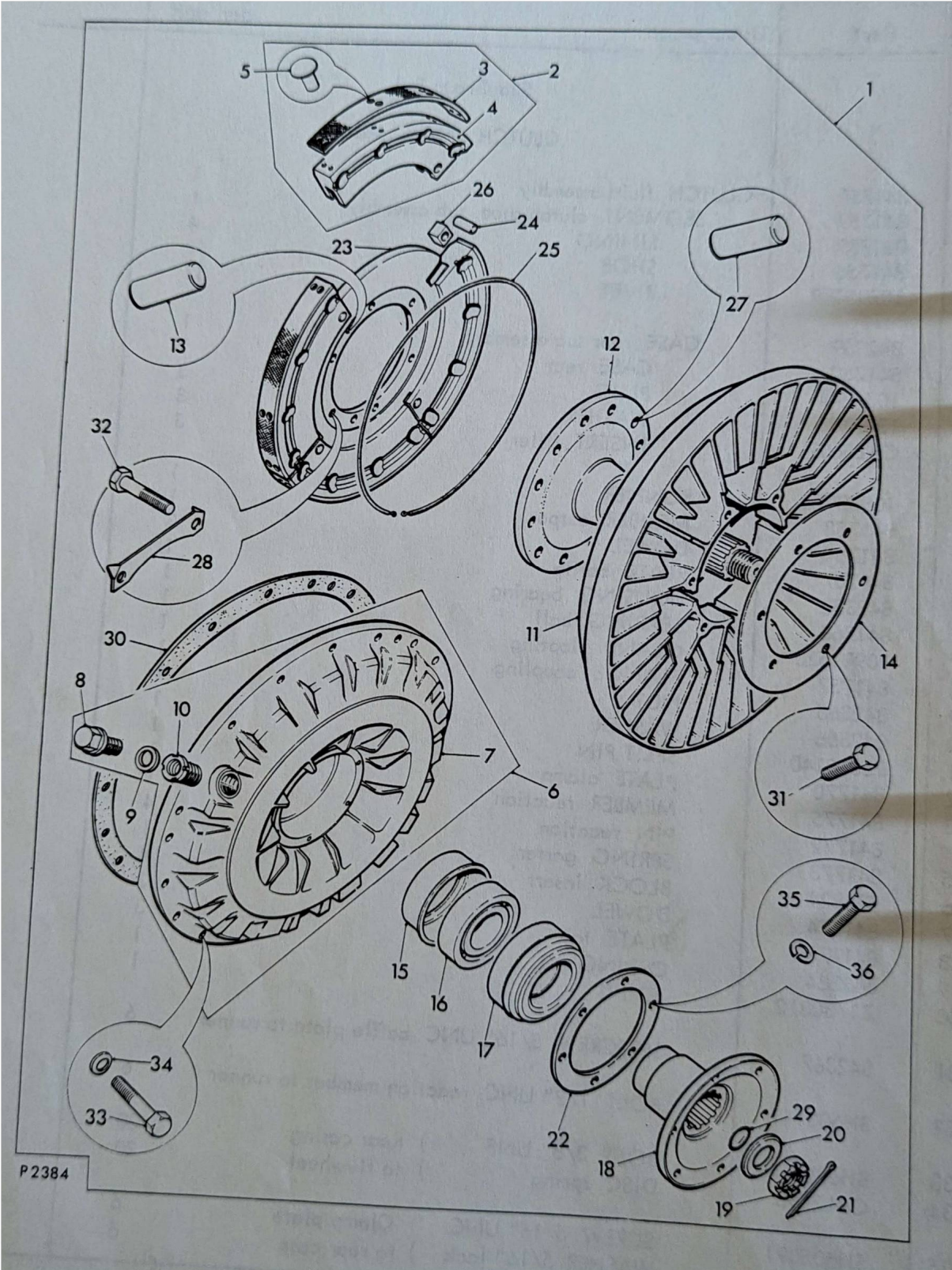
CLUTCH  
C.66B  
PL 101120  
P2384

Illus. ref.	Part	Description	Quantity per unit
Sub Group B.1			
CLUTCH UNIT C.66B			
1	841751	CLUTCH fluid assembly	1
2	841759	SEGMENT clutch shoe sub assembly	4
3	861739	LINING	4
4	841756	SHOE	4
5	10905089	RIVET	32
6	842369	CASE rear sub assembly	1
7	841760	CASE rear	1
8	103-244	PLUG	3
9	138-195	WASHER	3
10	CAL6639	INSERT filler	3
11	10888994	RUNNER	1
12	841758	MEMBER output	1
13	841764	DOWEL	3
14	841767	PLATE baffle	1
15	842352	HOUSING bearing	1
16	841763	BEARING ball - 5/8 to 365057	1
17	10911523	GLAND floating	1
18	841757	FLANGE coupling	1
19	842365	NUT	1
20	842366	WASHER	1
21	PS610140	SPLIT PIN	1
22	841770	PLATE clamp	1
23	841775	MEMBER reaction	1
24	841772	PIN reaction	4
25	841773	SPRING garter	1
26	576824	BLOCK insert	4
27	841774	DOWEL	3
28	841771	PLATE tab	3
29	842364	O-RING	1
30	Z1/30812	JOINT	1
31	842367	SETSCREW 5/16" UNC baffle plate to runner	6
32	BH508141	BOLT 1/2" UNC reaction member to runner	6
33	BH606111	BOLT 3/8" UNF ) Rear casing	20
34	CAL7093	DISC spring ) to flywheel	20
35	SH505091	SCREW 5/16" UNC ) Clamp plate	6
36	WL600051	WASHER 5/16" lock ) to rear case	6

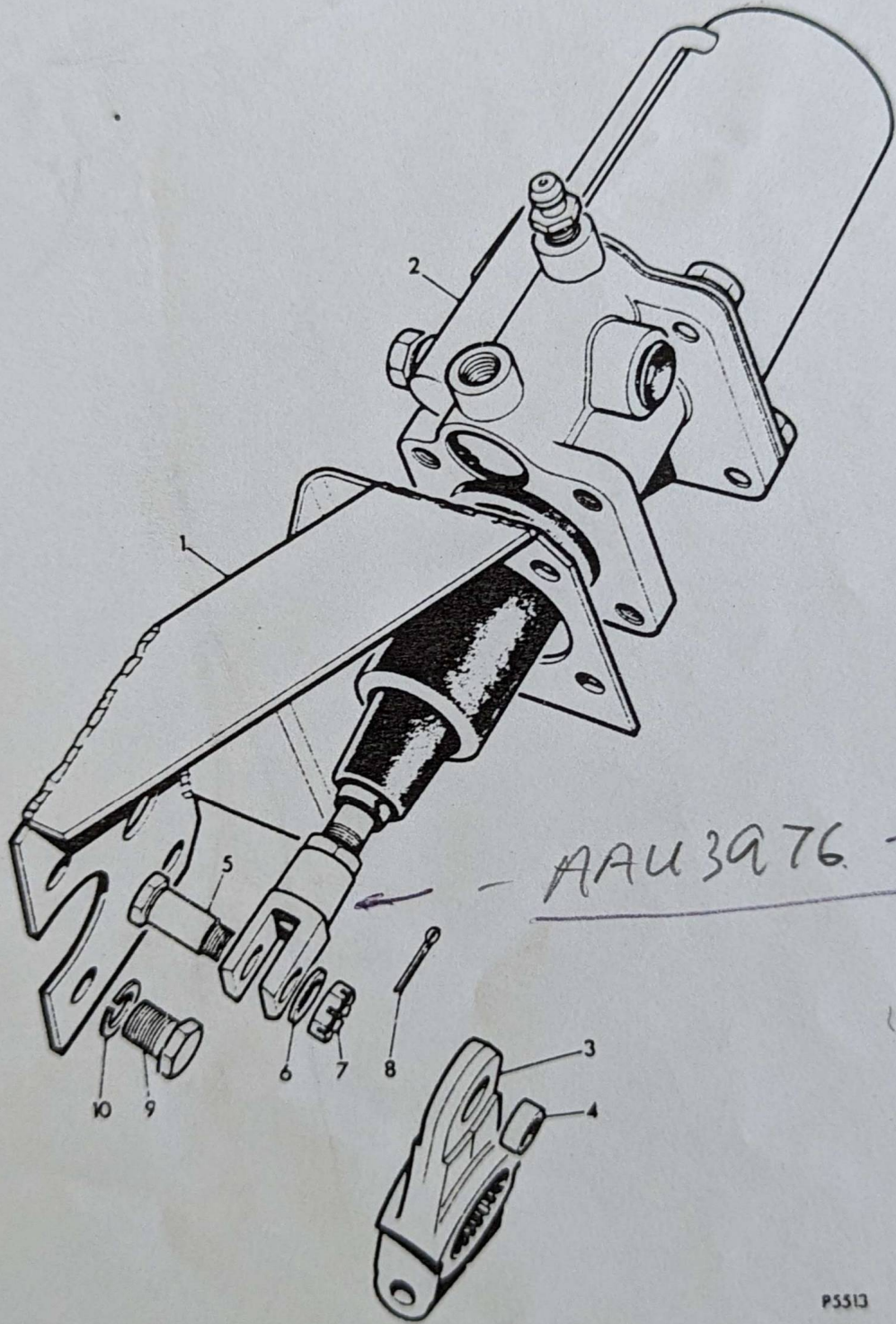
TP/LE/1076\*

Always quote Chassis No. when ordering parts

B1.1



P 2384





LEOPARD SPEC.

CLUTCH WITHDRAWAL GEAR  
CWG.109  
PL 309284

D2121/A09

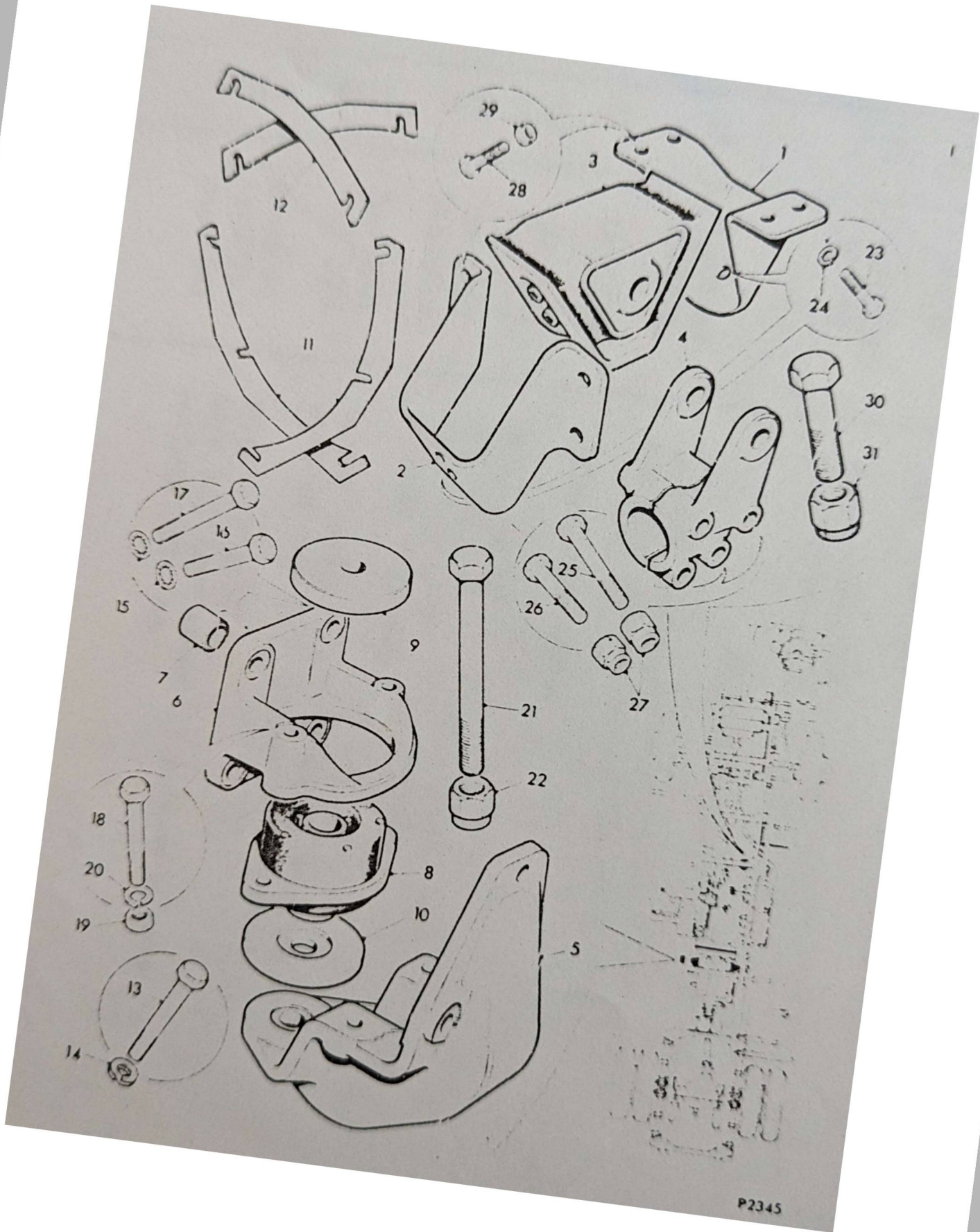
Inst. ref.	Part	Description	Quantity per unit
Sub Group B.2			
CLUTCH WITHDRAWAL GEAR UNIT CWG.109			
1	HLK2716	BRACKET servo mounting	1
2	10889832 ABU2420	SERVO cylinder assembly KIT service	1 as reqd
3	NLK2237	LEVER clutch operating shaft	1
4	Z5/10233	BUSH	1
5	839916	PIVOT PIN )	1
6	WA108051	WASHER 8 mm ) Jaw end	1
7	ND605041	NUT 5/16" UNF ) to lever	1
8	PS604080	SPLIT PIN )	1
FIXINGS			
	SH505071	SCREW 5/16" UNC x 7/8" ) Servo to	4
	WL600051	LOCKWASHER 5/16" ) bracket	4
9	NLK2751	SCREW special 12 mm ) Bracket to	4
10	WL112001	LOCKWASHER 12 mm ) housing	4
	GH110101	BOLT 10 mm x 50 mm )	1
	WL110001	LOCKWASHER 10 mm ) Lever to shaft	1
	NH110041	NUT 10 mm )	1

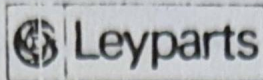
Always quote Chassis No. when ordering parts

TP/LE/0182\*

B2.3

Illust. ref.	Part	Description	Quantity per unit
Sub Group B.3			
ENGINE MOUNTING UNIT ME.139			
591964		MOUNTING engine front (front half)	1
591965		MOUNTING engine rear (rear half)	1
10923173		MOUNTING rubber	1
10900193		BRACKET engine front support	1
10923952		BRACKET engine mounting sub assembly	2
843560		BRACKET engine mounting gearbox	2
10898926		MOUNTING Metacone	2
10898925		WASHER rebound	2
843580		DISTANCE WASHER	2
594238		BOLT 10 mm )Bracket to	4
WL110001		LOCKWASHER 10 mm )Getefo rubber	4
BH608411		BOLT 1/2" UNF )Support bracket	2
BH608261		BOLT 1/2" UNF )to engine support	2
577847		NUT turret )	4
591989		BOLT 3/8" UNF x 1.1/8" )Mounting bracket	2
594742		NUT 3/8" UNF )to crossmember	8
BH120281		BOLT 20 mm )Front support	1
NV120041		NUT 20 mm prev torque)bracket to mounting	1
861847		BOLT 9/16" UNC )Engine mounting	8
WF600091		WASHER 9/16" shakeproof)brackets to fly-	8
10924271		DOWEL )wheel housing	4
BH607221		BOLT 7/16" UNF )Metacone to	4
NH607041		NUT 7/16" UNF normal)engine mounting	4
WL600071		LOCKWASHER 7/16" )bracket	4
BH612401		BOLT 3/4" UNF )Rebound washer to	2
579178		LOCKNUT 3/4" UNF )Metacone mounting	2
BT608121		BOLT 1/2" UNF )Engine mounting	4
NH608041		NUT 1/2" UNF normal )bracket to	10
WF600081		WASHER 1/2" shakeproof )frame	10
BT608141		BOLT 1/2" UNF )	6
BH507141		BOLT 7/16" UNC )Gearbox bell	10
BH507161		BOLT 7/16" UNC )housing to	2
WS600071		WASHER 7/16" spring )flywheel housing	12

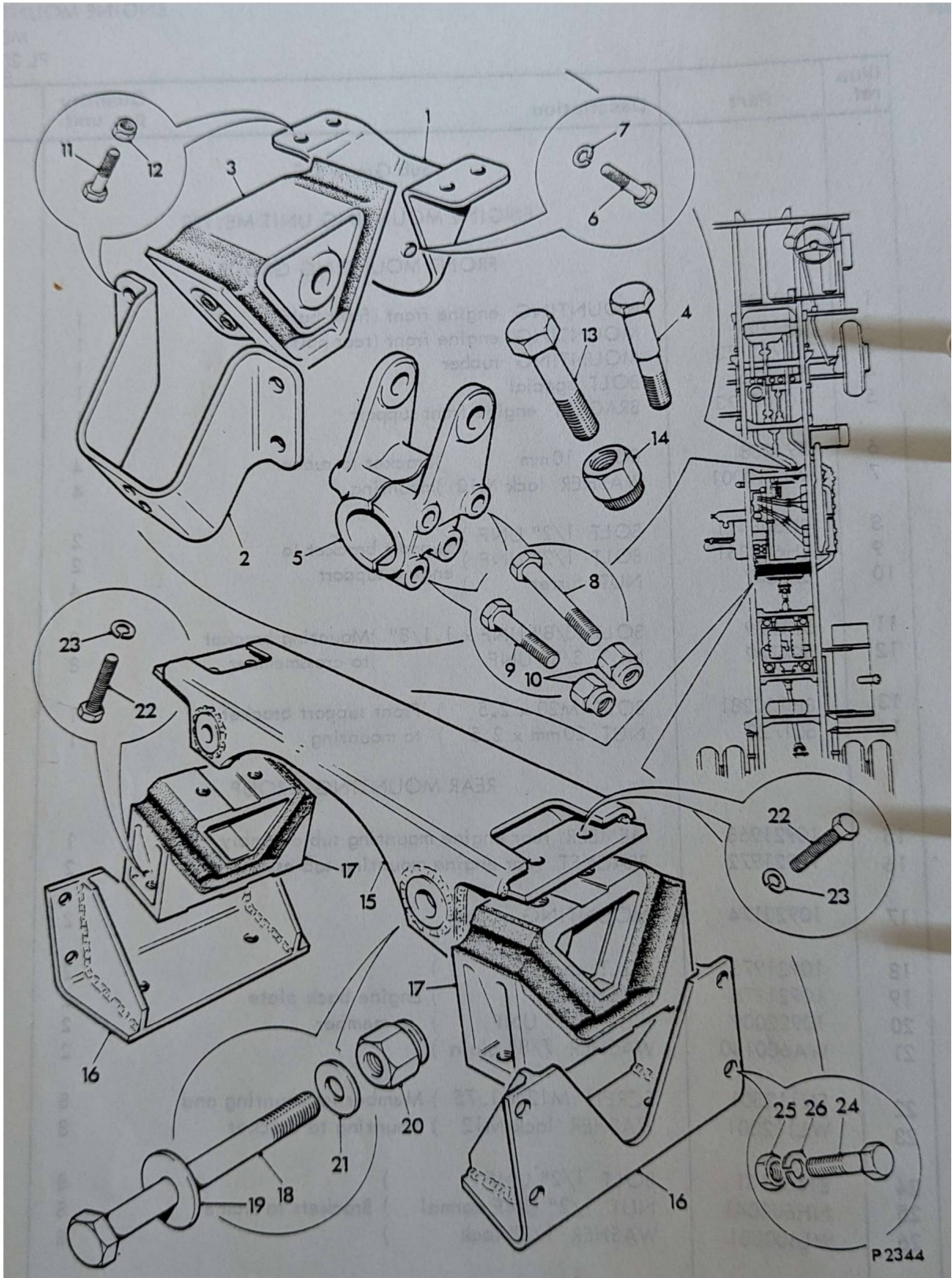




ENGINE MOUNTING  
ME. 858  
PL 103299  
P2345

Illus ref	Part	Description	Quantity per unit
Sub Group B.3			
ENGINE MOUNTING UNIT ME.858			
1	591964	MOUNTING engine front front half	1
2	591965	MOUNTING engine front rear half	1
3	10923173	MOUNTING rubber Getefo	1
4	10900193	BRACKET front engine support	1
5	843561	BRACKET engine mounting frame	2
6	843560	BRACKET engine mounting gearbox	2
7	842676	DOWEL hollow	4
8	841783	MOUNTING metacone <i>SIMILAR MOUNTING</i>	2 <i>is 10898926</i>
9	841745	WASHER rebound	2
10	843580	WASHER distance	2
11	848879	PACKING PIECE	2
12	848881	PACKING PIECE	2
13	BH407231	BOLT 7/16" B.S.F. ) Gearbox bell housing	10
14	WS600071	WASHER 7/16" spring ) to flywheel housing	10
15	WF600091	WASHER 9/16" Shakeproof ) Engine mounting	8
16	861847	BOLT 9/16" UNC ) brackets to gearbox	4
17	861848	BOLT 9/16" UNC )	4
18	BH607221	BOLT 7/16" UNF ) Metacone to engine	4
19	NH607041	NUT 7/16" UNF ) mounting bracket	4
20	WL600071	WASHER 7/16" lock )	4
21	BH612521	BOLT 3/4" UNF ) Rebound washer to	2
22	579178	NUT 3/4" UNF ) mount brackets	2
23	594238	BOLT 10 mm ) Bracket to	4
24	WL600061	WASHER 3/8" lock ) Getefo rubber	4
25	BH608411	BOLT 1/2" UNF ) Support bracket to	2
26	BH608261	BOLT 1/2" UNF ) engine support	2
27	577847	NUT turret )	4
28	591989	BOLT 3/8" UNF x 1.1/8" ) Mounting bracket	8
29	594724	NUT 3/8" UNF ) to crossmember	8
30	BH120281	BOLT M20 x 2.5" ) Front support	1
31	10803458	NUT 2 mm x 2.5" ) bracket to mounting	1

Illus. ref.	Part	Description	Quantity per unit
Sub Group B.3			
ENGINE MOUNTING UNIT ME.133			
FRONT MOUNTING GROUP			
1	591964	MOUNTING engine front (front half)	1
2	591965	MOUNTING engine front (rear half)	1
3	10923173	MOUNTING rubber	1
4	542775	BOLT special	1
5	10900193	BRACKET engine front support	1
6	594238	BOLT 10 mm )Bracket to rubber	4
7	WL110001	WASHER lock M10 )mounting	4
8	BH608411	BOLT 1/2" UNF )	2
9	BH608261	BOLT 1/2" UNF ) Support bracket to	2
10	577847	NUT turret ) engine support	4
11	591989	BOLT 3/8" UNF x 1.1/8" )Mounting bracket	8
12	594742	NUT 3/8" UNF )to crossmember	8
13	BH120281	BOLT M20 x 2.5 ) Front support bracket	1
14	801723	NUT 20mm x 2.5 ) to mounting	1
REAR MOUNTING GROUP			
15	10921968	MEMBER rear engine mounting sub assembly	1
16	10921972	BRACKET rear engine mounting sub assembly	2
17	10923174	MOUNTING rubber	2
18	10921975	BOLT special )	2
19	10921976	WASHER ) Engine back plate	2
20	10922009	NUT 7/8" UNF ) to member	2
21	WA600140	WASHER 7/8" plain )	2
22	SH112301	SCREW M12 x 1.75 ) Member to mounting and	8
23	WL112001	WASHER lock M12 ) mounting to bracket	8
24	BT608131	BOLT 1/2" UNF )	8
25	NH608041	NUT 1/2" UNF normal ) Brackets to frame	8
26	WL600081	WASHER 1/2" lock )	8



Illus. ref.	Part	Description	Quantity per unit
		Sub Group B.7	
		DYNAMO MOUNTING UNIT DM.32/1	
		All parts as quoted on unit specification DM.32 with the following exceptions:	
		REPLACEMENT PARTS	
	10618261	ALTERNATOR (CAV No.AC203/080/24-1) replaces 10867959	1
		WASHER saddle	4
		PIN For alternator strap	2
		NUT 1/2" UNF special	2
		NUT 1/2" UNF thin	2
		SCREW 1/2" UNF	4
		NUT 1/2" UNF normal Mounting bracket	4
		WASHER 1/2" lock	4
		WASHER M12 plain	4
		NUT 3/8" UNF normal For eccentric washer	2
		WASHER 3/8" lock	2
		WASHER M10 plain	2

Illus. ref.	Part	Description	Quantity per unit
Sub Group B.7			
DYNAMO MOUNTING UNIT DM.32			
	10924974 ✓	BRACKET mounting sub assembly	1
	10922492	STRAP alternator sub assembly	1
	10922367	WASHER eccentric sub assembly	2
	10867959	ALTERNATOR CAV AC203/060/24/1	1
	10900411	FLANGE coupling	1
*	10885324	BOLT ) <i>6" x 1/2" UNF</i>	2
	X65178	WASHER saddle ) For alternator strap	4
	861496	PIN )	2
	544583	NUT 1/2" UNF special )	2
	NT608041	NUT 1/2" UNF thin )	2
	SH608101	SCREW 1/2" UNF )	4
	NH608041	NUT 1/2" UNF normal ) Mounting bracket	4
	WL600081	WASHER 1/2" lock ) to crossmember	4
	WA112080	WASHER M12 plain )	4
	NH606041	NUT 3/8" UNF normal ) For eccentric washer	2
	WL600061	WASHER 3/8" lock )	2
	WA110060	WASHER M10 plain )	2

Illus. ref.	Part	Description	Quantity per unit
		Sub Group B.9	
		DYNAMO FAN SHAFTS UNIT DFS.23	
	849581	SHAFT propeller sub assembly	1
	849582	SHAFT propeller sub assembly	1
	589072	PEG BALL	1
	840901	SLEEVE	1
	570443	COUPLING	2
	570444	SLEEVE	8
	570445	WASHER	8
	570463	WASHER	8
	513463	SHAFT propeller sub assembly	1
	10900441	SHAFT driving sub assembly	1
	10900412	HOUSING	2
	579135	SHAFT driving	1
	551572	COUPLING	2
	562707	BOLT 3/8" UNF	4
	562708	SETSCREW 3/8" UNF	4

**C - GEARBOX,  
PROPELLER SHAFT,  
CHANGE SPEED**

Illus. ref.	Part	Description	Quantity per unit
		Sub Group C.1	
		GEARBOX UNIT GB.350D	
		RUNNING GEAR GROUP	
1	829448	GEARBOX assembly	1
2	544636	GEAR train 4th speed sub assembly	1
3	500064	PINION planet	3
4	500048	RACE inner	3
5	245210	ROLLER planet	126
6	500056	COLLAR spacing	12
7	544413	ANNULUS	1
8	544412	PLATE	1
9	543834	DISTANCE PIECE	3
10	543833 (8)	RIVET	6
11	500055	RIVET	3
12	541802	SUNWHEEL and brake drum sub assembly	1
13	500066	SUNWHEEL 3rd speed	1
14	500131	DRUM brake 3rd speed	1
15	500046	BUSH 3rd and 4th speed annulus	2
16	500067	BUSH 4th speed sunwheel	2
17	829454	CLUTCH sub assembly	1
18	827007	MEMBER clutch inner sub assembly	1
19	827010	MEMBER clutch inner	1
20	500044	PLATE rear clutch	1
21	507190 (5)	RIVET	6
22	511535	PLUG screwed	4
23	827008	PANEL clutch sliding sub assembly	1
24	827011	PANEL clutch sliding	1
25	500051	PLATE inner	1
26	560439	RIVET	12
27	500134	RING trunnion	1
28	299966 (8)	SETSCREW 5/16" UNF	4
29	842452	PLATE clutch inner	4
30	658014 (1)	PIN for clutch	6
31	505764	BEARING angular contact	1
32	500133	HOUSING clutch bearing	1
33	500030	PIN clutch actuating	2

GB. 350D  
PL 100826/D

Illus. ref.	Part	Description	Quantity per unit
			1
34	827009	CIRCLIP	6
35	500118	SPRING	5
36	821516	PLATE clutch outer	
			1
37	827410	SHAFT input	1
38	500029	PIN clutch pivot	1
39	518315	RING split	
			1
40	10868061	GEAR train 1st speed sub assembly	6
41	542268	PLANET	6
42	50956657	RACE inner planet wheel	6
43	50956658	BEARING needle roller	1
44	827409	CARRIER planet	1
45	542267	PLATE carrier	9
46	500055	RIVET 1/2" dia.	3
47	500047	DISTANCE PIECE	
			1
48	521148	ANNULUS 1st speed	1
49	521149	BUSH 1st speed annulus	1
50	521150	BUSH 1st speed carrier	
			1
51	829452	GEAR train 2nd speed sub assembly	5
52	500069	PINION planet	5
53	500068	RACE inner	140
54	270222	ROLLER	15
55	500065	COLLAR spacing	1
56	542266	PLATE carrier	1
57	500052	PLATE	5
58	500045	DISTANCE PIECE	5
59	500061	RIVET	5
60	500060	RIVET	5
61	827442	SHAFT output	1
(	518525/10	WASHER adjuster )	1
(	518525/12	WASHER adjuster )	1
(	518525/14	WASHER adjuster )	1
62	518525/16	WASHER adjuster )	1
(	518525/18	WASHER adjuster )	1
(	518525/20	WASHER adjuster )	1
(	518525/22	WASHER adjuster )	1
(	518525/24	WASHER adjuster )	1

Illus. ref.	Part	Description	Quantity per unit
63	554437	GEAR train 3rd speed sub assembly	1
64	500069	PINION planet	3
65	500068	RACE inner	3
66	270222	ROLLER	84
67	500065	COLLAR spacing	9
68	500125	ANNULUS	1
69	501198	DISTANCE PIECE	6
70	501199	RIVET 1/2" dia.	6
71	500060	RIVET 5/8" dia.	3
72	554050	ANNULUS	1
73	829453	GEAR train reverse speed sub assembly	1
74	500064	PINION planet	5
75	500048	RACE inner	5
76	245210	ROLLER	210
77	500056	COLLAR spacing	20
78	827406	CARRIER reverse planet	1
79	521164	PLATE carrier	1
80	500047	DISTANCE PIECE	5
81	500055	RIVET 1/2" dia.	10
82	500127	ANNULUS reverse speed	1
83	500053	SUNWHEEL reverse speed	1
84	500043	BUSH reverse annulus	1
85	500054	BUSH reverse sunwheel	2
86	825558	SLEEVE	1
87	505765	BEARING intermediate	1
88	500063	BUSH input shaft rear	1
89	500078	BUSH input shaft front	1
90	542265	BUSH 2nd speed carrier	1
BRAKE GEAR GROUP			
91	593549	BAND brake and linings assembly	5
92	593551	BAND brake external sub assembly	5
93	10921548	BAND brake external	5
94	593553	LINER external brake	5
95	10900804	RIVET	95
96	593552	BAND brake internal sub assembly	5
97	554178	BAND brake internal	5
98	593554	LINER internal brake	5
99	10900804	RIVET	130

Illus. ref.	Part	Description	Quantity per unit
100	508986 (L)	TABLE automatic adjusting sub assembly	5
101	508987	RING automatic adjusting sub assembly	5
102	500076	NUT	5
103	500081	SPRING automatic adjuster	5
104	508078	RACE cam roller sub assembly	5
105	500070	RACE cam roller outer	5
106	500071 (1)	RACE cam roller inner	5
107	231732 (8)	ROLLER needle	110
108	10897004 (1)	PLATE guide sub assembly	2
109	10923347 (5)	PIN cam roller	5
110	10923637 (1)	CIRCLIP cam roller pin	10
111	500077 (1)	SCREW adjuster	5
112	NH606041 (5)	NUT 3/8" UNF for adjuster screw	5
113	500097	PIN mills	5
114	500109	SHAFT operating lever short	1
115	827424	SHAFT operating lever	1
116	827425	SHAFT operating lever	1
117	282038 (1)	CIRCLIP operating lever shaft	4
118	500114 (1)	PIN link internal band	5
119	500103	ROD pull	5
120	500072 (5)	PIN	5
121	CAL1890	SPRING centraliser	10
122	500087 (1)	ROD piston	5
123	500084	PIN bearing piston rod	4
124	829095	PIN bearing piston rod 1st speed	1
125	282038	CIRCLIP	10
126	500124	PAD thrust	5
127	500083	LEVER operating thrust pad	4
128	827423	LEVER operating thrust pad	1
129	500095	BOLT eye	10
130	558237	LOCKNUT 5/8" UNF	10
131	WA116100	WASHER M16 plain	10
132	500116	BOLT eye	12
133	517112	LOCKNUT 3/8" UNF	12
134	WA110060	WASHER M10 plain	12
135	500094 (1)	CENTRALIZER nearside	5
136	500102 (1)	CENTRALIZER offside	5
137	827427	ROD centralizer long	2
138	500101	ROD centralizer short	2
139	500098	HOOK rear	5

Illus. ref.	Part	Description	Quantity per unit
140	500099 (1)	HOOK front	5
141	827426	ROD fulcrum	2
142	827428	DISTANCE PIECE	1
143	506649	DISTANCE PIECE .104" long	2
144	827430	DISTANCE PIECE .341" long	1
145	827431 (1)	DISTANCE PIECE	2
146	827432	DISTANCE PIECE .807" long	1
147	827433	DISTANCE PIECE 1.045" long	1
148	827434	DISTANCE PIECE 1.478" long	1
149	827435	DISTANCE PIECE 1.722" long	1
150	506654	DOWEL	(V) 4
151	10887376 (1)	CIRCLIP 3/8" centralizer rods	8
152	10887377 (1)	CIRCLIP 9/16" fulcrum rods	4
153	505461 (1)	LINK internal band	5
154	238560 (19)	CIRCLIP internal band link pin	10
155	827421 (1)	COVER cylinder block	1
156	10895354 (1)	COVER cylinder block	1
157	SH506101	SCREW 3/8" UNC )	(X) 4
158	SH506081	SCREW 3/8" UNC ) Cylinder covers	10
159	WS600061	WASHER 3/8" spring )	14
160	511542	SPRING piston return 1st and reverse speed	2
161	500085 (1)	SPRING piston return 2nd speed	(1) 1
162	500089 (1)	SPRING piston return 3rd speed	(1) 1
163	500088	SPRING piston return 4th speed	1
164	589911 (1)	PISTON 1st and reverse	(1) 2
165	589912	PISTON 2nd speed	1
166	589913 (1)	PISTON 3rd speed	1
167	589914	PISTON 4th speed	1
168	511512	LINER cylinder 1st and reverse	2
169	506637	LINER cylinder 2nd speed	1
170	506638	LINER cylinder 3rd speed	1
171	506639	LINER cylinder 4th speed	1
172	539657 (1)	SEAL external distributor 1st and reverse	4
173	539069 (1)	SEAL external distributor 2nd speed 594281	2
174	539070 (1)	SEAL external distributor 3rd speed 585242	2
175	539072 (1)	SEAL external distributor 4th speed 516283	2
176	589916	RING retaining 1st and reverse	4
177	589917	RING retaining 2nd speed	2
178	589918	RING retaining 3rd speed	2
179	589919	RING retaining 4th speed	2

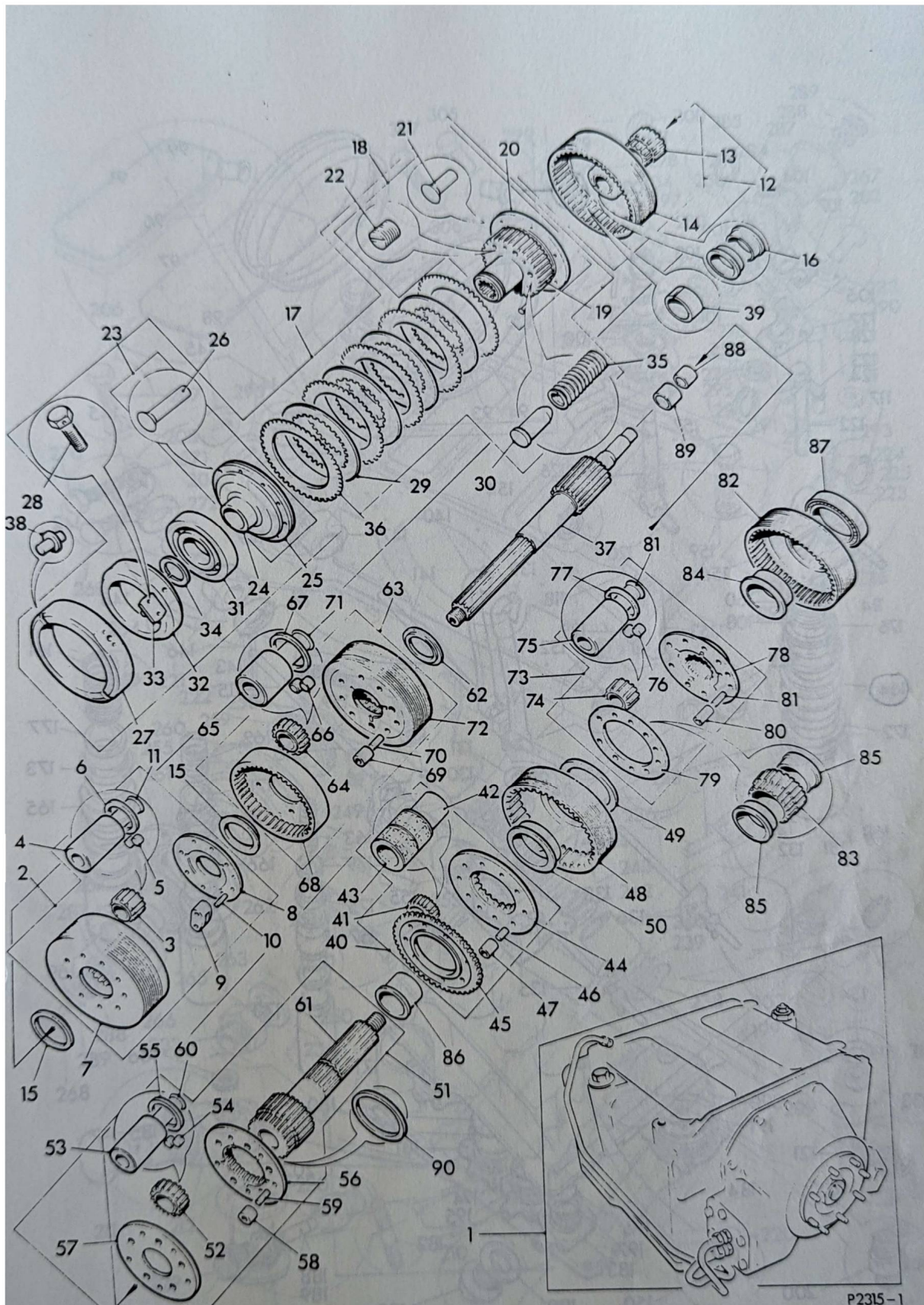
Illus. ref.	Part	Description	Quantity per unit
180	827402	PLATE cover cylinder 1st speed	1
181	827403	PLATE cover cylinder 2nd speed	1
182	827404	PLATE cover cylinder 3rd speed	1
183	827405	PLATE cover cylinder 4th speed	1
184	838661	PLATE cover cylinder reverse speed	1
185	NH606041	NUT 3/8" UNF )	20
186	WS600061	WASHER 3/8" spring ) Cover plates	20
187	827471	HOUSING restrictor	5
188	827472	VALVE restrictor	3
189	827474 (v)	VALVE restrictor	2
190	829583	O-RING )	2
191	829582	O-RING ) 1st and reverse	2
192	829580	O-RING )	1
193	829579	O-RING ) 2nd speed	1
194	829577	O-RING ) <i>new 4661</i>	2
195	829578 (v)	O-RING ) 3rd speed <i>new 469v</i>	2
196	829576	O-RING )	1
197	829577	O-RING ) 4th speed <i>new 4661</i>	1
198	9545 (v)	PLUG 1/4" drain	6
199	232470	WASHER	6
200	508057	ADAPTER	5
201	10870898 (v)	ADAPTER	6
202	146855	WASHER	11
CASING GROUP			
203	10921149	CASING gearbox sub assembly	1
204	836146	INSERT wire	16
205	827400	COVER inspection	2
206	827401	JOINT inspection covers	2
207	SH506081	SCREW 3/8" UNC )	28
208	WL600061	WASHER 3/8" lock ) inspection covers	28
209	10895373	COVER bottom and sump assembly	1
210	829041	STUD 3/8" UNC/UNF	22

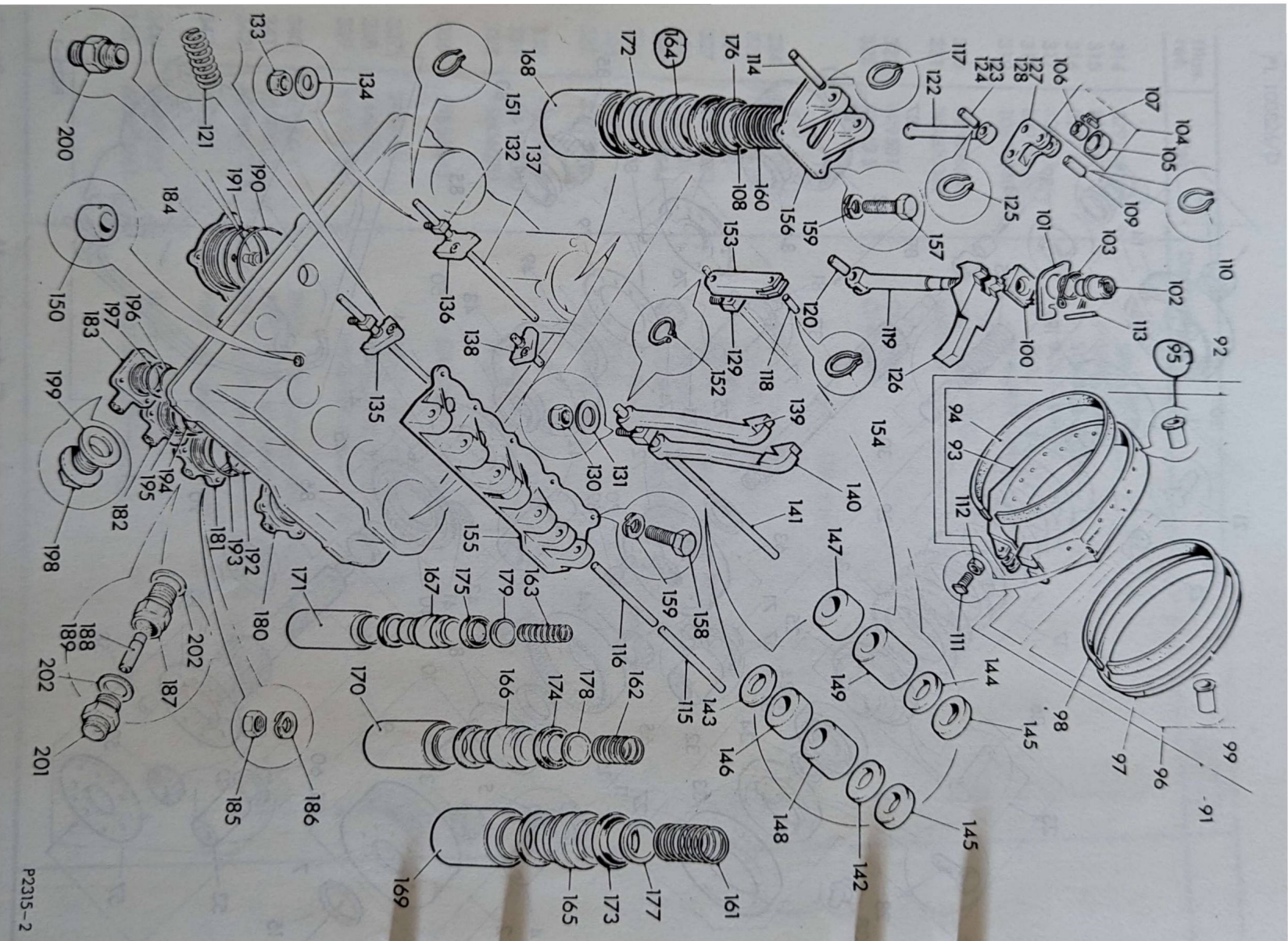
Illus. ref.	Part	Description	Quantity per unit
211	861950	BOLT banjo )	1
212	861951	BANJO ) Bottom cover and sump	1
213	X42629 (1)	WASHER )	2
214	BH506111	BOLT 3/8" UNC )	18
215	BH506141	BOLT 3/8" UNC )	15
216	BH506161	BOLT 3/8" UNC ) Bottom cover	5
217	WS600061	WASHER 3/8" spring ) to gearcase	35
218	829734	SEAL )	3
219	827398	JOINT )	1
220	506654	DOWEL - hollow	2
221	505619 (2)	DOWEL for pump	2
222	513491	JOINT for pump	1
223	520458 (2)	BREATHER filtered sub assembly	1
224	520463	SETSCREW breather	1
225	WL600081	WASHER 1/2" lock	1
226	509108 (1)	WASHER	1
227	827477	PLUG oil filler	2
228	829870 (8)	WASHER	2
229	599407	PLUG magnetic	1
230	511365 (4)	WASHER 10259482	1
231	240919 (2)	ADAPTER	2
232	829737	SEAL	4
233	835185	ADAPTER	2
234	829736 (4)	SEAL	2
235	241324 (12)	ADAPTER	1
236	10889874 (1)	FILTER oil sub assembly	1
237	829784	SETSCREW 1/4" for suction oil filter	1
238	838729 (1)	PLATE cover )	1
239	838742	O-RING )	1
240	829578	O-RING )	2
241	506640	LINER cylinder )	1
242	589920	RING retaining ) 5th speed	2
243	539071	SEAL external distributor )	2
244	589915	PISTON )	1
245	506661 (1)	SPRING return )	1
246	506662 (1)	PLATE )	1
247	SH506081	SCREW 3/8" UNC ) 5th speed	6
248	WL600061	WASHER 3/8" lock ) cylinder cover	6

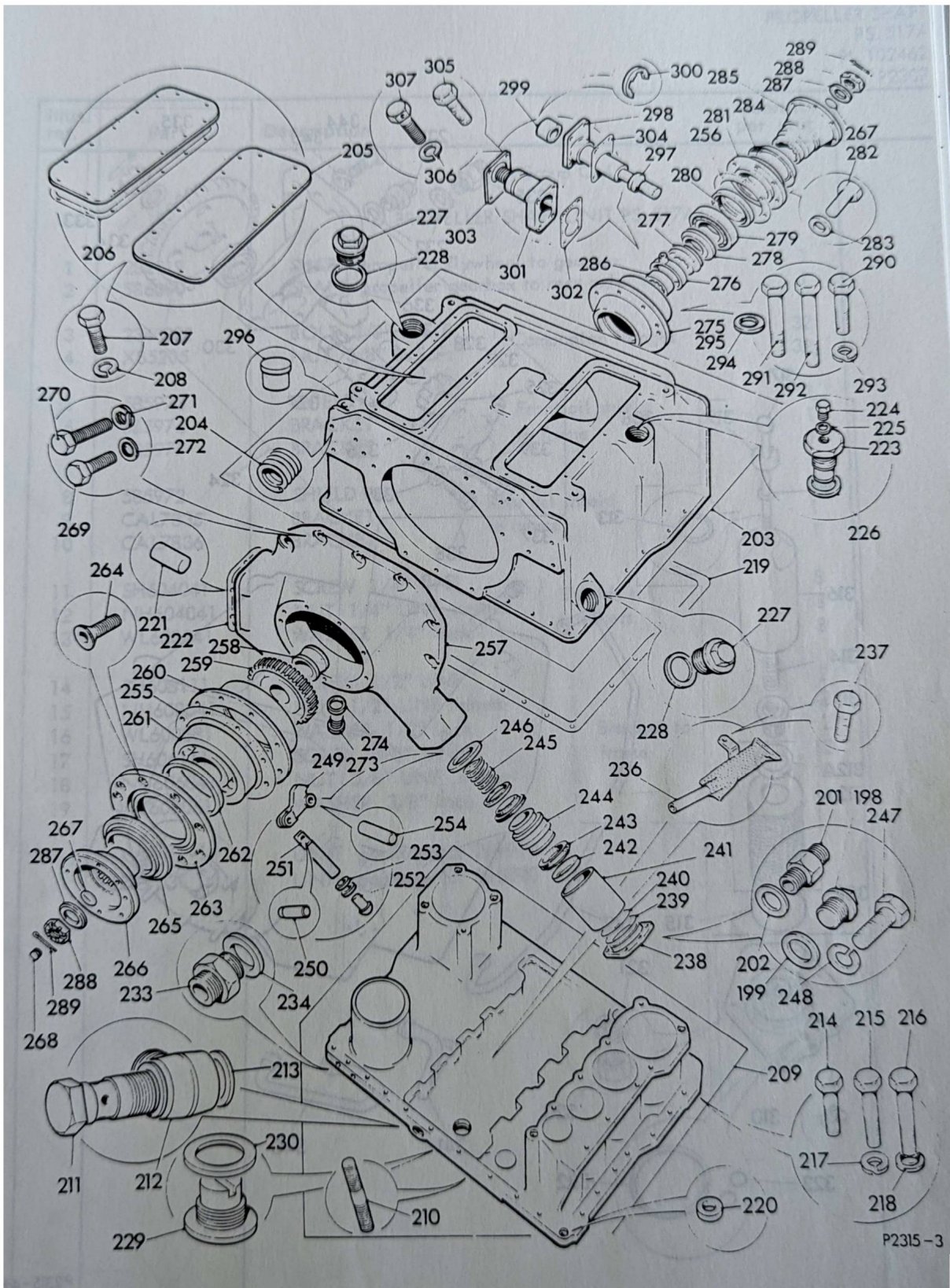
Illus. ref.	Part	Description	Quantity per unit
249	505760	LEVER clutch operating	1
250	506646	PIN	1
251	D28717	ROD piston top gear	1
252	D28718 (1)	BALL end piston rod	1
253	Z8/44846	WASHER distance .156" thick )	1
	Z8/44847	WASHER distance .343" thick ) as reqd.	1
	Z9/44861	WASHER distance .060" thick )	1
254	506658 (1)	PIN pivot clutch operating lever	1
255	10891397	GASKET	1
256	10891398	GASKET	1
257	827395	COVER front end	1
258	827436	DISTANCE PIECE	1
259	843456 (1)	GEAR driving pump and power take off	1
260	827414	HOUSING input bearing	1
261	505762	BEARING input	1
262	829574 (1)	SEAL oil	1
263	10892393 (1)	HOUSING input oil seal	1
264	848159	SCREW 3/8" UNC socket head	9
265	827412	FLINGER mud	1
266	827411	FLANGE input coupling	1
267	517521 (1)	RING seal	2
268	508186	PLUG screwed fan input shaft	1
269	SH508111	SCREW 1/2" UNC )	9
270	BH508151	BOLT 1/2" UNC ) Front cover	2
271	WS600081	WASHER 1/2" spring ) to gearcase	8
272	829735	WASHER seal )	3
273	13834 (1)	PLUG drain	1
274	X42629 (1)	WASHER	1
275	827399	COVER rear end	1
276	10886943	MUFF oil rear	1
277	10893530	GEAR speedometer driving	1
278	505583	WASHER distance	1
279	505763	BEARING output	1
280	544142 (1)	SEAL oil 1095774	1
281	10892392	HOUSING output oil seal	1
282	SH506101	SCREW 3/8" UNC )	7
283	829734	SEAL ) Output seal housing	7

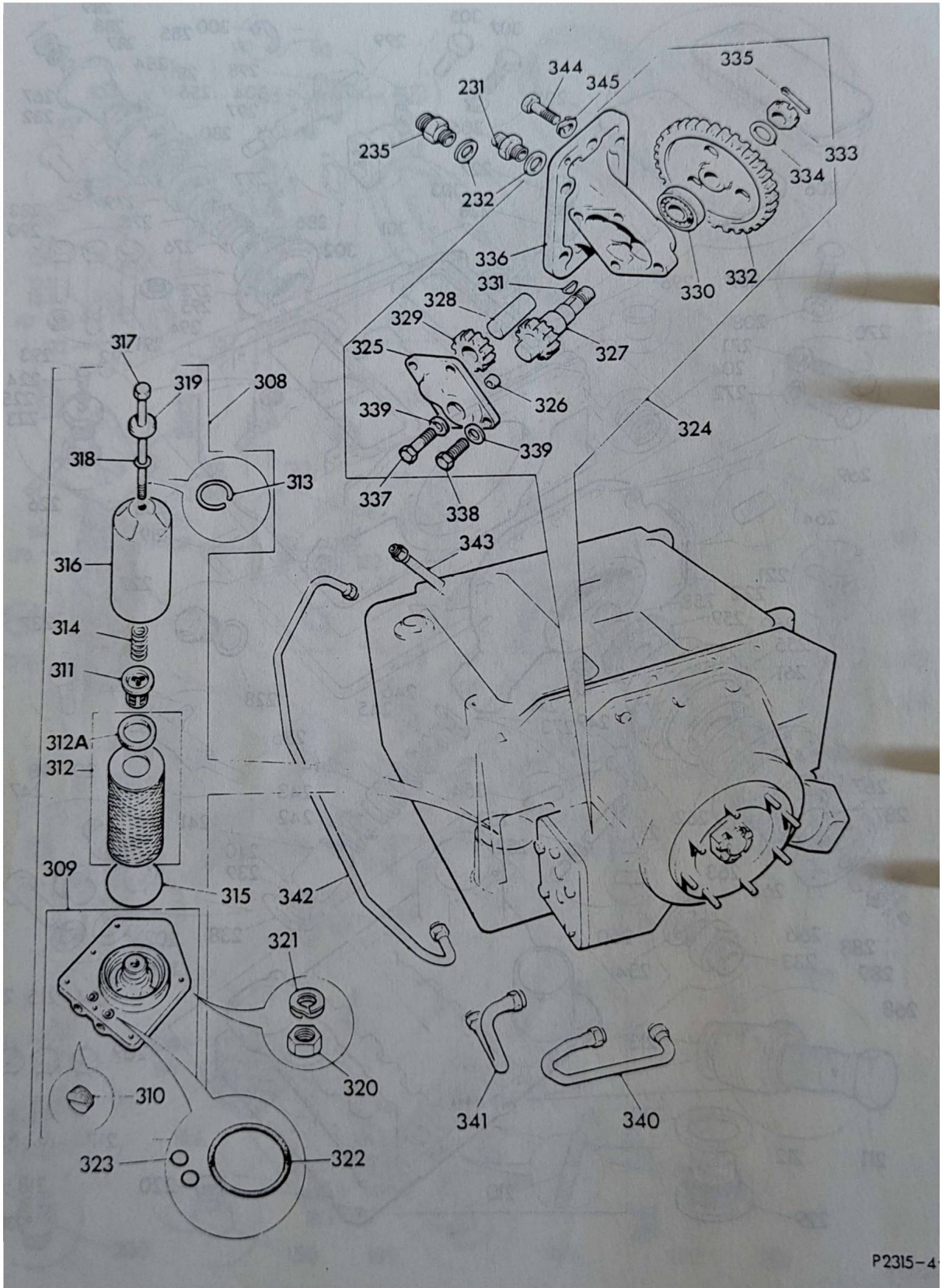
Illus. ref.	Part	Description	Quantity per unit
284	511650 (V)	FLINGER mud	1
285	527901	FLANGE output coupling	1
286	845492	BUSH splined	1
287	505582	WASHER )	2
288	505577 (V)	NUT ) Coupling flanges	2
289	PS614150	SPLIT PIN )	2
290	BH506121	BOLT 3/8" UNC )	6
291	BH506221	BOLT 3/8" UNC )	1
292	BH506361	BOLT 3/8" UNC ) Output casing	1
293	WS600061	WASHER 3/8" spring )	6
294	829734	SEAL )	2
295	829785	PLUG screwed for rear end cover as reqd.	1
296	846366	PLUG	1
SPEEDOMETER DRIVE GROUP			
297	10897482 (V)	SHAFT speedometer drive	1
298	827420 (V)	CASING speedometer drive	1
299	10897118 (V)	SPACER	1
300	10897597 (V)	CIRCLIP	1
301	10936545	HOUSING instrument drive sub assembly	1
302	6418Z222 (V)	JOINT <del>with</del>	1
303	456K134	PLATE cover for instrument drive housing	1
304	837522	JOINT	1
305	BH504161	BOLT 1/4" UNC )	3
306	WL600041	WASHER 1/4" lock ) Speedometer drive	4
307	10937578	BOLT 1/4" UNC )	1
OIL FILTER GROUP			
308	10898832	FILTER oil sub assembly	1
309	10898846 (V)	HEAD assembly	1
310	829800	PLUG screwed	1
311	10898847	VALVE relief assembly	1
312	10871096	ELEMENT filter sub assembly	1
312A	829745	SEAL element	1
313	829740	CIRCLIP	1

Illus. ref.	Part	Description	Quantity per unit
314	829744 (h)	SPRING	1
315	829747	SEAL head	1
316	829750	SUMP	1
317	829751	BOLT centre	1
318	829753 (s)	SEAL for sump	1
319	10898848 (x)	WASHER reinforced	1
320	NH606041	NUT 3/8" UNF )	2
321	WS600061	WASHER 3/8" spring ) Filter plate	2
322	829581	O-RING	1
323	829575	O-RING	1
<b>OIL PUMP GROUP</b>			
324	5090292 (x)	PUMP oil assembly	1
325	10887810	COVER oil pump	1
326	505618	DOWEL ring	2
327	50956543	GEAR pump and driving shaft	1
328	529740	SPINDLE gear pump	1
329	50956544	GEAR pump driven	1
330	135819	BEARING	1
331	507191	KEY	1
332	529736	GEAR drive	1
333	NL606041	NUT 3/8" slotted )	1
334	WA110060	WASHER plain M10 ) Pump drive gear	1
335	PS604070	SPLIT PIN ) to shaft	1
336	50356545	CASING oil pump	1
337	299942	BOLT 5/16" UNF )	2
338	544688	SETSCREW 5/16" UNF ) Cover to casing	2
339	WA108050	WASHER plain M8 )	4
340	861838	PIPE 5/8" sub assembly sump to pump	1
341	829460	PIPE 1/2" sub assembly pump to filter	1
342	829461 (v)	PIPE 1/2" sub assembly filter to lubrication	1
343	861867	PIPE sub assembly muff to casing	1
344	BH506121	BOLT 3/8" UNC )	6
345	WS600061	WASHER 3/8" spring ) For oil pump	6

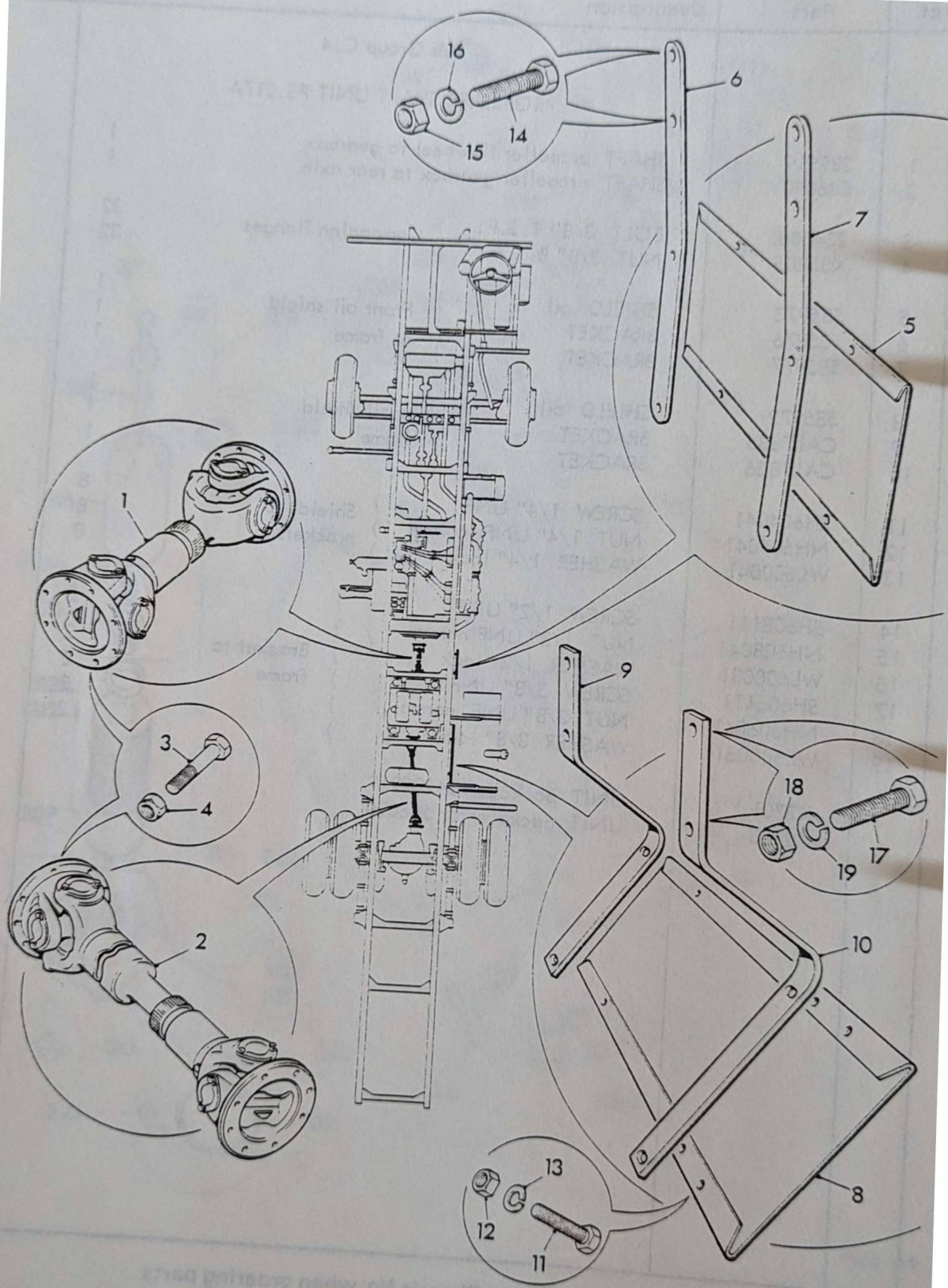








Illus. ref.	Part	Description	Quantity per unit
Sub Group C.4			
PROPELLER SHAFT UNIT PS.517A			
1	289919	SHAFT propeller flywheel to gearbox	1
2	586090	SHAFT propeller gearbox to rear axle	1
3	234006	BOLT 3/8" B.S.F. )	32
4	X85205	NUT 3/8" B.S.F. ) Companion flanges	32
5	585973	SHIELD oil )	1
6	585976	BRACKET ) Front oil shield	1
7	585977	BRACKET ) to frame	1
8	585972	SHIELD oil )	1
9	CAL7835	BRACKET ) Rear oil shield	1
10	CAL7836	BRACKET ) to frame	1
11	SH604041	SCREW 1/4" UNF )	8
12	NH604041	NUT 1/4" UNF normal ) Shields to	8
13	WL600041	WASHER 1/4" lock ) brackets	8
14	SH608111	SCREW 1/2" UNF )	2
15	NH608041	NUT 1/2" UNF normal )	2
16	WL600081	WASHER 1/2" lock ) Bracket to	2
17	SH606111	SCREW 3/8" UNF ) frame	2
18	NH606041	NUT 3/8" UNF normal )	2
19	WL600061	WASHER 3/8" lock )	2
	K2701	UNIT package for 289919	
	K2703	UNIT package for 586090	



Always use the correct size and type of fasteners when assembling parts.

**CHANGE SPEED**  
 CS.143/1  
 PL 101472/1

Part No.	Description	Quantity	Unit
62009	All parts as quoted on unit replacement CS.143/1 with the following exceptions:		
ABU401	GATE		
ABU402	REPLACEMENT PARTS		
ABU403	SCREW		
ABU404	CLIP		
ABU405	VALVE control and support column		
ABU406	VALVE control 3 way		
ABU407	SCREW		
ABU408	GASKET		
ABU409	VALVE control 3 way		
ABU410	GASKET		
ABU411	WASHER		
ABU412	NUT		
ABU413	STUD		
ABU414	LEVER		
ABU415	LOCKNUT		
ABU416	WASHER		
ABU417	BLOCK		
ABU418	GATE latch or distance piece		
ABU419	WASHER		
ABU420	SCREW round headed		
ABU421	WASHER snapproof		
ABU422	SPRING		
ABU423	BALL steel		
ABU424	PIN pivot		
ABU425	PIN Mills		
ABU426	ROLLER		
ABU427	ROCKER outer		
ABU428	WASHER		
ABU429	ROCKER inner		
ABU430	PIN		
ABU431	PISTON complete		
ABU432	O-RING		
ABU433	SPRING		
ABU434	VALVE maulded		
ABU435	SPRING		
ABU436	KNOB assembly		
ABU437	PIN		
ABU438	SPRING		

**CHANGE SPEED**

CS.143/1  
 PL 101472/1

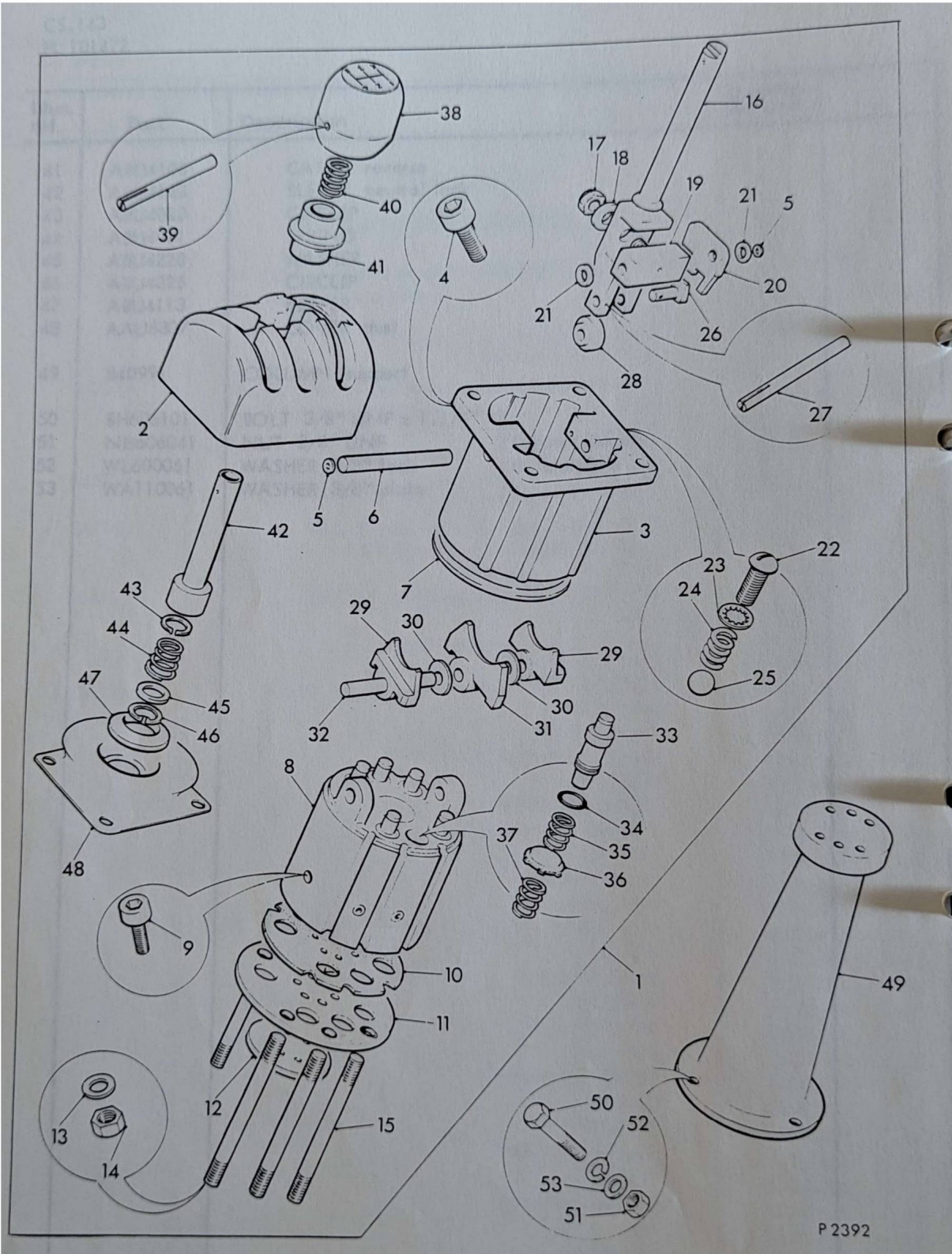
Illus. ref.	Part	Description	Quantity per unit
		Sub Group C.6	
		CHANGE SPEED UNIT CS.143/1	
		All parts as quoted on unit specification CS.143 with the following exceptions:	
		REPLACEMENT PARTS	
	847741	VALVE control and support column assembly replaces 840990 and comprises the same parts with the following exceptions:	1
	847742	VALVE control 6 way sub assembly replaces 826060	1
	847743	VALVE control 6 way less knob 847743 is identical to 826060 less knob	1
	864426	SWITCH and cables sub assembly	1
		ADDITIONAL PARTS	
	837936	PLATE instruction	1

CHANGE SPEED  
CS.143  
PL 101472  
P2392

Illus. ref.	Part	Description	Quantity per unit
		Sub Group C.6	
		CHANGE SPEED UNIT CS.143	
1	826060	VALVE control six way	1
2	AAU5051	GATE	1
3	ABU4148	BODY upper	1
4	ABU4045	SCREW socket head	4
5	ABU4026	CLIP retaining	2
6	ABU4116	PIN	1
7	AAU5052	SHIM	as reqd
7	AAU5061	SHIM	as reqd
8	ABU4186	BODY lower	1
9	AAU6804	SCREW socket head	6
10	ABU4150	GASKET	1
11	ABU4165	PLATE bottom	1
12	ABU4119	GASKET	1
13	AAU6805	WASHER	6
14	ABU4046	NUT	6
15	ABU4118	STUD	6
16	ABU4149	LEVER control	1
17	ABU4029	LOCKNUT Philidas	1
18	ABU4114	WASHER	1
19	ABU4110	BLOCK pivot	1
20	ABU4169	GATE latch or distance piece	1
21	ABU4134	WASHER	2
22	ABU4044	SCREW round headed	1
23	ABU4048	WASHER shakeproof	1
24	ABU4058	SPRING	1
25	ABU4017	BALL steel	1
26	ABU4124	PIN pivot	1
27	<del>AAU5053</del>	PIN Mills <i>ABU 4116 - Bendix Ref Kw1781/1</i>	1
28	ABU4109	ROLLER <i>Kw1781/1</i>	1
29	ABU4187	ROCKER outer	2
30	ABU4115	WASHER	2
31	ABU4151	ROCKER inner	1
32	ABU4117	PIN	1
33	ABU4111	PISTON complete	6
34	AAU5054	O-RING	6
35	ABU4057	SPRING	6
36	ABU4112	VALVE moulded	6
37	ABU4056	SPRING	6
38	ABU4123	KNOB assembly	1
39	ABU4035	PIN	1
40	ABU4055	SPRING	1

CS.143  
PL 101472

Illus. ref.	Part	Description	Quantity per unit
41	ABU4108	CATCH reverse	1
42	ABU4143	SLEEVE neutral lock	1
43	ABU4023	CIRCLIP	1
44	ABU4061	SPRING	1
45	ABU4220	WASHER	1
46	ABU4025	CIRCLIP	1
47	ABU4113	BUFFER	1
48	AAU6807	COVER dust	1
49	840991	COLUMN support	1
50	BH606101	BOLT 3/8" UNF x 1.1/4" )	3
51	NH606041	NUT 3/8" UNF ) Support column	3
52	WL600061	WASHER 3/8" lock ) to floorplate	3
53	WA110061	WASHER 3/8" plain )	3



GEARBOX MOUNTING  
 GBM.33  
 PL 102234  
 P2343

Illus. ref.	Part	Description	Sub Group C.11	Quantity per unit
GEARBOX MOUNTING UNIT GBM.33				
1	847198	MOUNTING flexible front sub assembly		2
2	844025	RUBBER assembly		2
3	847750	WASHER lower		2
4	10898315	BUSH assembly		2
5	847199	MOUNTING flexible rear sub assembly		2
6	844025	RUBBER assembly		2
7	847750	WASHER lower		2
8	10898315	BUSH assembly		2
9	848965	BRACKET gearbox support sub assembly front		2
10	848966	BRACKET gearbox support sub assembly rear		2
11	513147	DOWEL		2
12	849109	BOLT 3/4" UNF x 4.875" ) Rear and		2
13	849110	BOLT 3/4" UNF x 5.125" ) front mounting		2
14	838401	NUT 3/4" UNF ) to brackets		4
15	83946	WASHER 3/4" front mountings		2
16	848202	BOLT 1/2" UNC )Flexible mountings		16
17	WL6000801	WASHER 1/2" lock )to gearbox		16
18	514238	BOLT 5/8" UNF )Support		16
19	WL600101	WASHER 5/8" lock )brackets to		16
20	NH610041	NUT 5/8" UNF )crossmembers		16

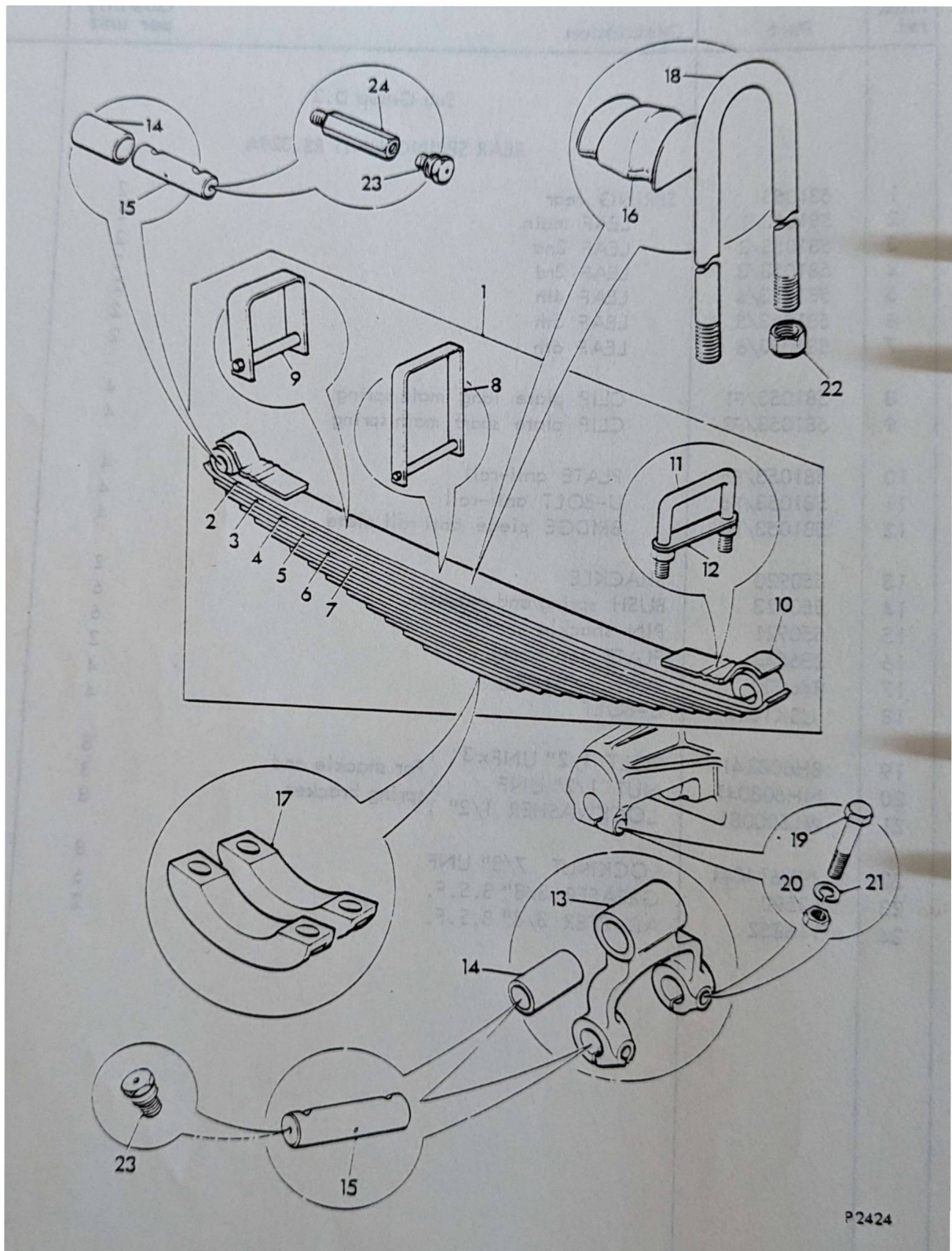
*ABU 4116. 7.3125 dia.  
 KW 17.81 / 1 } 254*



**D - REAR AXLE,  
REAR SUSPENSION,  
REAR WHEELS**

Illus. ref.	Part	Description	Quantity per unit
Sub Group D.2			
REAR WHEEL UNIT RW.211/134			
	849302	DISC wheel 7.50 x 22.5 x 6 o/s RS.029A	4
	849641	TYRE 11 x 22.5 radial ply tubeless	4
	581053	SPRING rear	2
	6463Z378	NUT wheel right hand	10
	6463Z377	NUT wheel left hand	10
	581053/3	LEAF 3rd	2
	581053/4	LEAF 4th	2
	581053/5	LEAF 5th	2
	581053/6	LEAF 6th	2
	581053/F1	CLIP plate long main spring	4
	581053/F2	CLIP plate short main spring	4
	581053/F5	PLATE anti-roll	4
	581053/F6	U-BOLT anti-roll	4
	581053/F8	BRIDGE piece anti roll plate	4
	550920	SHACKLE	2
	550923	BUSH spring and shackle	6
	550921	PIN shackle	6
	286542	PLATE top clamp	2
	546130	PLATE clamping	2
	U8K1059	U-BOLT	2
	8H608241	BOLT 1/2" UNF x 3" For shackle and	8
	NH508041	NUT 1/2" UNF spring bracket	8
	WL400031	LOCKWASHER 1/2"	8
	NH614061	LOCKNUT 7/8" UNF	8
	62590	GREASER 3/8" B.S.F.	2
	116852	ADAPTER 3/8" B.S.F.	2

Illus. ref.	Part	Description	Quantity per unit
Sub Group D.3			
REAR SPRING UNIT RS.329A			
1	581053	SPRING rear	2
2	581053/1	LEAF main	2
3	581053/2	LEAF 2nd	2
4	581053/3	LEAF 3rd	2
5	581053/4	LEAF 4th	2
6	581053/5	LEAF 5th	2
7	581053/6	LEAF 6th	2
8	581053/F1	CLIP plate long main spring	4
9	581053/F2	CLIP plate short main spring	4
10	581053/F5	PLATE anti-roll	4
11	581053/F6	U-BOLT anti-roll	4
12	581053/F8	BRIDGE piece anti roll plate	4
13	550920	SHACKLE	2
14	550923	BUSH spring and shackle	6
15	550921	PIN shackle	6
16	286542	PLATE top clamp	2
17	846030	PLATE clamping	4
18	UBK1059	U-BOLT	4
19	BH608241	BOLT 1/2" UNF x 3" )	8
20	NH608041	NUT 1/2" UNF ) For shackle and	8
21	WL600081	LOCKWASHER 1/2" ) spring bracket	8
22	NY614041	LOCKNUT 7/8" UNF	8
23	62590	GREASER 3/8" B.S.F.	6
24	116852	ADAPTER 3/8" B.S.F.	2

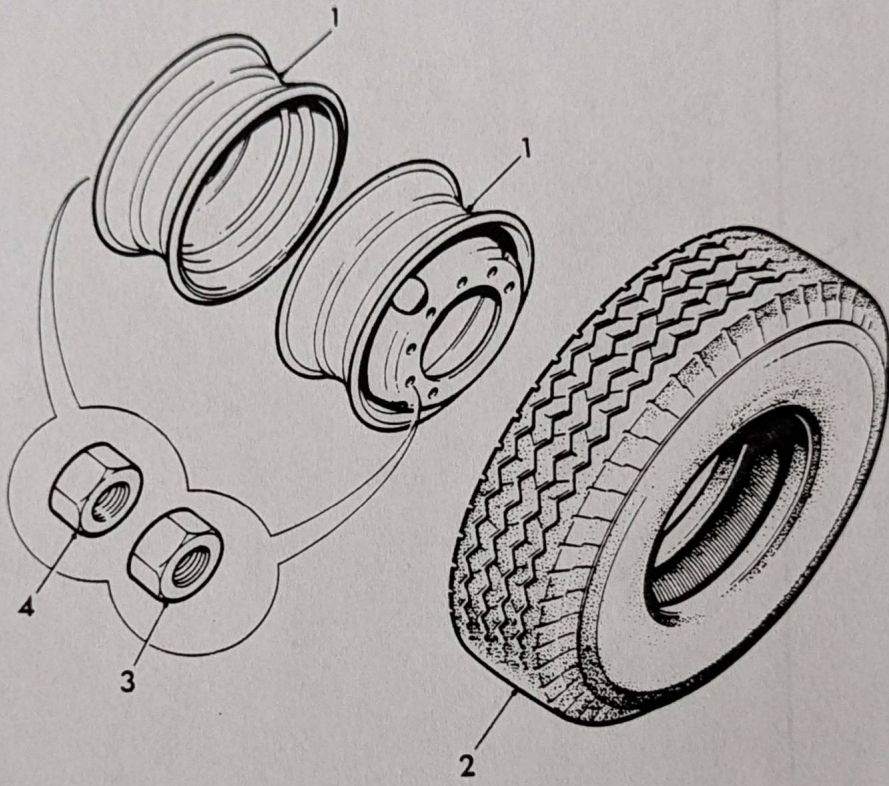


**E - FRONT AXLE,  
FRONT SUSPENSION,  
FRONT WHEELS,  
STEERING**

Illus. ref.	Part	Description	Quantity per unit
Sub Group E.5			
FRONT WHEEL UNIT FW.211/125			
1	849302	DISC wheel 7.5" x 22.5" x 6.00"	2
2	849641	TYRE 11" x 22.5 radial ply tubeless	2
3	6463Z378	NUT wheel right hand	10
4	6463Z377	NUT wheel left hand	10
	821464/2	LEAF 2nd	1
	821464/3	LEAF 3rd	1
	821464/4	LEAF 4th	1
	821464/5	LEAF 5th	1
	821464/6	LEAF 6th	1
	821464/P1	CLIP plate long	2
	821464/P3	RIBS clip	2
	821464/P5	PLATE anti-rock	2
	821464/P7	CLIP anti-rock	2
	821464/P8	BRIDGE rock anti-rock plate	2
	822895	WASHER	2
	8225945	WASHER	6
	82729	WASHER	6
	8893079	SHOCK absorber sub-assembly	2
	891992	SHOCK absorber right hand	2
	82K90	SHOCK absorber left hand	2
	822590	SHOCK absorber shock absorber	2
	827262	WASHER	4
	82612041	WASHER 3/4" nylon	2
	82608231	BOLT 1/2" UNF x 2 1/2" ) Shackles and	8
	82608041	BOLT 1/2" UNF normal ) spring brackets	8
	82603081	WASHER 1/2" )	3
	82K1038	WASHER packing ) For right hand spring	1
	82L2987	WASHER ) between axle and plate	2
SUFFIX B			
REPLACEMENT PARTS			
	82K1045	SPRING front replaces 10931464	2

Always quote Chassis No. when ordering parts

图.



P1981

D415/B11

Illust ref.	Part	Description	Quantity per unit
		Sub Group E.6	
		FRONT SPRING UNIT FS.290A	
		▶NOTE: See end of section for latest suffix change. All parts affected marked thus▶	
▶10921464		SPRING front right hand side	2
10921464/1		LEAF main	1
10921464/2		LEAF 2nd	1
10921464/3		LEAF 3rd	1
10921464/4		LEAF 4th	1
10921464/5		LEAF 5th	1
10921464/6		LEAF 6th	1
10921464/F1		CLIP plate long	2
10921464/F3		TUBE clip	2
10921464/F5		PLATE anti-roll	2
10921464/F7		CLIP anti-roll plate	2
10921464/F8		BRIDGE piece anti roll plate	2
272895		SHACKLE spring	2
10925945		BUSH	6
542729		PIN shackle	6
10893019		BUFFER front sub assembly	2
591992		BOLT 3/4" for right hand spring	2 <i>4 off.</i>
62590		GREASER 3/8" B.S.F.	6
846590		PLATE support shock absorber	2
567863		BOLT 3/4" UNF	4
NY612041		NUT 3/4" UNF nylon torque	8
BH608231		BOLT 1/2" UNF x 2.7/8" )	8
NH608041		NUT 1/2" UNF normal ) Shackles and	8
WL600081		LOCKWASHER 1/2" ) spring brackets	8
PHK1038		PIECE packing ) For right hand spring	1
CBL2987		DOWEL ) between axle and plate	2
		SUFFIX B	
		REPLACEMENT PARTS	
RXK1045		SPRING front replaces 10921464	2

# FRONT SHOCK ABSORBER

F - BRAKES  
BRAKE CONTROLS

FSA, 43  
PL 105098

Illus. ref.	Part	Description	Quantity per unit
		Sub Group E.7	
		FRONT SHOCK ABSORBER UNIT FSA, 43	
	10867227	SHOCK ABSORBER	2

FRONT SHOCK ABSORBER

**F - BRAKES  
BRAKE CONTROLS**

D410/B07

 FOOTBRAKE  
 FB.926/3  
 PL 305271/3

Illust ref.	Part	Description	Quantity per unit
		Sub Group F.2	
		FOOTBRAKE UNIT FB.926/3	
		All parts as quoted on unit specification FB.926 with the following exceptions:	
		ADDITIONAL PARTS	
	ACU2307	AIR DRYER	1
	1669Z117	PLUG air dryer	1
	25C110694		
	/48	VALVE governor	1
	CBL4691	BRACKET	1
	BH605281	BOLT 5/16" UNF x 3.1/2" )	2
	NH605041	NUT 5/16" UNF plain )	2
	WL600051	LOCKWASHER 5/16" )	2
		Valve to bracket	
	SH606081	SCREW 3/8" UNF x 1" )	4
	NH606041	NUT 3/8" UNF plain )	4
	WL600061	LOCKWASHER 3/8" )	4
		Air dryer to bracket	
	SH608121	SCREW 1/2" UNF x 1.1/2" )	1
	SH608101	SCREW 1/2" UNF x 1.1/4" )	3
	NH608041	NUT 1/2" UNF plain )	4
	WL600081	LOCKWASHER 1/2" )	4
		Bracket to frame	
		PARTS DELETED	
	10898544	VALVE unloader	1
	10898378	VALVE condenser	1
	605711	EVAPORATOR	1
	835268	VALVE check	1
	821536	SCREW 3/8" UNC )	2
	NH606041	NUT 3/8" UNF plain )	2
	WL600061	LOCKWASHER 3/8" )	2
		Condenser to bracket	
	SH606061	SCREW 3/8" UNF x 3/4" )	2
	NH606041	NUT 3/8" UNF plain )	2
	WL600061	LOCKWASHER 3/8" )	2
		Bracket to frame	
	821507	BRACKET	1
	SH604051	SCREW 1/4" UNF x 5/8" )	3
	NH604041	NUT 1/4" UNF plain )	3
	WL600041	LOCKWASHER 1/4" )	3
		Evaporator to bracket	

TP/LE/0180\*

Always quote Chassis No. when ordering parts

F2.1

Illust ref.	Part	Description	Quantity per unit
		Sub Group F.2	
		FOOTBRAKE UNIT FB.926	
	10870035	PEDAL head sub assembly	1
	10934255	SILENCER auxiliary sub assembly	1
	10924704	VALVE limiting	1
	10899098	VALVE pressure regulator	1
	10889338/2	RESERVOIR twin air	1
	10898544	VALVE unloader	1
	571108	RESERVOIR air	2
	10898378	CONDENSER	1
	10885467	VALVE brake	1
	528174	DRAIN cock	4
	25C140285	SWITCH stop light	2
	25C140286	INDICATOR low pressure	5
	CAL0248	BUZZER	1
	826460	VALVE single check	3
	*525175/3	FILTER air line	2
	13H3968	VALVE quick release	1
	299322/2	BRAKE chamber type 24	2
	ACU3256	SPRING brake	2
	10866080	VALVE differential protection	1
	ACU2308	VALVE hand - 1/4" NPTF Inlet & Exhaust ports	1
	10898549	VALVE relay	1
	10865522	VALVE tank	1
	10889962	SLACK adjuster	1
	10889963	SLACK adjuster	1
	10901188	SLACK adjuster	2
	605711	EVAPORATOR	1
	835268	VALVE check	1
	10869590	BRACKET brake valve support	1
	10869591	LEVER brake operating	1
	10870028	PIN pivot	1
	62590	GREASER	1
	10921470	FILTER	1
	10896684	SILENCER	1
	10924604	LABEL warning	1
	NLK2105	DISTANCE PIECE - brake valve	1
	10921795	BRACKET	1
		* See end of section for repair kit	

FB.926  
PL 305271

Illust ref.	Part	Description	Quantity per unit
10870026	BUSH	)	2
10870027	BUSH	)	1
WA108051	WASHER 8 mm	)	1
NL605041	NUT 5/16"	) Brake lever	1
1029Z35	JAW END	)	1
1156Z39	PIN. special	)	1
10870029	PUSH ROD	)	1
NT608041	NUT 1/2" UNF	)	1
PS604071	PIN SLIP 1/16" x 7/8")	)	1
10870030	SPRING	)	1
10870031	RETAINER sub assembly	)	1
10911522	BRACKET relay valve	)	1
10870034	GAITER	)	1
539925	PLATE tread	)	1
NT406061	NUT 3/8" B.S.F.	) Footbrake pedal	1
WL600061	LOCKWASHER 3/8"	)	1
10870038	GAITER	)	1
10870039	PLATE clamping	) Pedal stem	1
SH504041	SCREW 1/4" UNC x 1/2"	)	3
WL600041	LOCKWASHER 1/4"	)	3
292624	JAW END	) Front brake chamber	2
541948	PIN pivot	) push rods	2
506251	SLEEVE	)	2
506046	DEFLECTOR	) Rear brake chamber	2
513407	PIN pivot	) push rods	2
WA110061	WASHER 10 mm	)	2
108725111	JAW END	)	2
10884686	BRACKET support	) Reservoir	2
CAL8958	BRACKET	) mounting	2
10868405	BRACKET seating	) brackets	4
10884727	U-BOLT	)Reservoirs to	6
BT606091	BOLT 3/8" UNF x 1.1/8"	)brackets and	8
NH606041	NUT 3/8" UNF	)brackets to	24
WL600061	LOCKWASHER 3/8"	)frame	8
NT606041	NUT 3/8" UNF	)	8
ND606041	NUT 3/8" UNF	)	4
WA110061	WASHER 3/8"	)	5
PS604071	PIN split 1/16" x 7/8"	) Pivot pins	5
NL606041	NUT 3/8" UNF	)	1

Illust ref.	Part	Description	Quantity per unit
	586572	LOCKNUT 1/4" B.S.P. )	1
	WF600091	LOCKWASHER 9/16" ) For air	1
	WF600071	LOCKWASHER 7/16" ) pressure switches	6
	156885	LOCKNUT 1/8" B.S.P. )	6
	SH606081	SCREW 3/8" UNF x 1" ) Relay bracket	2
	NH606041	NUT 3/8" UNF ) to	2
	WL600061	LOCKWASHER 3/8" ) crossmember	2
	SH606101	SCREW 3/8" UNF x 1.1/4" ) Relay	3
	NH606041	NUT 3/8" UNF ) valve to	3
	WL600061	LOCKWASHER 3/8" ) bracket	3
	SH507111	SCREW 7/16" UNC x 1.3/8" ) Brake valve	1
	SH506111	SCREW 3/8" UNC x 1.3/8" ) bracket	2
	SH606091	SCREW 3/8" UNF x 1.1/8" ) to frame	2
	NH606041	NUT 3/8" UNF ) and plate	2
	WL600071	LOCKWASHER 7/16" )	1
	WL600061	LOCKWASHER 3/8" )	4
	821536	STUD 3/8" UNF ) Condenser	2
	NH606041	NUT 3/8" UNF ) to	2
	WL600061	LOCKWASHER 3/8" ) bracket	2
	SH606061	SCREW 3/8" UNF x 3/4" ) Condenser	2
	NH606041	NUT 3/8" UNF ) bracket	2
	WL600061	LOCKWASHER 3/8" ) to frame	2
	821507	BRACKET condenser	1
	10911522	BRACKET relay valve	1
	NAK3622	BRACKET quick release valve to differential protection valve	1
	SH605061	SCREW 5/16" UNF x 3/4" ) Quick release	2
	NH605041	NUT 5/16" UNF ) valve to	2
	WL600051	LOCKWASHER 5/16" ) bracket	2
	528986	VALVE automatic shut off	1
	528988	PLUG blanking	1
	839322	CHAIN assembly	1
	39615	HOOK for chain	1
	10899281	END cap	2
	BH606131	BOLT 3/8" UNF x 1.5/8" ) Pedal	1
	NH606041	NUT 3/8" UNF ) stem	1
	WL600061	LOCKWASHER 3/8" ) to lever	1

Illust ref.	Part	Description	Quantity per unit
	SH604051	SCREW 1/4" UNF x 5/8" ) Evaporator to	3
	NH604041	NUT 1/4" UNF ) battery cut off	3
	WL600041	LOCKWASHER 1/4" ) switch bracket	3
	10889646	PEG )	4
	WL600061	LOCKWASHER 3/8" )	4
	CBL2121	BRACKET left hand ) Slack adjusters	1
	CBL2120	BRACKET right hand )	1
	WA110061	WASHER 3/8" )	8
	NT606041	NUT 3/8" UNF )	1
	SH605101	SCREW 5/16" UNF x 1.1/4" ) Limiting	2
	NH605041	NUT 5/16" UNF ) valve to	2
	WL600051	LOCKWASHER 5/16" ) member	2
	SH605081	SCREW 5/16" UNF x 1" ) Bracket	2
	NH605041	NUT 5/16" UNF ) to	2
	WL600051	LOCKWASHER 5/16" ) bracket	2
	SH604091	SCREW 1/4" UNF x 1.1/8" ) Auxiliary	4
	NH604041	NUT 1/4" UNF ) silencer	4
	WL600041	LOCKWASHER 1/4" ) to frame	4
		* REPAIR KIT	
		ABU4229 ELEMENT)	
		ABU3962 SPRING ) For 525175/3	as reqd
		ABU3872 O-RING )	

**G - FRAME & FITTINGS,  
FUEL SYSTEM,  
AIR SYSTEM**

Illus. ref.	Part	Description	Quantity per unit
Sub Group G.4			
CHASSIS EQUIPMENT UNIT CE.675			
	352-2812	SPANNER box/wheel nuts 7/8" B.S.F	1
	218269	JACK hydraulic	1
	10922015	MOTIF Leopard	1
	NH105041	NUT 5 mm normal	4
	WE105001	WASHER 5 mm Shakeproof	4
	547552	PLATE instruction	1
	10921978	MOTIF Leyland	1
	585511	BRACKET	1
	233673	STRAP	2
	243270	CLIP support	2
	10936486	DRIP tray	1
	SH604061	SCREW 1/4" UNF )	2
	NH604041	NUT 1/4" UNF normal ) Steady bracket	2
	WL600041	WASHER lock ) to frame	2
	SH604051	SCREW 1/4" UNF )	2
	NH604041	NUT 1/4" UNF normal ) Straps and clips	2
	WA106040	WASHER 6 mm plain ) distance pieces to	2
	WF600041	WASHER 1/4" Shakeproof ) brackets	2
	BH604081	BOLT 1/4" UNF )	2
	NH604041	NUT 1/4" UNF normal ) Drip tray	2
	WL600041	WASHER lock ) to frame	2
	213856	NUT 1/2" UNF Nylon	1
	213857	JOINT bell sub assembly	1
	213858	LAW-END	2
	213859	PIN	2
	213860	ROD control	1
	213861	GAITER rubber	1
	213862	PLATE clamping	1
	213863	LEVER	1
	213864	CROSS-SHAFT	1
	213865	LEVER	1
	213866	CIRCLIP	1
	213867	BRACKET	1
	213868	HOUSING bearing	1
	213869	PLATE distance	1
	213870	BEARING	1
	213871	SEAL oil	1

Illus. ref.	Part	Description	Quantity per unit
		Sub Group G.5	
		CONTROL GEAR UNIT CG.408	
10868787		PEDAL sub assembly	1
X70160		BUSH pedal jaw-end	1
X70159		BUSH pedal pivot	2
WAL3369		SUPPORT floor plate sub assembly	1
10868141		PLATE floor	1
554057		PIN pivot	1
SH504041		SETSCREW 1/4" UNC	1
BH506261		BOLT 3/8" UNC	1
NT506041		LOCKNUT	1
577370		BRACKET control sub assembly	1
10885934		JAW-END )	1
519587		PIN ) Pedal to bell crank lever	1
555240		ROD control )	1
829589		JOINT ball sub assembly	1
262354		LEVER bell crank	1
262348		BRACKET	1
262357		BEARING	2
262350		SHIELD )	2
553494		PIN bearing )	1
262349		WASHER ) For bell crank lever	1
541188		NUT 1/2" UNF Nyloc )	1
829589		JOINT ball sub assembly )	1
513856		JAW-END ) Bell crank to	2
519587		PIN ) cross shaft	2
577376		ROD control )	1
528K26		GAITER rubber	1
10885938		PLATE clamping	1
266841		LEVER	1
10887425		CROSS-SHAFT	1
279312		LEVER	1
81992		CIRCLIP	2
266847		BRACKET	1
262358		HOUSING bearing	2
298116		PLATE distance	1
184716		BEARING	2
262359		SEAL oil	3

CG.408  
PL 302781

Illus. ref.	Part	Description	Quantity per unit
	10890589	PLATE blanking	1
	60010	WASHER	2
	233023	PLUG 3/8" B.S.F. ) For bearing housings	2
	62590	GREASER 3/8" B.S.F.	1
	278730	BUSH	2
	513856	JAW-END )	4
	519587	PIN ) Cross-shaft relay lever	4
	577376	ROD control ) control bracket	2
	565976	LEVER relay	1
	569992	DISTANCE PIECE	1
	262350	SHIELD	2
	262343	LEVER	1
	511897	SHAFT control	1
	579142	BRACKET	1
	298115	DISTANCE PIECE	2
	513856	JAW-END )	2
	519587	PIN ) Control bracket to	2
	577377	ROD control ) engine cross-shaft	1
	233673	STRAP	4
	243270	CLIP support	2
	2224	SPRING throttle control	1
	263595	CLIP	1
	SH606061	SETSCREW 3/8" UNF )	2
	NH606041	NUT 3/8" UNF ) Bracket to crossmember	2
	WL600061	WASHER 3/8" lock )	2
	SH606081	SETSCREW 3/8" UNF x 1" )	2
	NH606041	NUT 3/8" UNF ) Bell crank lever	2
	WL600061	WASHER 3/8" lock ) to crossmember	2
	BH604141	BOLT 1/4" UNF x 1.3/8" )	2
	BH604121	BOLT 1/4" UNF x 1.1/2" ) Bearing housings member	2
	NH604041	NUT 1/4" UNF ) and support bracket	4
	WL600041	WASHER 1/4" lock )	4
	SH606081	SETSCREW 3/8" UNF x 1" )	2
	NH606041	NUT 3/8" UNF ) Support bracket	2
	WL600061	WASHER 3/8" lock ) to crossmember	2

Illus. ref.	Part	Description	Quantity per unit
	BH604101	BOLT 1/4" UNF )	4
	NH604041	NUT 1/4" UNF ) Levers to cross-shafts	4
	WL600041	WASHER 1/4" lock )	4
	BH608261	BOLT 1/2" UNF ) Relay lever and	1
	541188	NUT 1/2" UNF Nyloc ) distance piece to	1
	WA112080	WASHER plain 12 mm ) frame	1
	SH606071	SETSCREW 3/8" UNF )	2
	NH606041	NUT 3/8" UNF ) Control bracket to	2
	WL600061	WASHER 3/8" lock ) crossmember	2
	SH604071	SETSCREW 1/4" UNF x 7/8" )	1
	NH604041	NUT 1/4" UNF ) Spring clip to	1
	WL600041	WASHER 1/4" lock ) control rod	1
	WA108050	WASHER plain 8 mm )	1
	PS605050	SPLIT PIN ) For jaw-end	1
	WC106040	WASHER plain 6 mm. )	8
	PS606060	SPLIT PIN ) For jaw-ends	8
	NT605041	LOCKNUT 5/16" UNF	10
	BH604121	BOLT 1/4" UNF x 1.1/2" )	1
	NH604041	NUT 1/4" UNF ) Control rod to	1
	WC106040	WASHER plain 6 mm ) steady bracket	5
	WL600041	WASHER lock )	1
	BH604081	BOLT 1/4" UNF )	2
	NH604041	NUT 1/4" UNF ) Distance pieces	2
	WC106040	WASHER plain 6 mm ) straps steady bracket	2
	WL600041	WASHER 1/4" lock )	2
	NT604041	LOCKNUT 1/4" UNF )	1
	WL600041	WASHER 1/4" lock ) Ball joint to lever	1
	SS606100	SCREW 3/8" UNF )	10
	NH606041	NUT 3/8" UNF ) Floorplate to support	10
	WL600061	WASHER 3/8" lock )	10
	BT606071	BOLT 3/8" UNF )	2
	BT606081	BOLT 3/8" UNF ) Floorplate support bracket	2
	NH606041	NUT 3/8" UNF ) front crossmember	4
	WL600061	WASHER 3/8" lock )	4

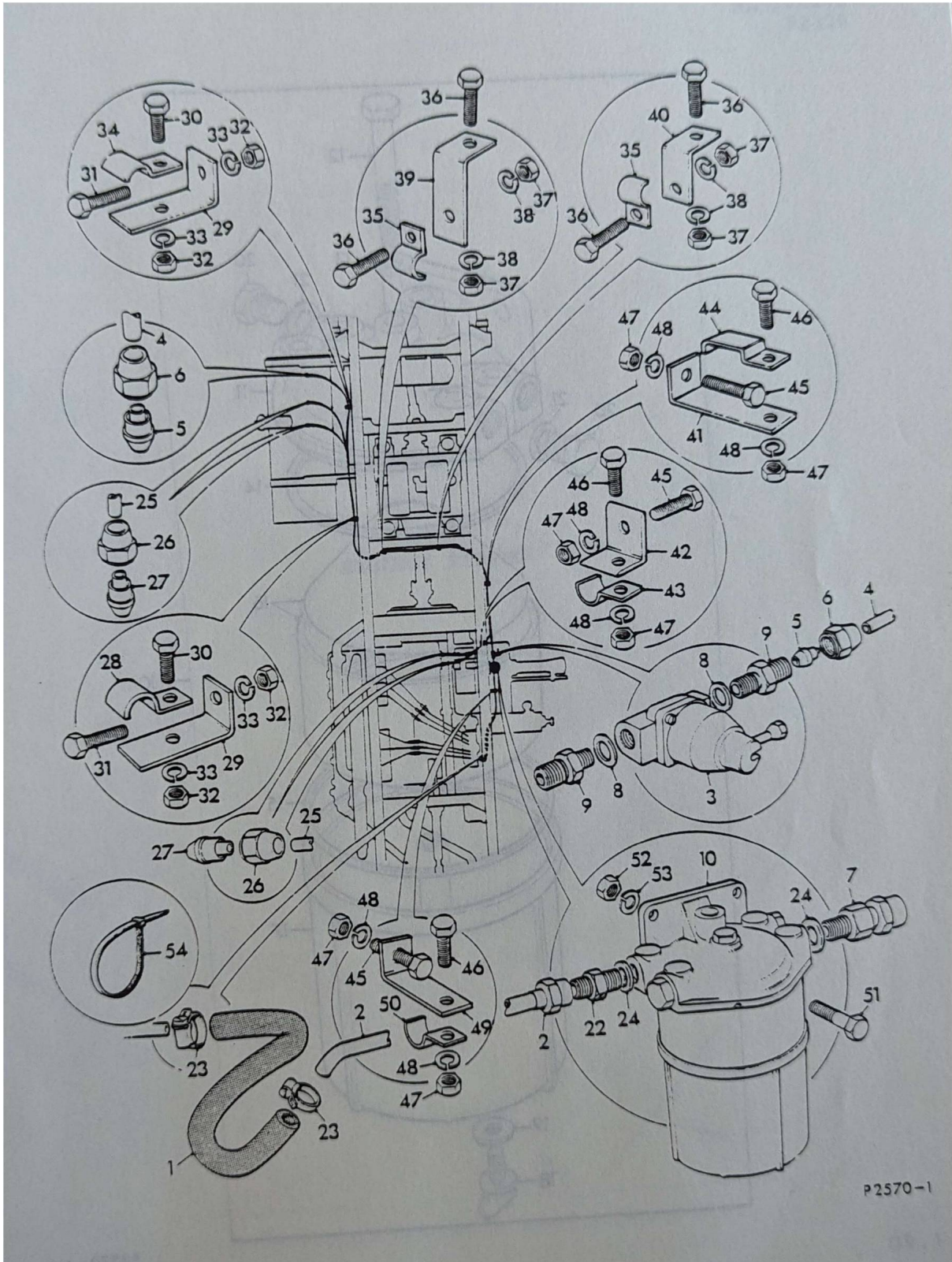
Illus. ref.	Part	Description	Quantity per unit
	BT606071	BOLT 3/8" UNF )	2
	NH606041	NUT 3/8" UNF )	2
	WL600061	WASHER 3/8" lock )	2
		Support bracket frame reservoir member	
	SH605131	SETSCREW 5/16" UNF )	1
	NH605041	NUT 5/16" UNF )	1
	WL600051	WASHER 5/16" lock )	1
	NT605041	LOCKNUT 5/16" UNF )	1
		Pedal stop	
	SH504041	SETSCREW 1/4" UNF )	7
	WL600041	WASHER 1/4" lock )	7
		Gaiter to floor plate	

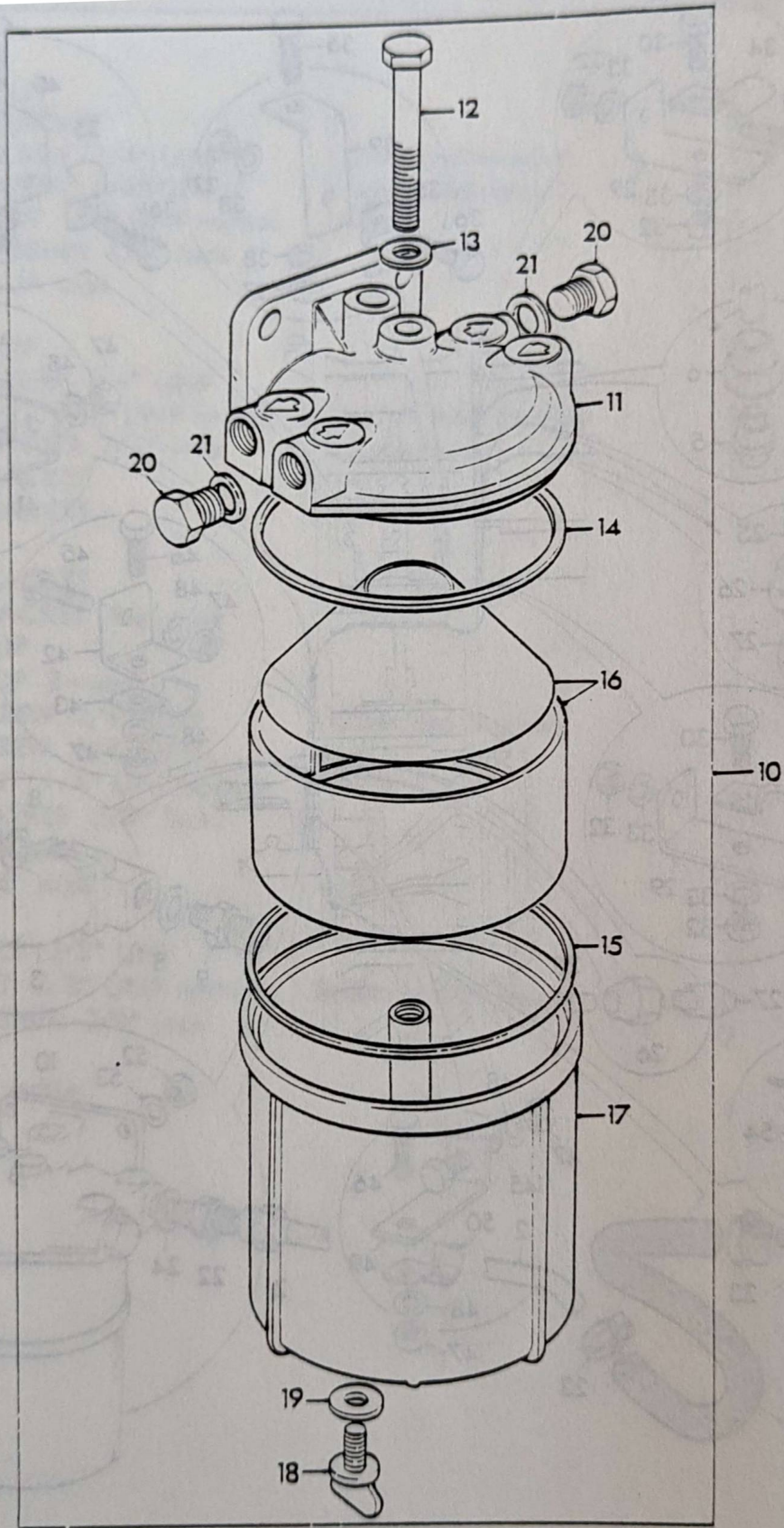
Illus. ref.	Part	Description	Quantity per unit
		Sub Group G.7	
		FUEL TANK UNIT OT.317/1	
10921047	TANK	All parts as quoted on unit specification OT.317 with the following exceptions:	
24773		GAP filler	
24701		RING joint	
52730		REPLACEMENT PARTS	
38845		RETAINER filler cap	
10911993	TANK	TANK fuel sub assembly replaces 10921047	1
529938	GAUGE	GAUGE fuel replaces 529939	1
1095773		PLUG 6pin	1
52739		INDICATOR fuel	1
69701		WASHER joint	1
1090843		PIN	1
1090845		PIN	1
52728		PIN millis	1
1090084		WASHER 3/8"	2
1097053		BRACKET	1
24757		SPRING	2
52747		HANDLE lifting	1
1097847		E-CLIP	2
1097848		E-CLIP	2
5274041		SCREW 1/4" UNF	6
W500641		WASHER 1/4" Shockproof	6
		} Gauge to fuel tank	
56790		BRACKET support right hand sub assembly	2
10920500		STRAP	1
10972935		PACKING	2
1095577		BOLT 1/2" UNF	2
1095578		NUT	2
10934679		PIN	2
27739		PIN	2
27700		WASHER saddle	2
52708111		SCREW 1/2" UNF	3
52708091		SCREW 1/2" UNF	3
10958041		NUT 1/2" UNF	6
W500081		WASHER 1/2" lock	6
		} Brackets to frame	

Illus. ref.	Part	Description	Quantity per unit
Sub Group G.7			
FUEL TANK UNIT OT.317			
10921047		TANK fuel right hand sub assembly <i>1.15" DIA. 43 gal</i>	1
246793		CAP filler sub assembly	1
245801		CAP filler	1
581730		RING joint	1
581545		RETAINER filler cap	1
K5880		SCREW 2 B.A. x 1/2"	1
X40849		NUT 2 B.A.	1
10866771		PLUG drain	1
529939		INDICATOR fuel	1
69301		WASHER joint	1
10808416		PIN	1
10808415		PIN <i>for fuel cut off valve</i>	1
519274		PIN mills	1
WS600061		WASHER 3/8"	2
10921053		BRACKET	1
246797		SPRING	2
518657		HANDLE lifting	1
10808417		E-CLIP	2
10808418		E-CLIP	2
SH604061		SCREW 1/4" UNF	6
WF600041		WASHER 1/4" Shakeproof	6
		} Gauge to fuel tank	
562580		BRACKET support right hand sub assembly	2
10920500		STRAP	2
10872935		PACKING	2
10895577		BOLT 1/2" UNF	2
10895578		NUT	2
10884679		PIN	2
274099		PIN	2
274100		WASHER saddle	2
SH608111		SCREW 1/2" UNF	3
SH608091		SCREW 1/2" UNF	3
NH608041		NUT 1/2" UNF	6
WL600081		WASHER 1/2" lock	6
		} Brackets to frame	

Illus. ref.	Part	Description	Quantity per unit
		Sub Group G,8	
		FUEL PIPING UNIT PF.323	
		FUEL FEED GROUP	
1	263711	PIPE flexible	1
2	10926314	PIPE sub assembly	1
3	864760	VALVE fuel cut off	1
4	570825	TUBE 3/8" nylon	1
5	589718	FERRULE 3/8"	1
6	579167	NUT union	2
7	842051	ADAPTER sub assembly	2
8	146855	WASHER ) For fuel cut off valve	2
9	240380	UNION )	2
10	614841	SEDIMENTER	1
11	AAU5161	HEAD filter	1
12	37H8119	BOLT cent	1
13	ABU1361	WASHER	1
14	37H770	RING sealing	1
15	37H2051	RING sealing base	2
16	27H6288	ELEMENT	1
17	AAU5162	BODY	1
18	37H7920	THUMBSCREW assembly	1
19	37H7921	WASHER	2
20	BMK598	PLUG	2
21	BMK596	WASHER plug	2
22	550214	ADAPTER	1
23	CJ600124	CLIP hose	2
24	146855	WASHER	2
		FUEL RETURN GROUP	
25	562379	PIPE 1/4"	2
26	579166	NUT union	4
27	579168	FERRULE	4

Illus. ref.	Part	Description	Quantity per unit
28	259293	CLIP )	1
29	571361	BRACKET )	2
30	SH604051	SCREW 1/4" UNF ) Clips and brackets	2
31	SH604081	SCREW 1/4" UNF ) right hand side of	2
32	NH604041	NUT 1/4" UNF normal ) frame	4
33	WL600041	WASHER 1/4" lock )	4
34	247018	CLIP pipe )	1
35	259293	CLIP )	2
36	SH604061	SCREW 1/4" UNF )	4
37	NH604041	NUT 1/4" UNF normal ) Clips to front gearbox	4
38	WL600041	WASHER 1/4" lock ) crossmember	4
39	571361	BRACKET )	1
40	544404	BRACKET )	1
41	10891560	BRACKET )	1
42	520066	BRACKET fuel pipe )	1
43	259293	CLIP )	1
44	529580	CLIP 2-way )	1
45	SH604081	SCREW 1/4" UNF ) Clips and brackets	3
46	SH604051	SCREW 1/4" UNF )	3
47	NH604041	NUT 1/4" UNF normal )	6
48	WL600061	WASHER 3/8" lock )	6
49	529627	BRACKET )	1
50	247018	CLIP pipe )	1
51	BH606121	BOLT 3/8" UNF )	2
52	NH606041	NUT 3/8" UNF normal ) Sedimenter to frame	2
53	WL600061	WASHER 3/8" lock )	2
54	10887365	TIE cable )	4

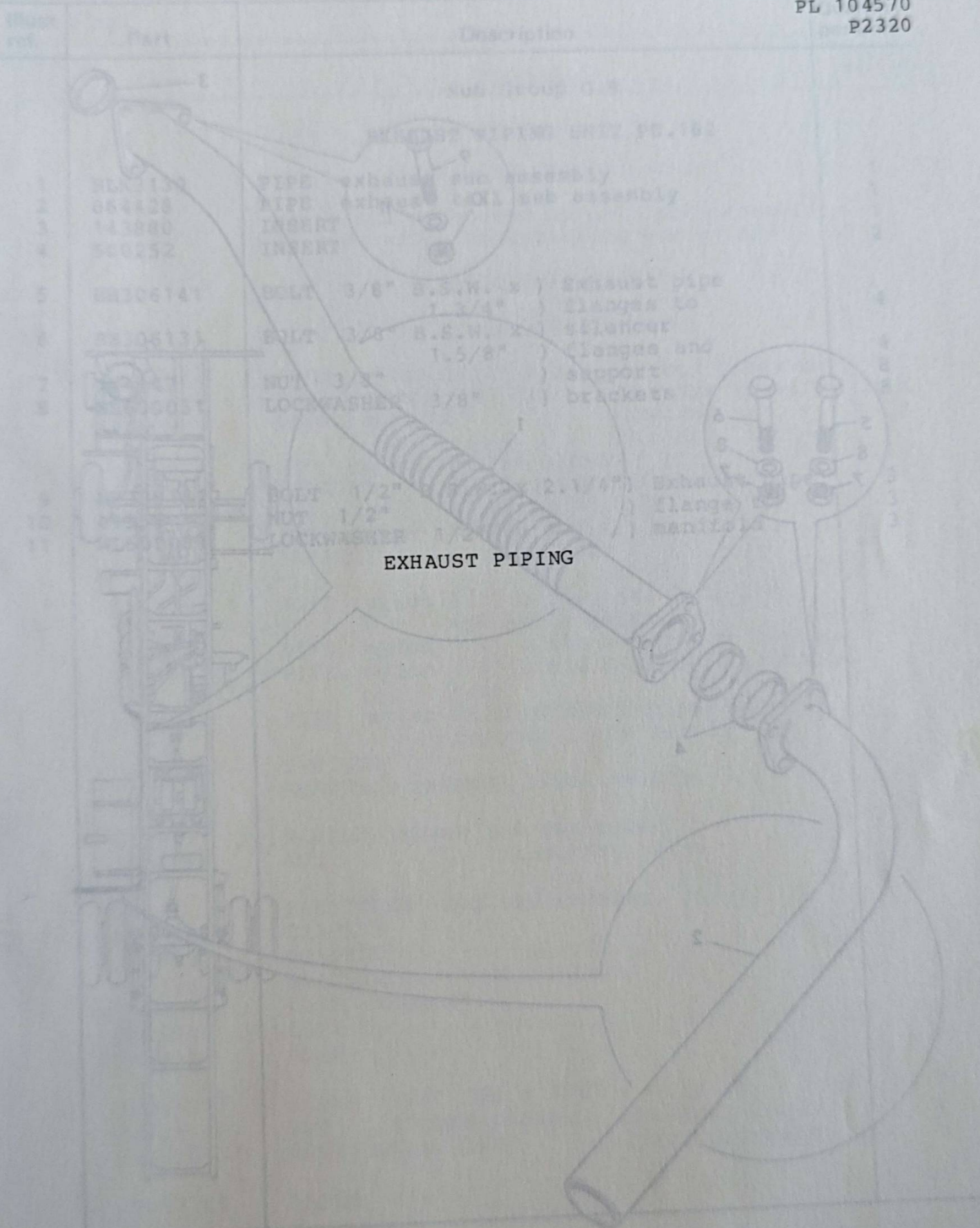




P2570-2\*

D430/B26

EXHAUST PIPING  
PE.162  
PL 104570  
P2320

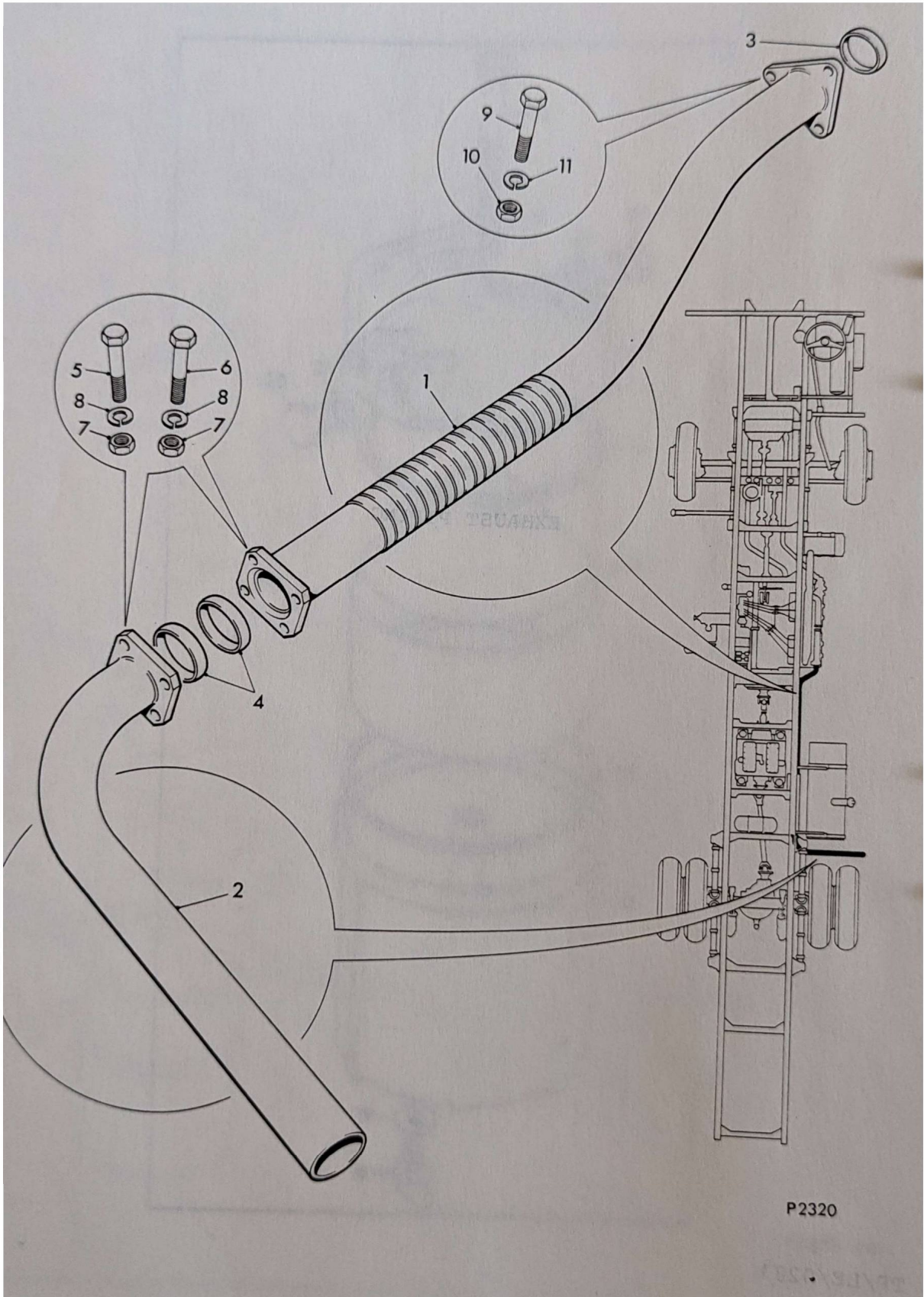


EXHAUST PIPING

Always quote Chassis No. when ordering parts

TP/LE/0281

G9.1



P2320

D430/B27 :

EXHAUST PIPING  
PE.162  
PL 104570

Illust. ref.	Part	Description	Quantity per unit
Sub Group G.9			
EXHAUST PIPING UNIT PE.162			
1	HLK3130	PIPE exhaust sub assembly	1
2	864428	PIPE exhaust tail sub assembly	1
3	143880	INSERT	1
4	500252	INSERT	2
5	BH306141	BOLT 3/8" B.S.W. x 1.3/4" ) Exhaust pipe flanges to	4
6	BH306131	BOLT 3/8" B.S.W. x 1.5/8" ) silencer flanges and	4
7	134147	NUT 3/8" ) support	8
8	WL600061	LOCKWASHER 3/8" ) brackets	8
9	BH308181	BOLT 1/2" B.S.W. x 2.1/4" ) Exhaust pipe	3
10	41358	NUT 1/2" ) flange to	3
11	WL600081	LOCKWASHER 1/2" ) manifold	3
		PIPE nylon 1/4" o/dia 1st, 2nd, 3rd, 4th & 5th gears	
		PIPE nylon 1/4" o/dia reverse to T-piece	
		PIPE nylon 1/4" o/dia T-piece to reverse gear	
		PIPE nylon 3/16" o/dia T-piece to reverse light switch	
		T-PIECE	
		ADAPTER reverse light switch	
		RIPPLE blank 3 way piece in	
		NUT ) limiting valve	
		FLEXIFORM 2nd crossmember	
		BRACKET	
		BRACKET	
		BRACKET	
		CLIP support	
		CLIP	
		CLIP	
		SCREW 1/4" UNF x 7/8" ) clip to	
		NUT 1/4" UNF plain ) midmember	
		LOCKWASHER 1/4" ) and brackets	
		CABLE	

TP/LE/0281\*

Always quote Chassis No. when ordering parts

G9.3

D410/B03

AIR PIPING  
PA.1068/7  
PL 305267/7

Illust. ref.	Part	Description	Quantity per unit
		Sub Group G.10	1
		( AIR PIPING UNIT PA.1068/7	1
		All parts as quoted on unit specification PA.1068 with the following exceptions:	1
		ADDITIONAL PARTS	2
		CHANGE SPEED GROUP	1
	10870426	PIPE nylon 5/16" o/dia ) 4 way piece to	1
	10870427	NUT union 5/16" dia ) change speed	2
	10870428	FERRULE 5/16" ) column	2
	579166	NUT union ) 1/4" o/dia	14
	579168	FERRULE ) nylon pipe	14
	588343	NUT union ) 3/16 o/dia	2
	588344	FERRULE ) nylon pipe	2
	562379	PIPE nylon 1/4" o/dia 1st, 2nd, 3rd, 4th & 5th gears	1
	562379	PIPE nylon 1/4" o/dia reverse to T-piece	1
	562379	PIPE nylon 1/4" o/dia T-piece to reverse gear	1
	569489	PIPE nylon 3/16" o/dia T-piece to reverse light switch	1
	10888903	T-PIECE	1
	CAL7553	ADAPTER reverse light switch	1
	515117	NIPPLE blank ) 4 way piece in	1
	227535	NUT ) limiting valve	1
	848751	FLEXIFORM 2nd crossmember	1
	863979	BRACKET	1
	582640	BRACKET	1
	598373	BRACKET	1
	10922742	CLIP support	1
	271255	CLIP	8
	245147	CLIP	3
	SH604071	SCREW 1/4" UNF x 7/8" ) Clip to	6
	NH604041	NUT 1/4" UNF plain ) sidemember	6
	WL600041	LOCKWASHER 1/4" ) and brackets	6
	10887365	CABLE tie	30

TP/LE/0279

Always quote Chassis No. when ordering parts

G10.1

PA.1068/7  
PL 305267/7

D410/B04

Illust. ref.	Part	Description	Quantity per unit
	SH606061	SCREW 3/8" UNF x 3/4" ) Bracket	3
	NH606041	NUT 3/8" UNF plain ) to 4th	3
	WL600061	LOCKWASHER 3/8" ) crossmember	3
	505257	STRIP Hellerman	1
	505258	STUD Hellerman	1
	10925049	VALVE quick release ) 1st, 2nd, 3rd,	5
	146855	WASHER ) 4th & 5th	10
	CAL7097	ADAPTER ) gears	5
	X42628	WASHER quick release valve	5
	294729	UNION 1/2" - 5/8" B.S.P. - air dryer inlet	1
	10888990	ADAPTER air dryer outlet	1
	568576	ADAPTER air dryer unloader	1
	10872065	ADAPTER	3
	XAH2604	PIPE sub assembly - hose to air dryer	1
	XAH2605	PIPE sub assembly - air dryer to connection	1
	XAH2606	PIPE sub assembly - connection to connection	1
	XAH2607	PIPE sub assembly - connection to 4 way piece	1
	XAH2617	PIPE sub assembly - air dryer to governor	1
	XAH2618	PIPE sub assembly - governor to air dryer	1
		PARTS DELETED	
		CHANGE SPEED GROUP COMPLETE	
	825939	NIPPLE blank ) 4 way piece	1
	227512	NUT union )	1
	10887873	PIPE sub assembly - adapter to union	1
	10887874	PIPE sub assembly - connection to connection	1
	10887875	PIPE sub assembly - connection to condenser	1
	527830	ELBOW )	1
	CAL9230	ADAPTER ) In condenser	1
	595083	ADAPTER )	1

D410/B05

AIR PIPING  
PA.1068/7  
PL 305267/7

Illust. ref.	Part	Description	Quantity per unit
10894535	PIPE	sub assembly - condenser blow-off	1
XAH2261	PIPE	sub assembly - unloader valve to 4 way piece	1
553913	ELBOW	unloader valve	1
501019	T-PIECE		1
540814	ADAPTER	1/8" x 1/8" B.S.P.	1
145565	WASHER		2
10925831	PIPE	assembly - check valve to T-piece	1
232806	CLIP	pipe ) Antifreezer pipe	1
232807	CLIP	) to frameside	1
10922760	ELBOW		1
232884	TAP	drain 1/8" GAS	1
569489	PIPE	3/16" o/dia )	1
509456	ADAPTER	) Check	1
588343	NUT	union 3/8" pipe ) valve	2
588344	FERRULE	)	2
1088773	PIPE	5/8" sub assembly T-piece to adapter 1st section	
1088774	PIPE	5/8" sub assembly adapter to adapter 2nd section	
1088775	PIPE	5/8" sub assembly adapter to condenser 3rd section	
227130	ELBOW		
CAL 9110	ADAPTER	) in condenser	
213260	ADAPTER	)	
10894535	PIPE	3/16" sub assembly condenser blow-off	
10922760	ELBOW	) in alcohol evaporator	
509456	ADAPTER	) check valve	
569489	TUBE	3/16" nylon )	
588343	NUT	union ) Elbow to tap 232884	
588344	FERRULE	)	
10925831	PIPE	3/16" sub assembly adapter to T-piece	
553913	ELBOW	1/8" x 1/8" B.S.P. in unloader valve	
XAH2261	PIPE	5/8" sub assembly unloader valve to 4 way piece	

TP/LE/0279\*

Always quote Chassis No. when ordering parts

G10.3

Illus. ref.	Part	Description	Quantity per unit
		Sub Group G.10	
		AIR PIPING UNIT PA.1068	
		FOOTBRAKE GROUP	
XAH2110		PIPE 3/4" sub assembly - air filter/silencer to hose	1
520681		HOSE to compressor	1
CJ600224		CLIP jubilee	2
232884		TAP in compressor adapter	1
10870981		PIPE 5/8" sub assembly compressor to hose	1
838628		HOSE flexible to T-piece	1
501019		T-PIECE	1
540814		UNION 1/8" x 1/8" B.S.P. )	1
145565		WASHER )	1
505257		STRIP Hellermann ) In T-piece	as reqd.
505258		STUD Hellermann )	as reqd.
10887873		PIPE 5/8" sub assembly T-piece to ) adapter 1st section )	1
10887874		PIPE 5/8" sub assembly adapter to ) adapter 2nd section ) Compressor	1
10887875		PIPE 5/8" sub assembly adapter to ) condenser 3rd section ) to condenser	1
527830		ELBOW )	1
CAL9230		ADAPTER ) In condenser	1
595083		ADAPTER )	1
10894535		PIPE 3/16" sub assembly condenser blow-off	1
10922760		ELBOW ) In alcohol evaporator	1
509456		ADAPTER ) check valve	1
569489		TUBE 3/16" nylon )	1
588343		NUT union ) Elbow to tap 232884	2
588344		FERRULE )	2
10925831		PIPE 3/16" sub assembly adapter to T-piece 501019	1
553913		ELBOW 5/8" x 1/2" B.S.P. in unloader valve	1
XAH2261		PIPE 5/8" sub assembly unloader to 4-way piece	1
507120		4-WAY PIECE	1
XAH2262		PIPE 5/8" sub assembly 4-way piece to auxiliary reservoir	1

Illus. ref.	Part	Description	Quantity per unit
XAH2263		PIPE 5/8" sub assembly ) 4-way piece to non return	1
XAH2264		PIPE 5/8" sub assembly ) valves main reservoir	1
10926159		T-PIECE )	1
584619		ELBOW ) In regulator valve	1
10886101		T-PIECE sub assembly )	1
286337		UNION ) In auxiliary reservoir	1
XAH2265		PIPE 3/8" sub assembly auxiliary reservoir to limiting valve	1
534062		ADAPTER )	1
10925220		4-WAY PIECE sub assembly ) In limiting valve	1
548287		NIPPLE blank )	1
229699		NUT )	1
825939		NIPPLE blank ) For 4-way piece	1
227512		NUT union )	1
286337		UNION ) In main reservoir filter	1
553913		ELBOW ) and non return valves	4
XAH2529		PIPE 5/8" sub assembly reservoir to filter	1
294729		UNION 1/2" B.S.P. )	1
553913		ELBOW 5/8" x 1/2" B.S.P. ) In filter	1
XAH2526		PIPE 5/8" sub assembly filter )	1
XAH2266		PIPE 5/8" sub assembly filter ) To brake valve	1
294729		UNION 1/2" dryseal in footbrake valve	4
XAH2527		PIPE 5/8" sub assembly brake valve to T-piece	1
574403		T-PIECE	1
10887878		PIPE 3/16" sub assembly T-piece to adapter	1
CAL6588		ADAPTER stop light switch	1
10887879		PIPE 5/8" sub assembly T-piece to T-piece	1
861667		T-PIECE	1
10887880		PIPE 3/8" sub assembly right hand ) T-piece to	1
10887881		PIPE 3/8" sub assembly left hand ) frameside	1
258178		LOCKNUT 3/8" B.S.P. )	2
X75911		WASHER 11/16" Shakeproof ) Pipes to frame	2

Illus. ref.	Part	Description	Quantity per unit
10871662		PIPE 5/8" sub assembly pipes to hose	2
827147		HOSE flexible to elbow <i>FRONT BRAKE HOSES</i>	2
555810		ELBOW in front brake chambers	2
545468		ADAPTER 1/2" x 1/2" B.S.P. in filters	2
XAH2272		PIPE 3/16" sub assembly )	1
XAH2273		PIPE 3/16" sub assembly ) Adapters to adapters	1
CAL7553		ADAPTER )	3
CAL6996		ADAPTER )	2
231256		UNION ) Low pressure switches	2
145565		WASHER )	2
569489/60		TUBE 3/16" nylon )	2
588343		NUT union )	4
588344		FERRULE ) Low pressure	4
548287		NIPPLE blank ) switch to gauge	2
229699		NUT )	2
XAH2528		PIPE 5/8" sub assembly brake valve to adapter 1st section )	1
10887883		PIPE 5/8" sub assembly adapter to adapter 2nd section )	1
10925194		PIPE 5/8" sub assembly adapter to adapter 3rd section ) Footbrake valve to quick release valve	1
10925195		PIPE 5/8" sub assembly adapter to adapter 4th section )	1
XAH2136		PIPE 5/8" sub assembly adapter to adapter 5th section )	1
10934146		PIPE 5/8" sub assembly adapter to bracket and hose 6th section )	1
173605		LOCKNUT )	1
WF600141		WASHER 7/8" Shakeproof ) Pipe to bracket	1
845282		HOSE flexible bracket to quick release valve	1
10926159		T-PIECE )	1
509268		ADAPTER ) In quick release valve	2
513969		ADAPTER )	1
10937949		PIPE 3/8" sub assembly right hand ) Quick release valve to adapter	1
10937950		PIPE 3/8" sub assembly left hand )	1
513969		ADAPTER spring brake chambers	4

PA.1068  
PL 305267

Illus. ref.	Part	Description	Quantity per unit
	10934147	PIPE 3/8" sub assembly T-piece to differential protection valve	1
569489	TUBE 3/16" nylon	) Relay valve to low pressure switch (output)	1
588343	NUT union		2
588344	FERRULE		2
569489	TUBE 3/16" nylon	) Auxiliary reservoir to low pressure switch	1
588343	NUT union		2
588344	FERRULE		2
BRACKETS CLIPS AND FASTENERS			
505257	STRIP Hellerman		as reqd.
505258	STUD Hellerman		as reqd.
Z5/31389	BLOCK clamping (5/8" double)	) Brake pipes to right hand frameside	2
BH605121	BOLT 5/16" UNF		1
NH605041	NUT 5/16" UNF		1
WL600051	WASHER lock		1
525047	DISTANCE PIECE	) Pipes to 2nd crossmember	1
525048	CLIP		1
555383	CLIP		1
SH606071	SCREW 3/8" UNF		1
NH606041	NUT 3/8" UNF		1
WL600061	WASHER lock		1
BH604101	BOLT 1/4" UNF		1
NH604041	NUT 1/4" UNF		1
WL600041	WASHER lock		1
588857	BRACKET		) Pipes to 3rd crossmember
525047	DISTANCE PIECE	1	
525048	CLIP	1	
BH604101	BOLT 1/4" UNF	1	
SH604051	SCREW 1/4" UNF	1	
NH604041	NUT 1/4" UNF	2	
WL600041	WASHER lock	2	
849058	BRACKET	) Pipes to 4th crossmember	
283254/10	CLIP		2
SH605061	SCREW 5/16" UNF		1
BH605121	BOLT 5/16" UNF		1
NH605041	NUT 5/16" UNF		2
WL600051	WASHER lock		2
545179	DISTANCE PIECE		1

Illus. ref.	Part	Description	Quantity per unit
232806		CLIP pipe ) Antifreezer pipe	1
232807		CLIP ) to frameside	1
574355		CLIP )	1
SH604051		SCREW 1/4" UNF ) Compressor pipe	1
NH604041		NUT 1/4" UNF ) to engine sump	1
WL600041		WASHER lock )	1
10934205		BRACKET )	1
173248		CLIP pipe )	1
SH606071		SCREW 3/8" UNF )	1
NH606041		NUT 3/8" UNF ) Air filter pipe	1
WL600061		WASHER lock )	1
SH604071		SCREW 1/4" UNF )	1
NH604041		NUT 1/4" UNF )	1
WL600041		WASHER lock )	1
587686		BRACKET )	3
SH604071		SCREW 1/4" UNF ) Brake pipes to	6
NH604041		NUT 1/4" UNF ) crossmembers	6
WL600041		WASHER lock )	6
173248		CLIP pipe )	3
173248		CLIP pipe )	2
SH604071		SCREW 1/4" UNF ) Rear brake pipe	2
NH604041		NUT 1/4" UNF ) to frameside	2
WL600041		WASHER 1/4" lock )	2
Z5/31389		BLOCK clamping (5/8" double) ) Pipes to frame	2
BH605121		BOLT 5/16" UNF ) front of rear	1
NH605041		NUT 5/16" UNF ) axle	1
WL600051		WASHER lock )	1
10934204		BRACKET )	1
SH605061		SCREW 5/16" UNF )	1
NH605041		NUT 5/16" UNF ) Pipes to frame	2
WL600051		WASHER lock ) rear of rear axle	2
Z5/31389		BLOCK clamping )	2
BH605121		BOLT 5/16" UNF )	1
SPRING BRAKE GROUP			
25C131327/24		ELBOW in hand control valve	3
570825		TUBE 3/8" nylon )	1
579167		NUT union ) Elbow 584619 regulator valve	2
589718		FERRULE ) to spring brake reservoir	2

Illus. ref.	Part	Description	Quantity per unit
574506		ELBOW 1/2" x 3/8" B.S.P. ) In spring brake	1
10884685		T-PIECE ) reservoir	1
570825		TUBE 3/8" nylon )	1
589718		FERRULE ) T-piece to T-piece	2
579167		NUT union )	2
10872302		T-PIECE )	1
10872303		ADAPTER )	1
241329		WASHER 1/2" B.S.P. ) Towing connection	1
265611		LOCKNUT )	1
WF600141		WASHER Shakeproof 7/8" )	1
10934152		PIPE 5/8" sub assembly spring brake reservoir to relay valve	1
533913		ELBOW 5/8" x 1/2" B.S.P. )	1
513969		ADAPTER )	1
827757		ADAPTER )	1
540814		ADAPTER 1/8" x 1/8" B.S.P. ) In relay valve	1
145565		WASHER )	1
554597		PLUG )	1
10934145		PIPE 5/8" sub assembly relay valve to hose	1
845282		HOSE flexible )	1
173605		LOCKNUT )	1
WF600161		WASHER Shakeproof 1" ) In differential	1
10871925		ADAPTER 5/8" x 3/8" B.S.P. ) protection valve	1
509268		ADAPTER )	1
804154		ELBOW )	1
10937951		PIPE 3/8" sub assembly left hand ) Valve to brake	1
10937952		PIPE 3/8" sub assembly right hand ) chambers	1
570825		TUBE 3/8" nylon )	1
589718		FERRULE ) Relay valve to	1
579167		NUT union ) hand control valve	1
25C131988/5		NUT union )	1
25C132150/5		FERRULE )	1
570825		TUBE 3/8" nylon )	1
25C131988/5		FERRULE ) Hand control valve exhaust	1
25C132150/5		NUT union )	1

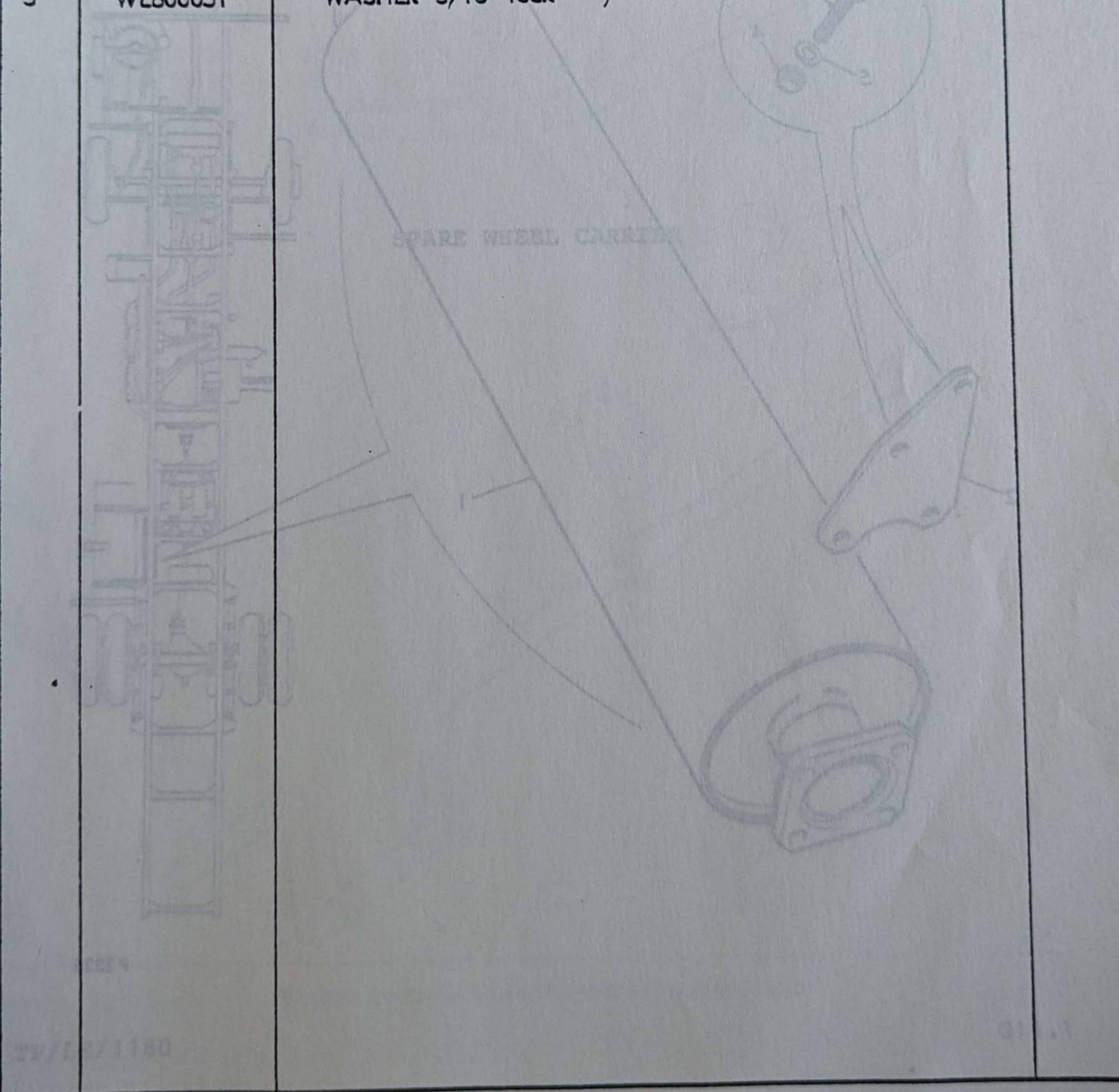
Illus. ref.	Part	Description	Quantity per unit
570825	TUBE 3/8" nylon	)	1
25C131988/5	FERRULE	)	1
25C132150/5	NUT union	) Hand control valve	1
589718	FERRULE	) to adapter	1
579167	NUT union	)	1
570825	TUBE 3/8" nylon	) Adapter 10937903	1
589718	FERRULE	) to T-piece 10872302	2
579167	NUT union	) towing connection	2
10937903	ADAPTER	)	1
514312	ADAPTER in adapter	)	1
10889186	BRACKET	)	1
X40536	LOCKNUT 3/8" GAS	) For Schrader valve	1
569300	SETSCREW 10 x 3/4" UNF	)	2
569761	NUT 10 UNF	)	2
WL700101	WASHER lock	)	2
569489	TUBE 3/16" nylon	) Adapter 514312 to low	1
588343	NUT union	) pressure switch (input)	2
588344	FERRULE	)	2
Z5/31385	CLIP pipe	)	2
BH605121	BOLT 5/16" UNF	) Hand brake pipes to	1
NH605041	NUT 5/16" UNF	) floor support	1
WL600051	WASHER lock	)	1
Z5/31385	CLIP pipe	)	2
Z9/31328	CLIP pipe (double 3/8" x 1/4")	) Hand brake and	2
BH605221	BOLT 5/16" UNF	) change speed pipe	1
NH605041	NUT 5/16" UNF	) to floor support	1
WL600051	WASHER lock	)	1
10887365	TIE cable - for nylon pipes	)	as reqd.
CHANGE SPEED GROUP			
570825	TUBE 3/8" nylon	) 4-way piece in limiting	1
589718	FERRULE	) valve to T-piece	2
579167	NUT union	)	2
584939	T-PIECE	)	1
570825	TUBE 3/8" nylon	) T-piece to single	1
589718	FERRULE	) electro-pneumatic unit	2
579167	NUT union	)	2

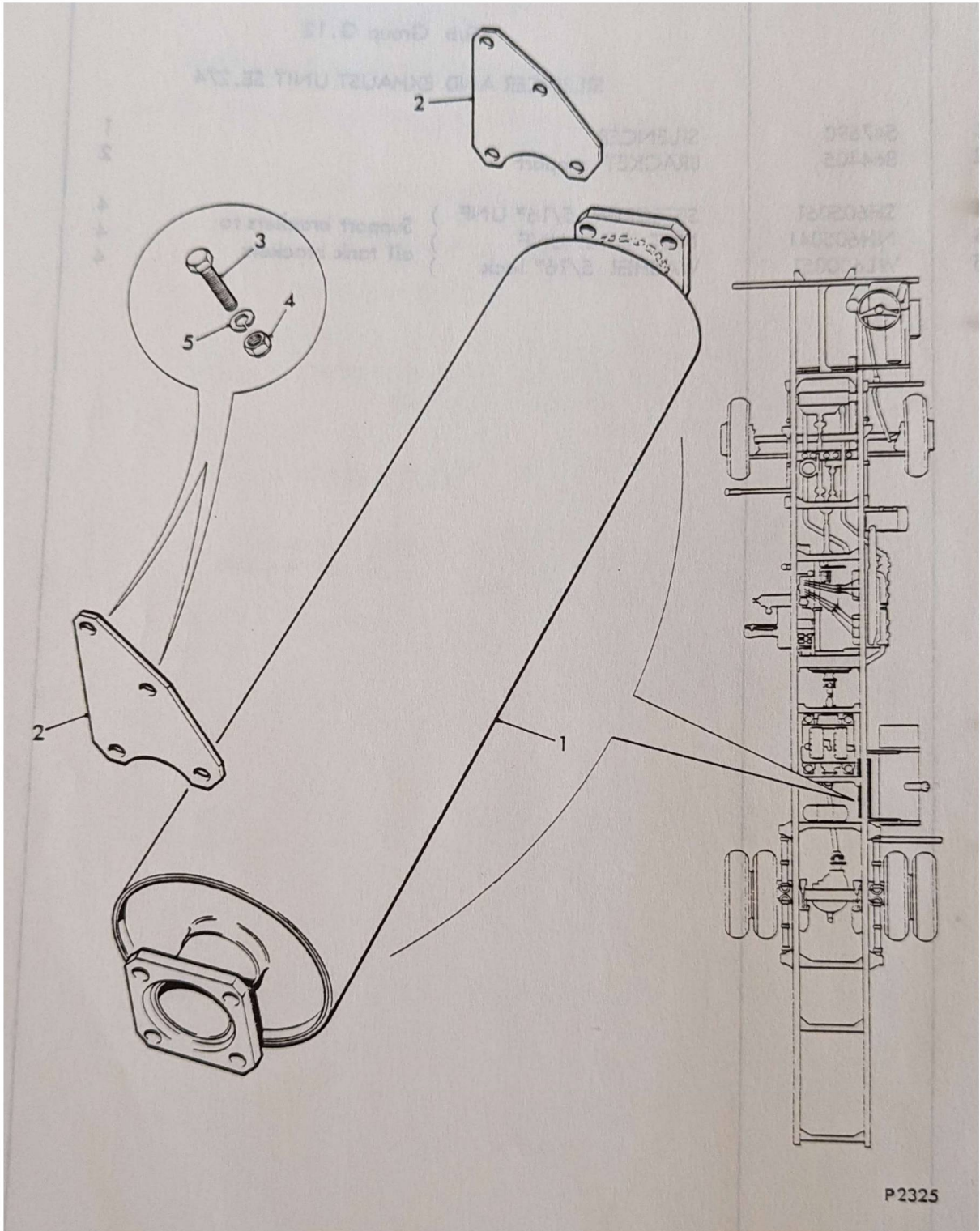
Illus. ref.	Part	Description	Quantity per unit
570825	TUBE 3/8" nylon	) Single electro-pneumatic	1
589718	FERRULE	) unit to 5 way electro-	2
579167	NUT union	) pneumatic unit	2
562379	TUBE 1/4" nylon	) 5-way electro pneumatic	5
579166	NUT union	) unit to forward gears	10
579168	FERRULE	)	10
815159	T-PIECE	in single electro pneumatic unit	1
562379	TUBE 1/4" nylon	)	1
579166	NUT union	) T-piece to reverse gear.	2
579168	FERRULE	)	2
569489	TUBE 3/16" nylon	)	1
588343	NUT union	) T-piece to adapter	2
588344	FERRULE	)	2
CAL7553	ADAPTER	in reverse light switch	1
562379	TUBE 1/4" nylon	)	1
579166	NUT union	) T-piece to adapter	2
579168	FERRULE	)	2
229684	ADAPTER	)	1
146855	WASHER	) In low pressure switch	1
271255	CLIP	)	1
SH604061	SCREW 1/4" UNF	) Electro-pneumatic and relay	1
NH604041	NUT 1/4" UNF	) pipes to frameside	1
WL600041	WASHER lock	)	1
582640	BRACKET	)	1
271255	CLIP	)	1
SH604051	SCREW 1/4" UNF	) Pipes to radiator	1
NH604041	NUT 1/4" UNF	)	1
WL600041	WASHER lock	)	1
271255	CLIP	)	1
SH604051	SCREW 1/4" UNF	) Pipes to 3rd crossmember	1
NH604041	NUT 1/4" UNF	)	1
WL600041	WASHER lock	)	1

Illus. ref.	Part	Description	Quantity per unit
	582502	CLIP support )	1
	271255	CLIP )	1
	SH608071	SCREW 1/2" UNF )	2
	NH608041	NUT 1/2" UNF )	2
	WL600081	WASHER lock ) Pipes to 4th crossmember	2
	SH604061	SCREW 1/4" UNF )	1
	NH604041	NUT 1/4" UNF )	1
	WL600041	WASHER lock )	1
	598373	BRACKET )	1
	271255	CLIP )	1
	SH604061	SCREW 1/4" UNF ) Pipes to front	1
	NH604041	NUT 1/4" UNF ) engine crossmember	1
	WL600041	WASHER lock )	1
	271255	CLIP )	2
	SH604081	SCREW 1/4" UNF )	2
	NH604041	NUT 1/4" UNF ) Pipes to frame	2
	WL600041	WASHER lock )	2
	271255	CLIP )	1
	SH604061	SCREW 1/4" UNF ) Pipes to gearbox	1
	NH604041	NUT 1/4" UNF ) crossmember	1
	WL600041	WASHER lock )	1
	863979	BRACKET )	1

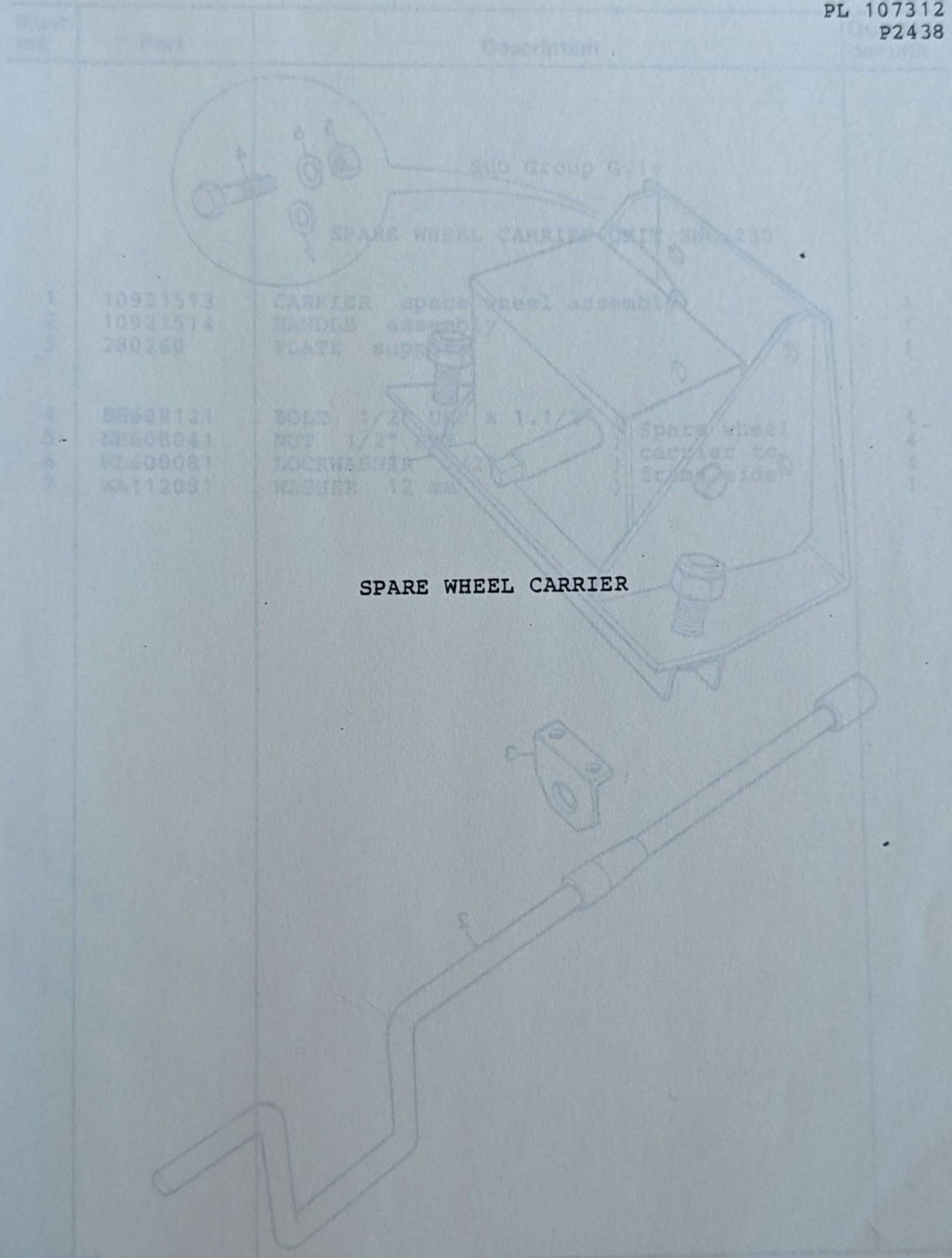
Illus. ref.	Part	Description	Quantity per unit
		Sub Group G.12	
		SILENCER AND EXHAUST UNIT SE.274/3	
		All parts as quoted on unit specification SE.274 with the following exceptions:	
		REPLACEMENT PARTS	
	10893943	BRACKET support replaces 864405	1
		ADDITIONAL PARTS	
	BT608111	BOLT 1/2" UNF )	1
	BT608091	BOLT 1/2" UNF ) Support bracket	1
	NH608041	NUT 1/2" UNF ) to frame	2
	WL600081	WASHER )	2
		PARTS DELETED	
	UFB105/6	BOLT 5/16" UNF )	2
	UFN105	NUT 5/16" UNF ) Support brackets	2
	X75948	WASHER 5/16" lock ) to oil tank brackets	2

SILENCER AND EXHAUST  
SE.274  
PL 104571  
P2325

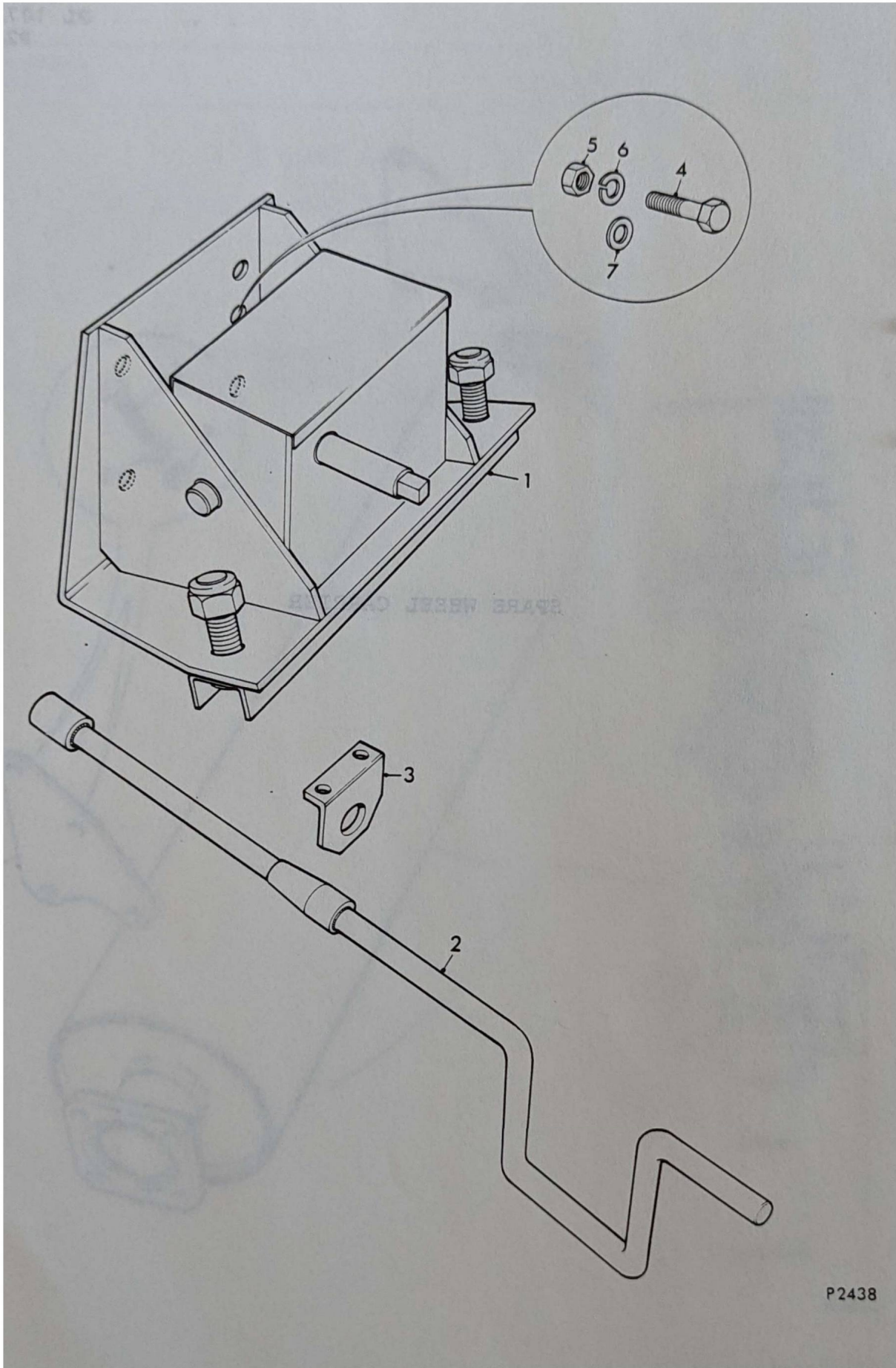
Illus. ref.	Part	Description	Quantity per unit
Sub Group G.12			
SILENCER AND EXHAUST UNIT SE.274			
1	547690	SILENCER	1
2	864405	BRACKET support	2
3	SH605061	SETSCREW 5/16" UNF )	4
4	NH605041	NUT 5/16" UNF )	4
5	WL600051	WASHER 5/16" lock )	4
 <p style="text-align: center;">SPARE WHEEL CARRIER</p>			



P2325



SPARE WHEEL CARRIER



D2200/B08

SPARE WHEEL CARRIER  
SWC.230  
PL 107312

Illust. ref.	Part	Description	Quantity per unit
		Sub Group G.14	
		SPARE WHEEL CARRIER UNIT SWC.230	
1	10921513	CARRIER spare wheel assembly	1
2	10921514	HANDLE assembly	1
3	280260	PLATE support	1
4	BH608121	BOLT 1/2" UNF x 1.1/2" ) Spare wheel	4
5	NH608041	NUT 1/2" UNF ) carrier to	4
6	WL600081	LOCKWASHER 1/2" ) frame side	4
7	WA112081	WASHER 12 mm )	1

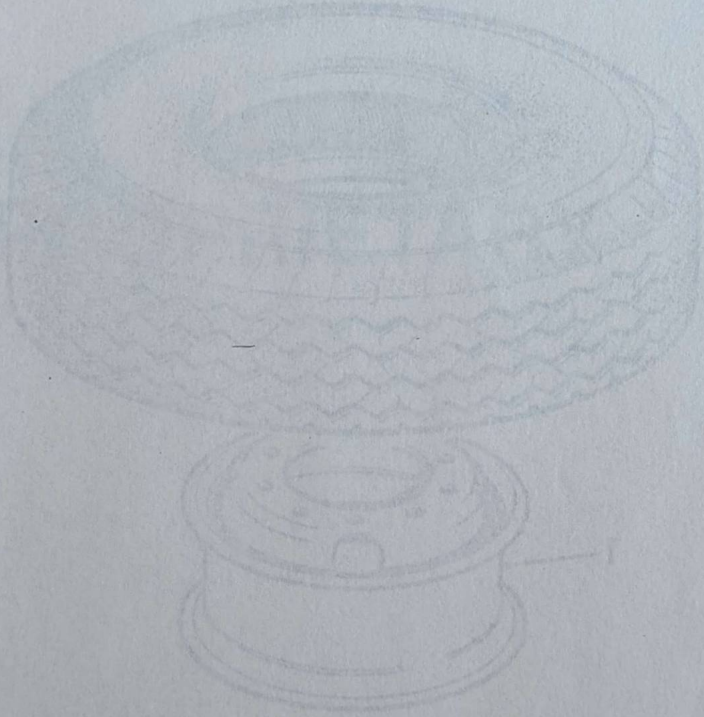
TP/LE/1180\*

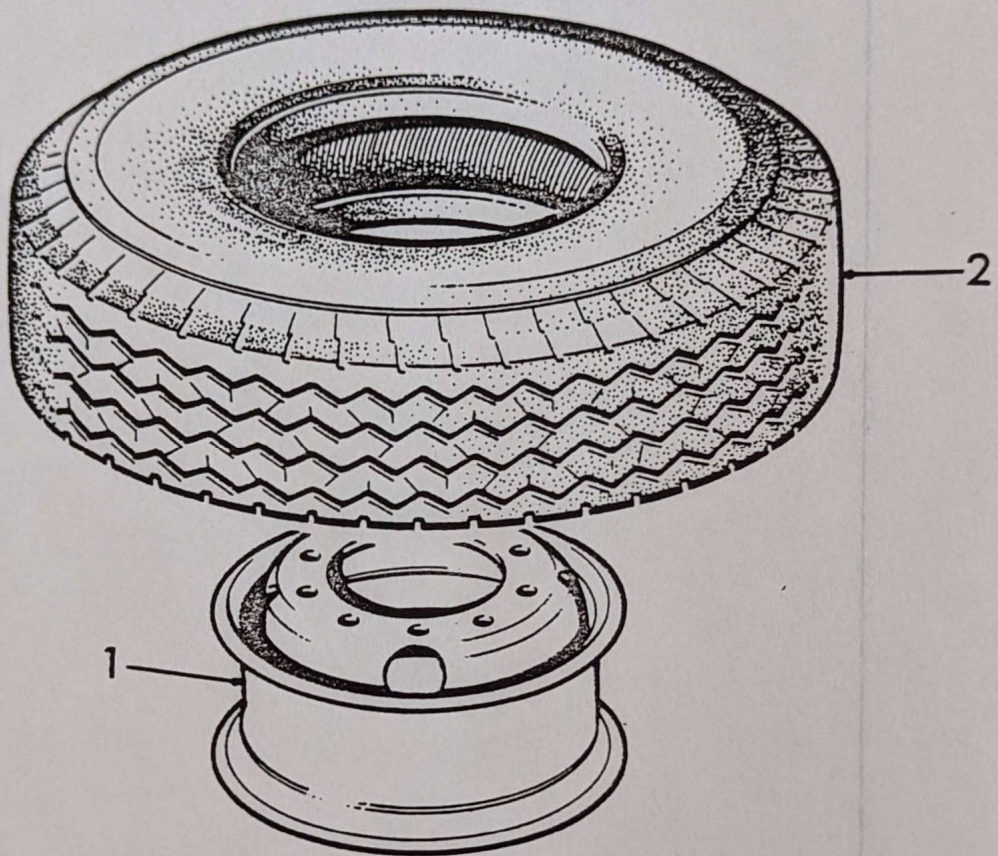
Always quote Chassis No. when ordering parts

G14.3

SPARE WHEEL  
SW.211/64  
PL 103260  
P 2156

Illus. ref.	Part	Description	Quantity per unit
Sub Group G.19			
SPARE WHEEL UNIT SW.211/64			
1	849302	DISC wheel 7.50" x 22.5" x 6.00"	1
2	849641	TYRE 11" x 22.5" radial ply tubeless	1



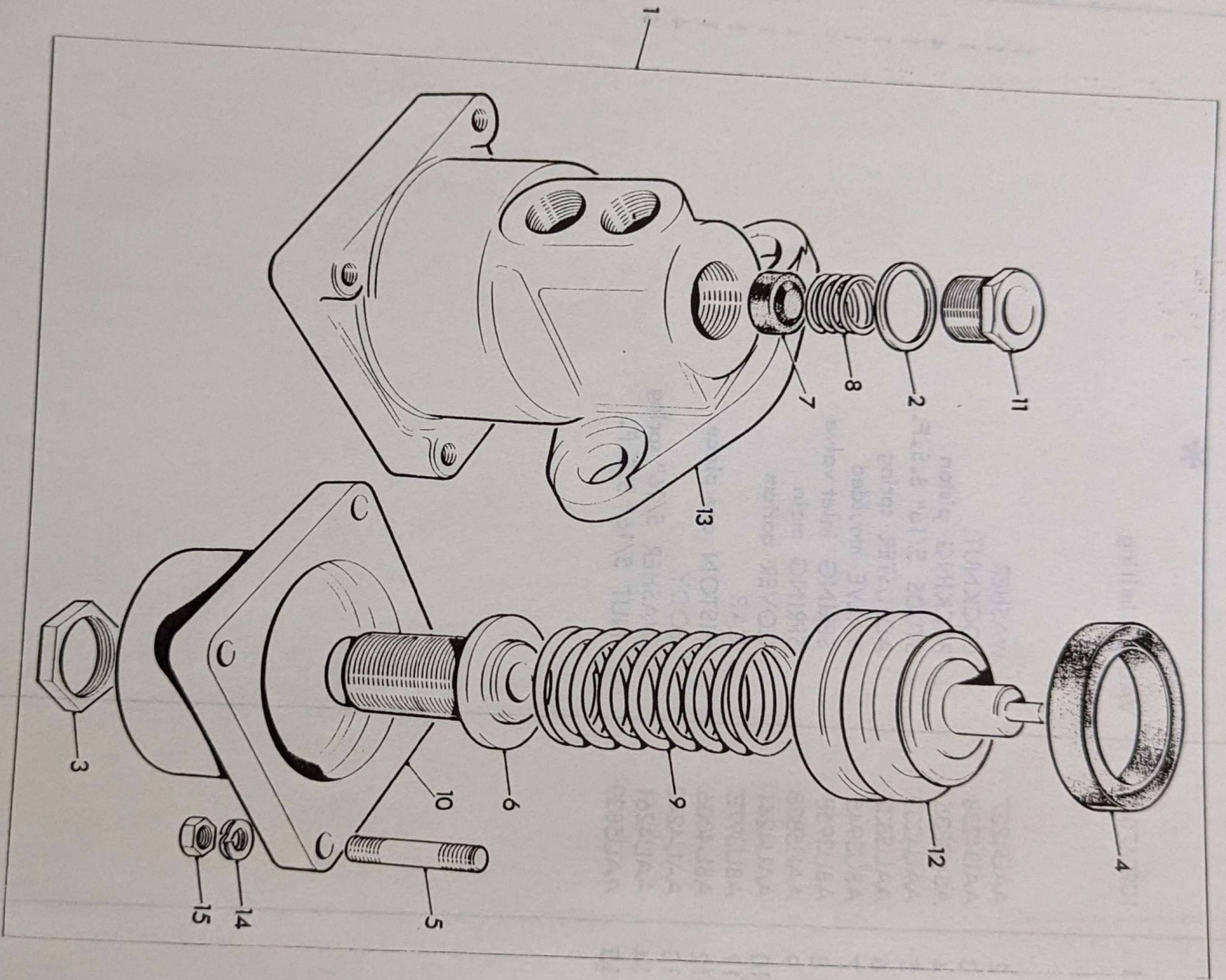


P 2156

**PROPRIETARY**

Part	Description	Group
INDEX		
of Units for		
PROPRIETARY ASSEMBLIES		
<b>P</b>		
Master Unit	Assembly Leypart No.	PL Number
FB.926/3	10924704	301045
	10899098	301046
	10885467	301048
	10898549	301053
	826460	301055
	10866080	301058
	299322/2	301089
	10889962	302754
	10889963	302755
	10901188	305778
	ACU2308 - Service Kit	AAU4881

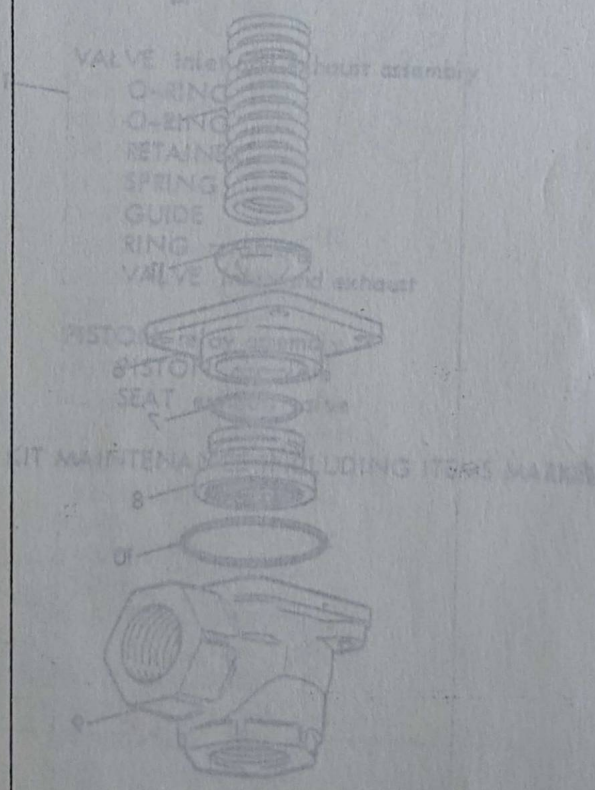
Illus. ref.	Part	Description	Quantity per unit
1	10924704	* VALVE limiting	
2	AAU4237	WASHER	1
3	AAU4238	LOCKNUT	1
4	ABU3835	PACKING piston	1
5	AAU4239	STUDS 5/16" B.S.F.	4
6	AAU5837	ADJUSTER spring	1
7	ABU3945	VALVE moulded	1
8	ABU3958	SPRING inlet valve	1
9	AAU5838	SPRING main	1
10	AAU4241	COVER bottom	1
11	ABU3972	CAP	1
12	ABU4006	PISTON one piece	1
13	AAU4242	BODY	1
14	AAU4261	WASHER 5/16" spring	4
15	AAU5839	NUT 5/16" B.S.F.	4

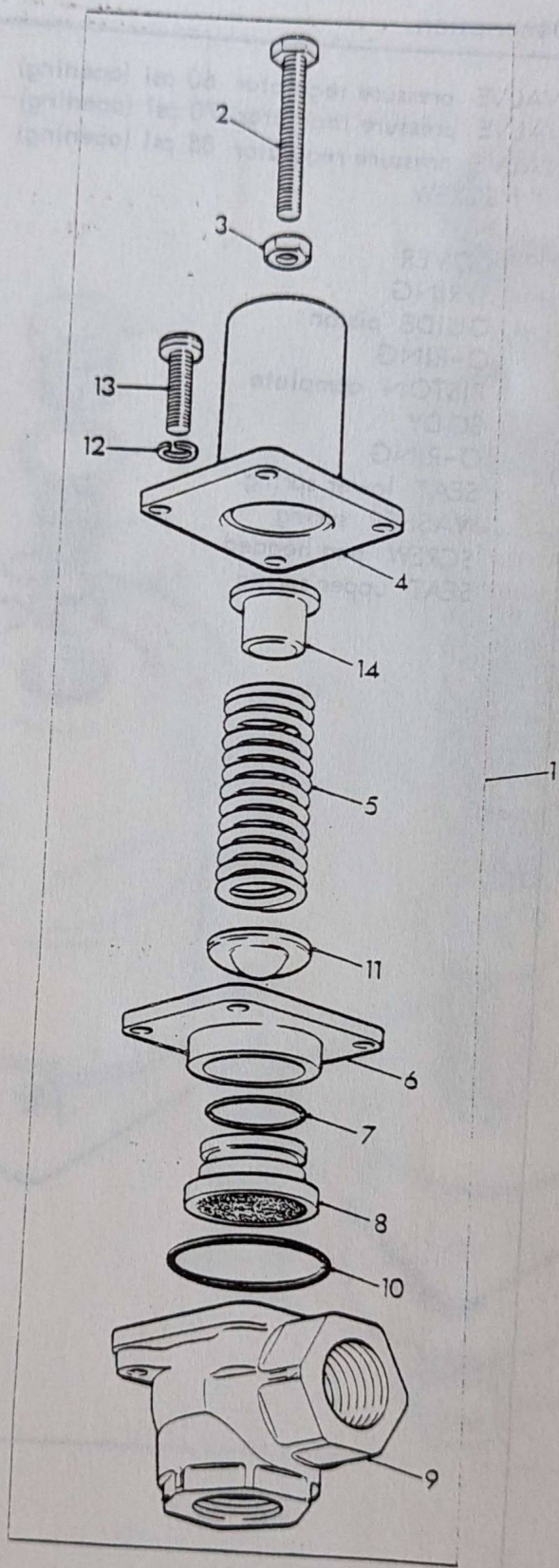


VALVE PRESSURE REGULATOR  
10934319 10899098 & 10911201

PL 301046  
P.1869

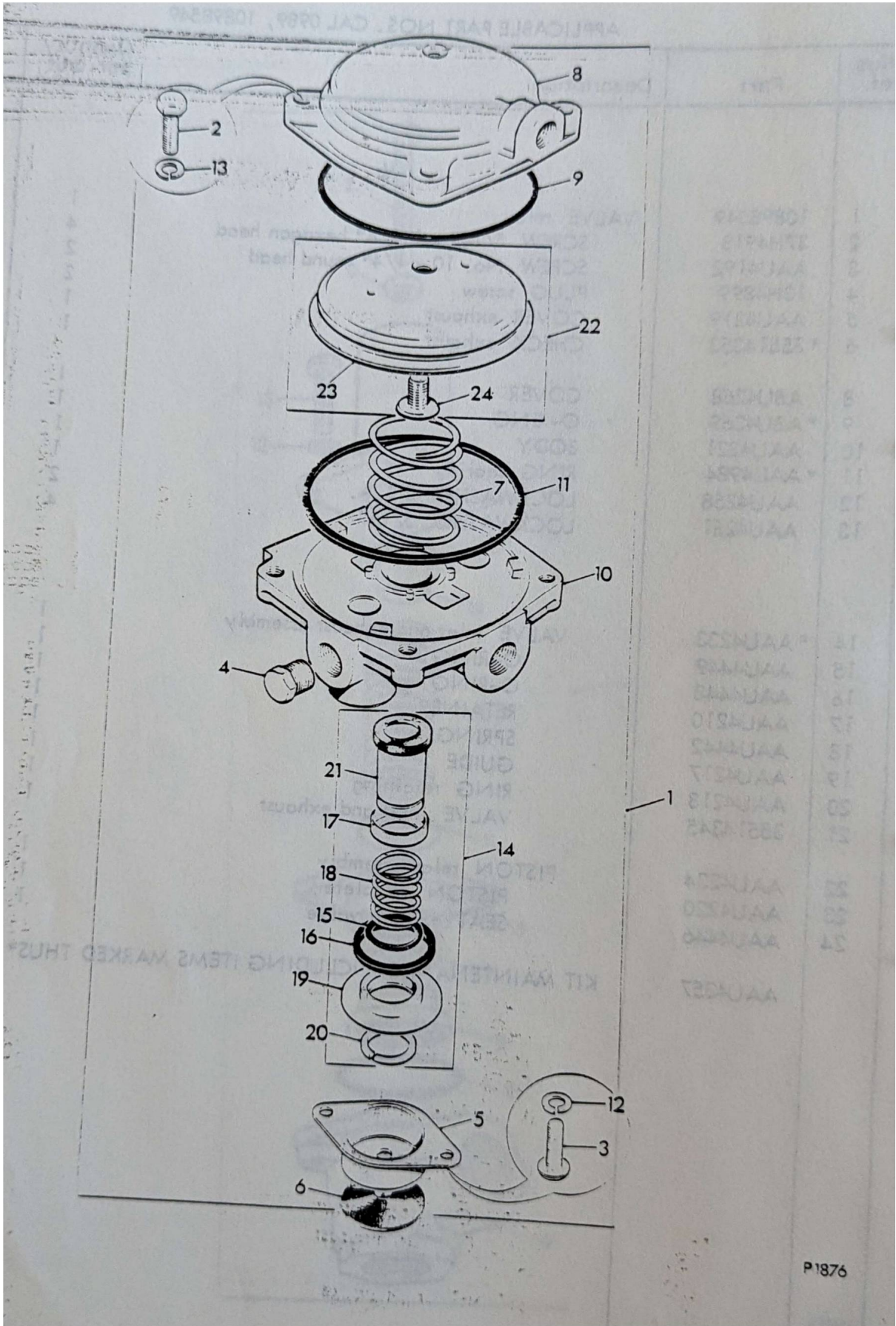
Illus. ref.	Part	Description	Quantity per unit
(	10934319	VALVE pressure regulator 60 psi (opening)	
1 (	10899098	VALVE pressure regulator 70 psi (opening)	
(	10911201	VALVE pressure regulator 85 psi (opening)	
2	AAU4264	SCREW	1
3	AAU4263	NUT	1
4	AAU4325	COVER	1
5	ABU4059	SPRING	1
6	AAU4309	GUIDE piston	1
7	AAU4253	O-RING	1
8	AAU4307	PISTON complete	1
9	AAU4324	BODY	1
10	ABU4040	O-RING	1
11	AAU4308	SEAT lower spring	1
12	AAU4259	WASHER spring	4
13	AAU4265	SCREW pan headed	4
14	27H6448	SEAT upper spring	1





APPLICABLE PART NOS. CAL 0989, 10898549

Illus. ref.	Part	Description	Quantity per unit
		*	
1	10898549	VALVE relay	1
2	37H4918	SCREW 5/16" x 1.1/4" hexagon head	4
3	AAU4192	SCREW No. 10 x 1/4" round head	2
4	13H4899	PLUG screw	2
5	AAU4219	COVER exhaust	1
6	* 35514353	CHECK exhaust	1
8	ABU4268	COVER	1
9	* ABU4269	O-RING	1
10	AAU4221	BODY	1
11	* AAU4984	RING sealing	1
12	AAU4258	LOCKWASHER 2 B.A.	2
13	AAU4261	LOCKWASHER 5/16"	4
14	* AAU4233	VALVE inlet and exhaust assembly	1
15	AAU4449	O-RING	1
16	AAU4448	O-RING	1
17	AAU4210	RETAINER	1
18	AAU4442	SPRING	1
19	AAU4217	GUIDE	1
20	AAU4218	RING retaining	1
21	35514345	VALVE inlet and exhaust	1
22	AAU4234	PISTON relay assembly	1
23	AAU4220	PISTON complete	1
24	AAU4446	SEAT exhaust valve	1
	AAU4357	KIT MAINTENANCE INCLUDING ITEMS MARKED THUS*	



VALVE DUAL BRAKE  
10885467  
PL 301048  
P1872

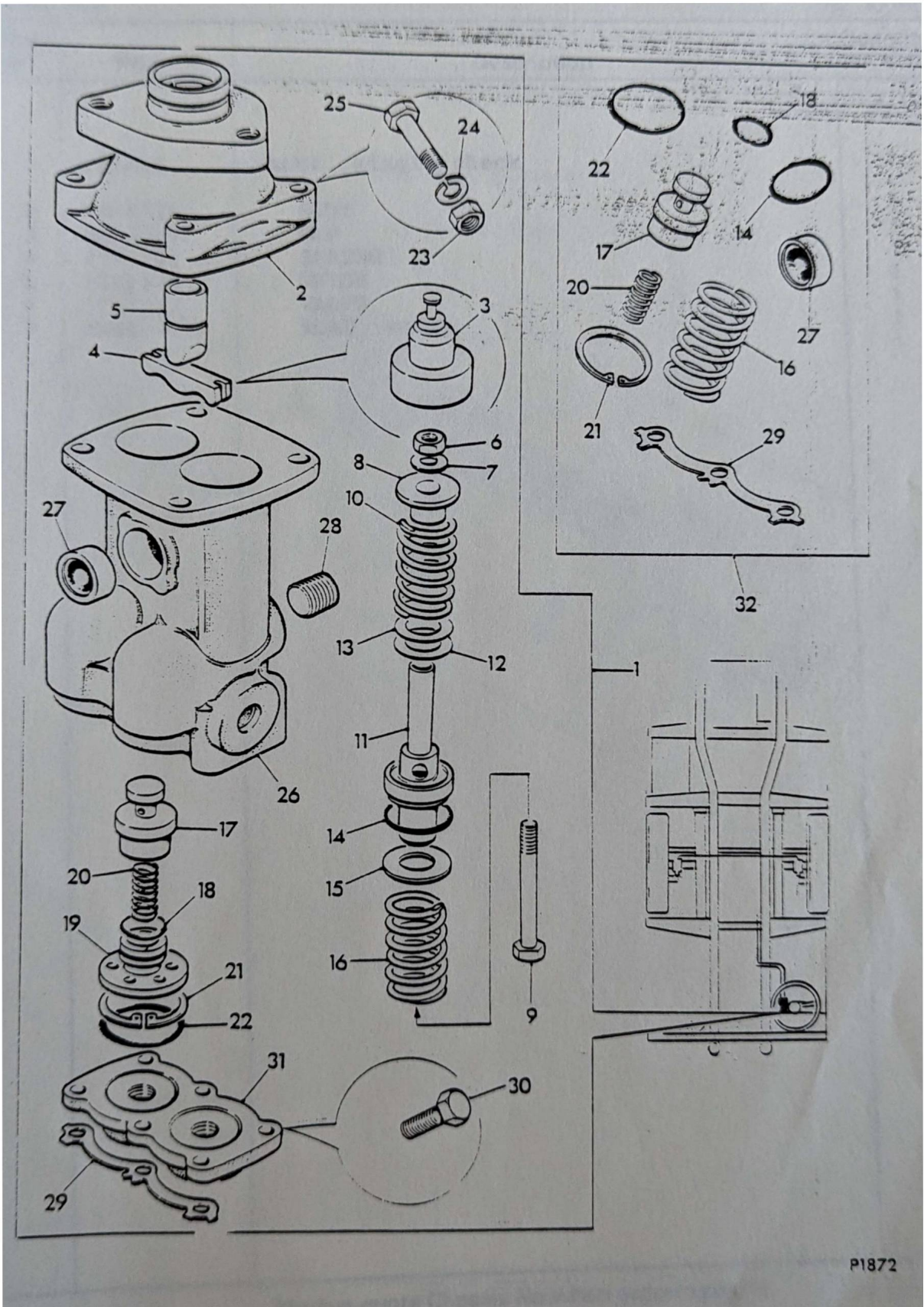
Illus. ref.	Part	Description	Quantity per unit
1	10885467	* VALVE dual brake (Westinghouse Ref.K930/3)	
2	AAU4328	COVER mounting	1
3	AAU4304	PLUNGER operating complete	1
4	AAU4301	LINK	1
5	AAU4283	PLUNGER complete	2
6	AAU4224	NUT	2
7	AAU4361	WASHER	2
8	AAU4303	RETAINER graduating spring	2
9	AAU4223	BOLT	2
10	AAU4269	SPRING graduating	2
11	AAU4321	PISTON	2
12	AAU4277	SHIM	as reqd.
13	AAU4278	SHIM	"
14	AAU4207	O-RING	2
15	AAU4302	WASHER	2
16	AAU4270	SPRING piston return	2
17	AAU5853	VALVE inlet/exhaust	2
18	AAU4252	O-RING	2
19	AAU4305	GUIDE inlet valve	2
20	47H5698	SPRING inlet valve	2
21	AAU4225	CIRCLIP	2
22	AAU4251	O-RING	2
23	AAU5433	NUT	4
24	AAU5431	WASHER	4
25	AAU4244	BOLT 5/16" UNF	4
26	AAU4327	BODY	1
27	ABU4168	VALVE check complete	1
28	AAU4250	PLUG	2
29	AAU4311	WASHER tab	2
30	AAU4255	SCREW	6
31	AAU4322	MANIFOLD inlet	1
32	18G8994	REPAIR KIT comprising	1
14	AAU4207	O-RING	2
16	AAU4270	SPRING piston return	2
17	AAU5853	VALVE inlet/exhaust	2
18	AAU4252	O-RING	2
20	47H5698	SPRING inlet valve	2

10885467 VALVE DUAL  
 PL 301048

Illus. ref.	Part	Description	Quantity per unit
21	AAU4225	CIRCLIP	2
22	AAU4251	O-RING	2
27	AAU4313	VALVE check complete	1
29	AAU4311	WASHER tab	2
<p>Ø NOTE: Order ABU4219 for matched pair piston assembly</p>			
		LINK	4
		PLUNGER complete	2
		NUT	6
		WASHER	7
		RETAINER (mounting frame)	8
		BOLT	9
		SPRING (exhaust)	10
		PISTON	11
		SHIM	12
		SHIM	13
		O-RING	14
		WASHER	15
		SPRING piston return	16
		VALVE inlet/exhaust	17
		O-RING	18
		GUIDE inlet valve	19
		SPRING inlet valve	20
		CIRCLIP	21
		O-RING	22
		NUT	23
		WASHER	24
		BOLT	25
		BODY	26
		VALVE check complete	27
		PULL	28
		WASHER top	29
		SCREW	30
		MANIFOLD inlet	31
		REPAIR KIT complete	32
		O-RING	33
		SPRING piston return	34
		VALVE inlet/exhaust	35
		O-RING	36
		SPRING inlet valve	37

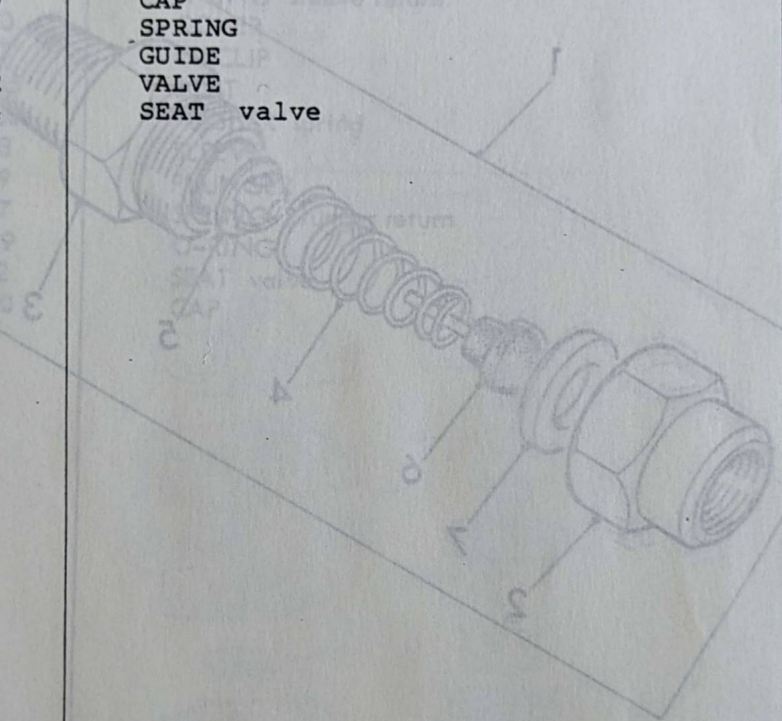
Always quote Chassis No. when ordering parts

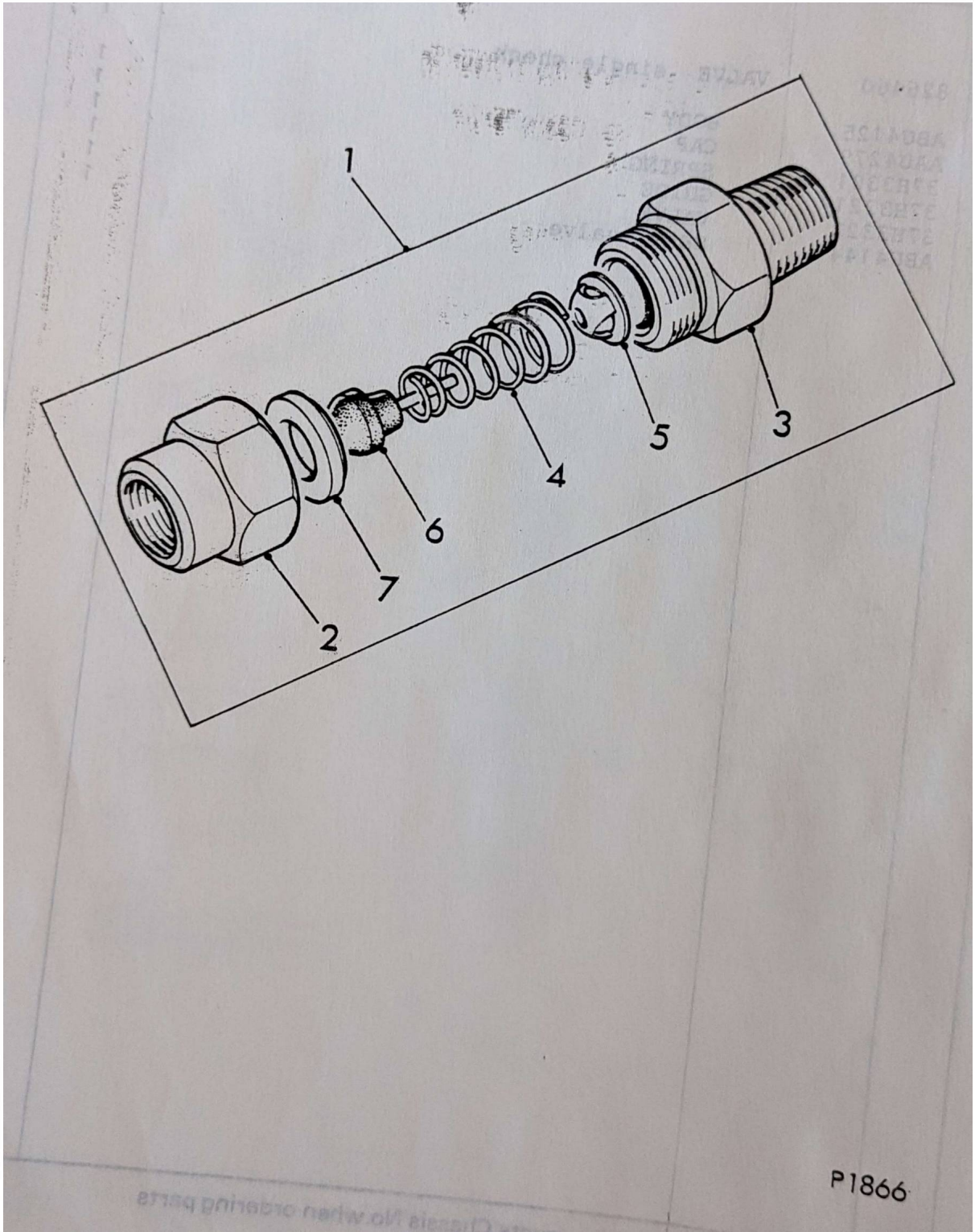
TP/0776\*



D204/A20

Illust. ref.	Part	Description	Quantity per unit
1	826460	VALVE single check	1
2	ABU4125	BODY	1
3	AAU4279	CAP	1
4	37H3301	SPRING	1
5	37H3321	GUIDE	1
6	37H3322	VALVE	1
7	ABU4144	SEAT valve	1

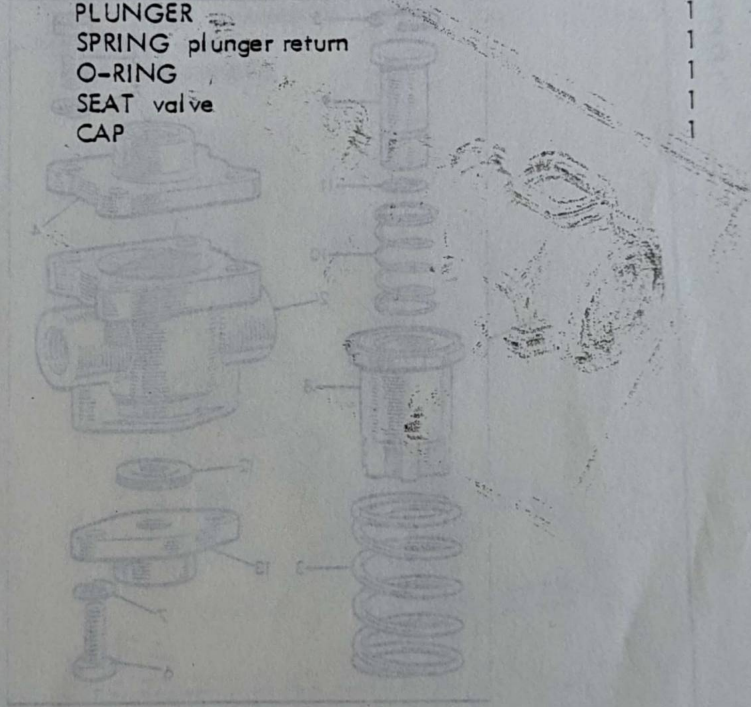


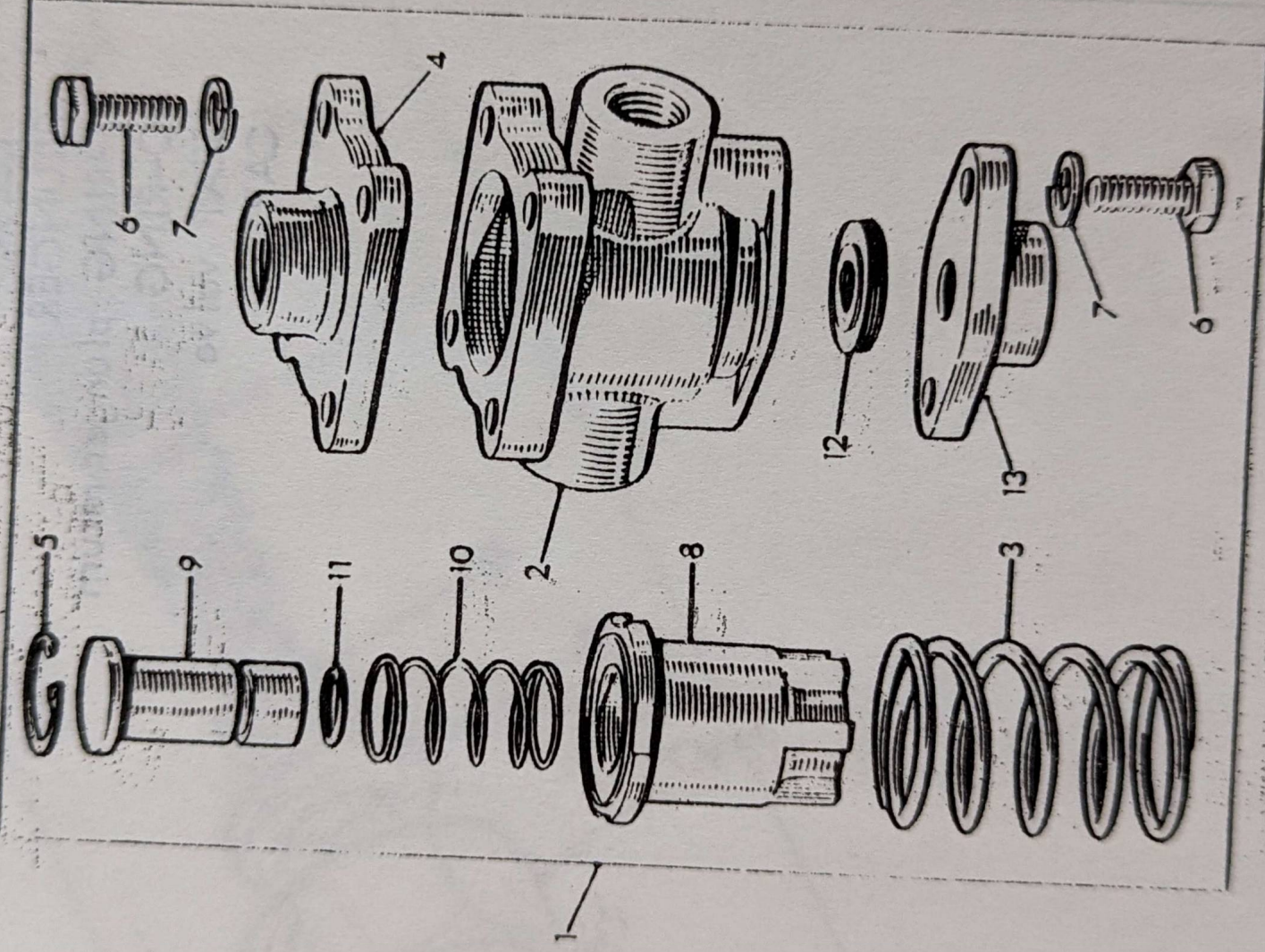


P1866

VALVE DIFFERENTIAL  
PROTECTION  
10866080  
PL 301058  
P1870

Illus. ref.	Part	Description	Quantity per unit
		*	
1	10866080	VALVE differential protection	1
2	AAU4318	BODY	1
3	37H3299	SPRING sleeve return	1
4	37H3320	COVER	1
5	37H3377	CIRCLIP	1
6	AAU4255	BOLT	6
7	AAU4260	WASHER spring	6
8	37H3328	SLEEVE	1
9	37H3319	PLUNGER	1
10	37H3297	SPRING plunger return	1
11	ABU4039	O-RING	1
12	37H3302	SEAT valve	1
13	ABU1850	CAP	1





02810

BRAKE CHAMBER  
 PL 301089  
 P1874

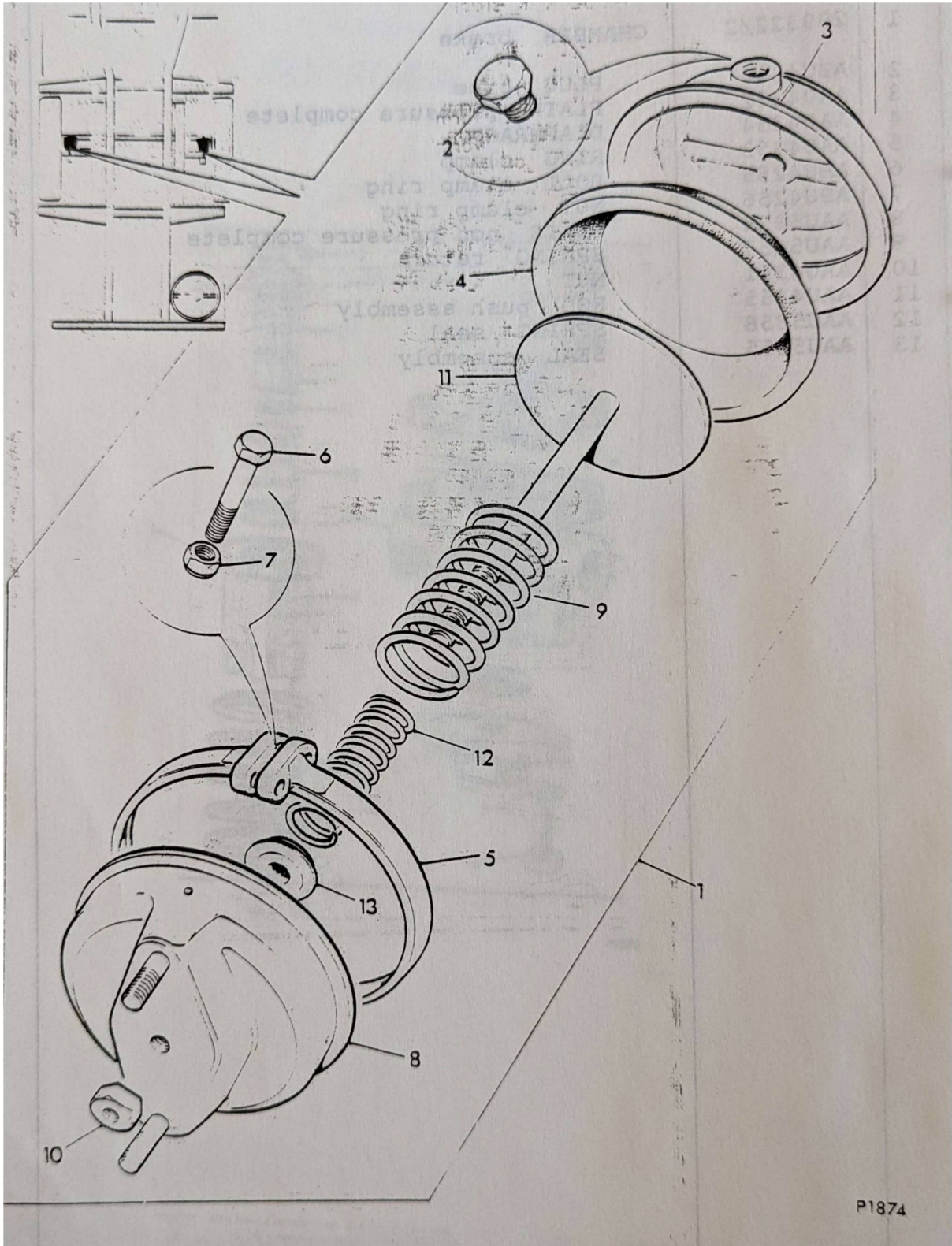
APPLICABLE PART NOS. 513363/2, 299322/2

Illust. ref.	Part	Description	Quantity per unit
1	299322/2	CHAMBER brake	2
2	ABU4240	PLUG pipe	2
3	AAU4352	PLATE pressure complete	2
4	AAU4354	DIAPHRAGM	2
5	AAU4353	RING clamp	2
6	ABU4255	BOLT clamp ring	4
7	ABU4256	NUT clamp ring	4
8	AAU5856	PLATE non pressure complete	2
9	AAU5857	SPRING return	2
10	AAU4351	NUT	6
11	AAU4355	ROD push assembly	2
12	AAU5858	SPRING seal	2
13	AAU5855	SEAL assembly	2

TP/1178\*

Always quote Chassis No. when ordering parts

1



Illus. ref.	Part	Description	Quantity per unit
	10889962	ADJUSTER slack	1
	ZZL2871	HOUSING	1
	ZZL2851	BUSHING	1
	ZZL2857	WHEEL worm	1
	ZZL2883	SCREW worm	1
	ZZL2872	KIT gasket	1
	ZZL2852	BEARING	1
	ZZL2877	CLUTCH one way	1
	ZZL2853	BEARING needle	1
	ZZL2859	COVER screw front	1
	ZZL2875	RACK	1
	ZZL2861	KIT spring return	1
	ZZL2862	KIT washer	1
	ZZL2863	DISC pressure	1
	ZZL2853	BEARING needle	1
	ZZL2864	COVER screw rear	1
	ZZL2881	UNIT control	1
	ZZL2854	KIT screw cross slotted	1
	ZZL2855	NIPPLE grease	1
	ZZL2856	PLUG	1
	ZZL2865	RIVET	5

Illus. ref.	Part	Description	Quantity per unit
	10889963	SLACK ADJUSTER	2
	ZZL2869	HOUSING	1
	ZZL2851	BUSHING	1
	ZZL2857	WHEEL worm	1
	ZZL2883	SCREW worm	1
	ZZL2872	KIT gasket	1
	ZZL2852	BEARING	1
	ZZL2877	CLUTCH one way	1
	ZZL2853	BEARING needle	1
	ZZL2859	COVER screw front	1
	ZZL2875	RACK	1
	ZZL2861	KIT spring return	1
	ZZL2862	KIT washer	1
	ZZL2863	DISC pressure	1
	ZZL2853	BEARING needle	1
	ZZL2864	COVER screw rear	1
	ZZL2881	UNIT control	1
	ZZL2854	KIT screw cross slotted	1
	ZZL2855	NIPPLE grease	1
	ZZL2856	PLUG	1
	ZZL2865	RIVET	5

SLACK ADJUSTER  
 10901188  
 PL 305778

D506/A26

Illust. ref.	Part	Description	Quantity per unit
	10901188	SLACK ADJUSTER	1
	ZZL2851	BUSH	1
	ZZL2857	WHEEL worm	1
	ZZL2858	SCREW worm	1
	ZZL2872	KIT gasket	1
	ZZL2852	BEARING	1
	ZZL2877	CLUTCH one way	1
	ZZL2853	BEARING needle	2
	ZZL2859	SCREW cover front	1
	ZZL2875	RACK	1
	ZZL2861	KIT spring return	1
	ZZL2862	KIT washer Belleville	1
	ZZL2863	DISC pressure	1
	ZZL2864	SCREW cover rear	1
	ZZL2879	UNIT control for type 582-583	1
	ZZL2878	UNIT control for type 624	1
	ZZL2854	KIT screw cross slotted	1
	ZZL2855	NIPPLE grease	1
	ZZL2856	PLUG	1
	ZZL2865	RIVET	2
	ZZL2876	PLATE including self cutting screws	1